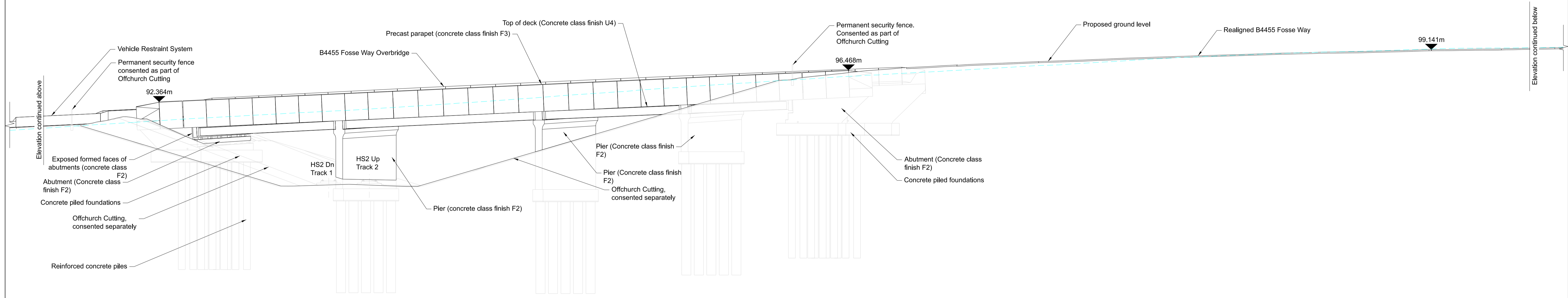
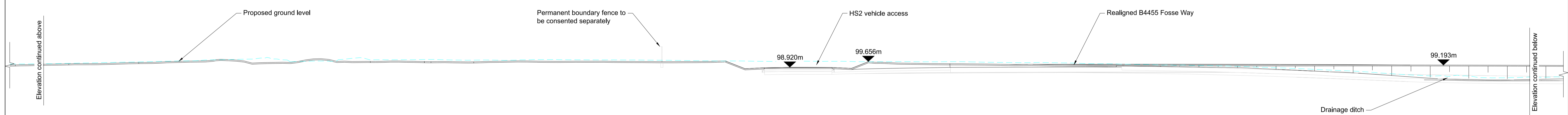


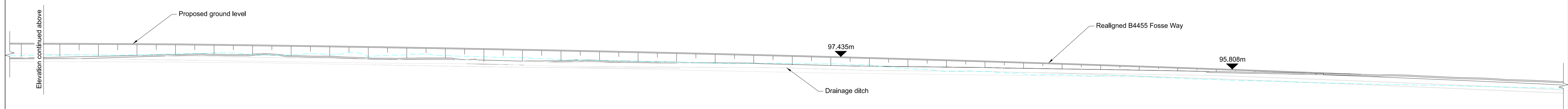
**Elevation A**  
 Refer to Drawing No: 1MC08-BBV\_MSD-PL-DGA-NS01\_NL02-131402  
 Scale 1:250 @ A1



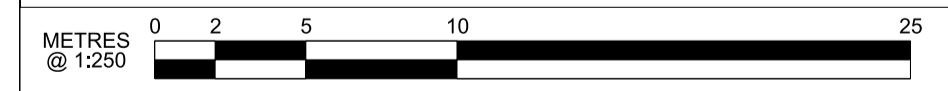
**Elevation A continued**  
 Refer to Drawing No: 1MC08-BBV\_MSD-PL-DGA-NS01\_NL02-131402  
 Scale 1:250 @ A1



**Elevation A continued**  
 Refer to Drawing No: 1MC08-BBV\_MSD-PL-DGA-NS01\_NL02-131402  
 Scale 1:250 @ A1



**Elevation A continued**  
 Refer to Drawing No: 1MC08-BBV\_MSD-PL-DGA-NS01\_NL02-131402  
 Scale 1:250 @ A1



Rev	Description	Drawn	Checked	Approved	Con App	Scale with caution as distortion can occur.
C01	For HS2 Acceptance	MHOP	SGAI	NBEA	AFIN	HS2 accepts no responsibility for any circumstances which arise from the reproduction of this document after alteration, amendment or abbreviation or if it is issued in part or issued incompletely in any way.
P05	Fit for Stage Acceptance	MHOP	SGAI	NBEA	---	© Crown Copyright and database right 2018. All rights reserved. Ordnance Survey Licence number 100049190
P04	Issued for Acceptance	CMCN	SGAI	TAKE	---	© Crown Copyright material is reproduced with the permission of Land Registry under delegated authority from the Controller of HMSO.
P03	Issued for Acceptance	AGIN	SGAI	NBEA	---	This material was last updated on 2018 and may not be copied, distributed, sold or published without the formal permission of Land Registry. Only an official copy of a title plan or register obtained from the Land Registry may be used for legal or other official purposes.
P02	Issued for Acceptance	SBAR	SGAI	JMBO	---	

Legends/Notes:	
	Existing ground level
	Earthworks
	Works for approval
	Height APD

Registered in England: Registration No. 06791686  
 Registered office: 2 Snow Hill, Queensway, Birmingham, B4 6GA

**Official**

Creator/Originator  
 Balfour Beatty VINCI

Project/Contract				
(N1) Long Itchington Wood Tunnel to Birmingham Interchange Station				
Zone	Ufton To Cubbington	Drawn	Checked	Approved
		MHOP	SGAI	NBEA
Drawing Title	B4455 Fosse Way Overbridge	Date	Scale	Size
	HS2 Consent ID: WAC.PS.10043	05/02/24	1:250	A1
	Elevations - Sheet 1 of 2	Deliverable	Gate	Suitability
	Schedule 17	Yes (MIDP)	DD	S4
		Drawing No.		Rev.
		1MC08-BBV_MSD-PL-DEL-NS01_NL02-131403		C01

**For Approval**

This document is issued for the party which commissioned it and for specific purposes connected with the captioned project only. It should not be relied upon by any other party or used for any other purpose. We accept no responsibility for the consequences of this document being relied upon by any other party, or being used for any other purpose, or containing any error or omission which is due to an error or omission in data supplied to us by other parties.

© Copyright Controller HMSO 2018. This material is published for High Speed Two (HS2) Limited with the permission of the Controller of Her Majesty's Stationery Office. The work reported herein was carried out under a deed placed on 01/08/2017 by High Speed Two (HS2) Limited and should not be relied upon as authoritative by any third party. This report shall not be copied or reproduced in whole or in part except with the express consent of High Speed Two (HS2) Limited.