



SURVEY MANUAL

MK V ALUMINIUM CASEMENT


DIRECT FIXED SYSTEMS

SECTION B

SECTIONAL DETAILS

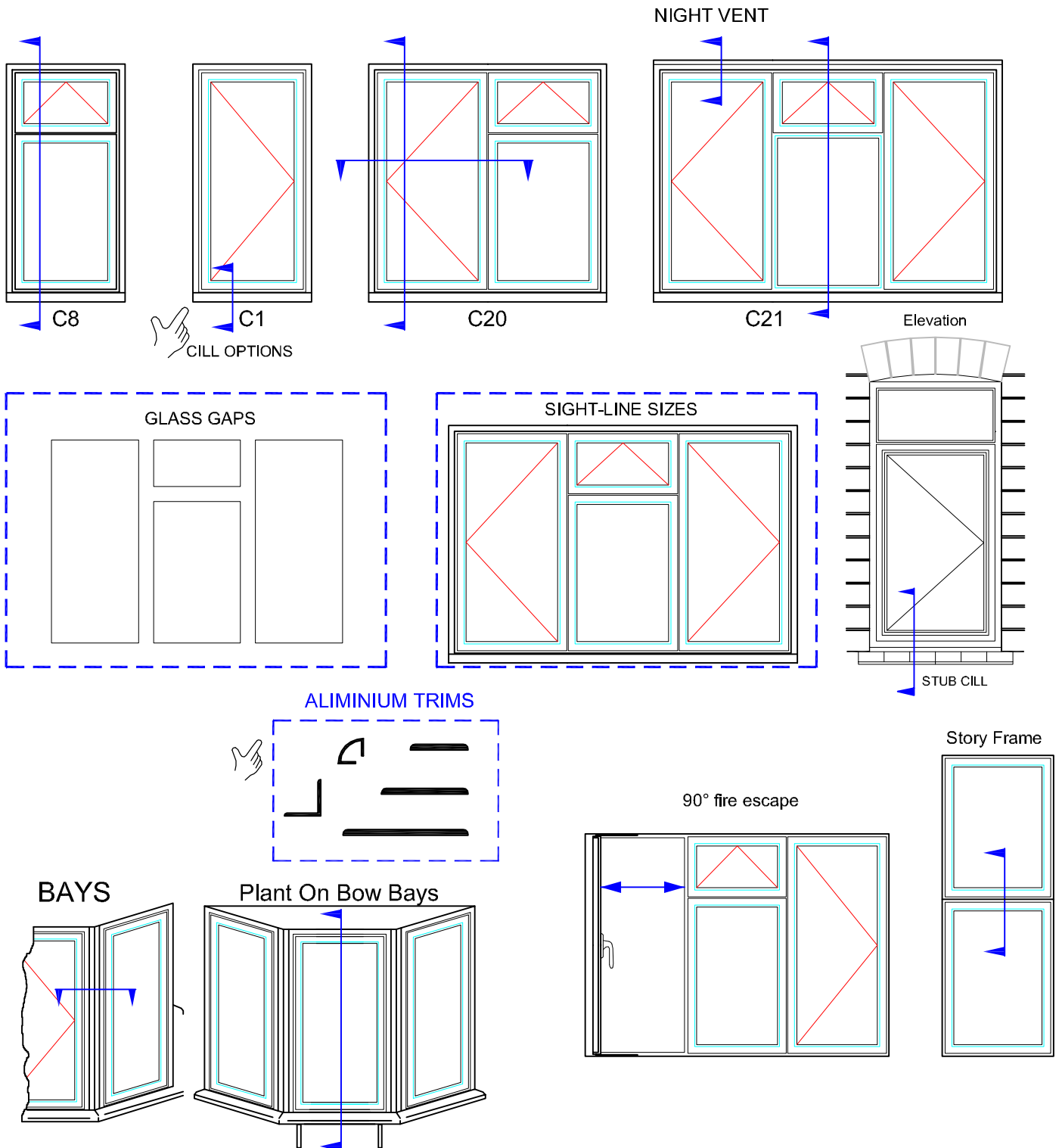


Elevation Page

Click on..  Blue section tags below to bring up the required section detail drawing.

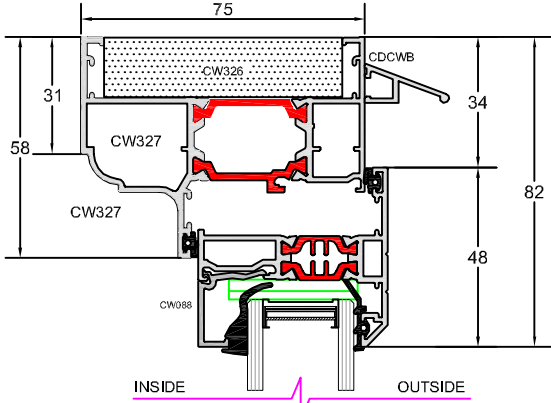
 Return to Top Page

Glass engagement for this product is 12.5mm

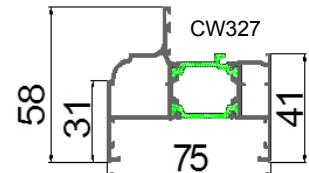
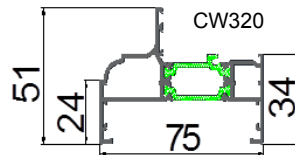
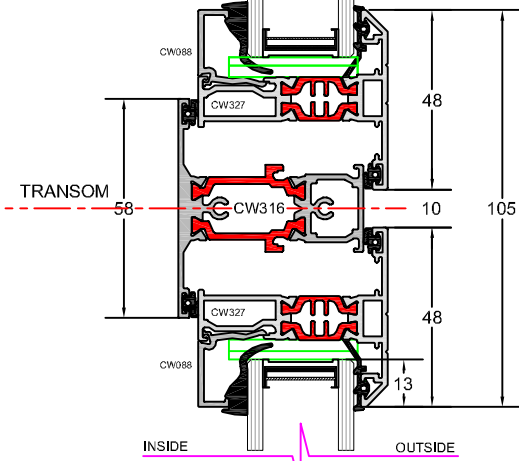
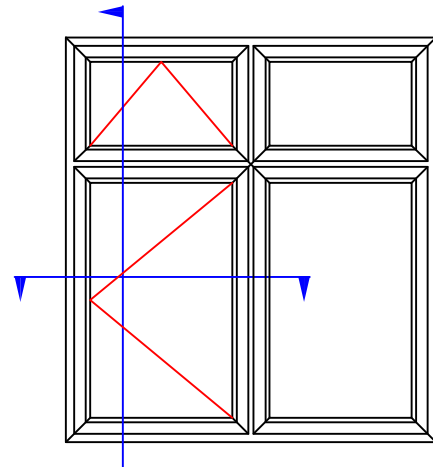


Return to Top Page

Return to Elevation Page

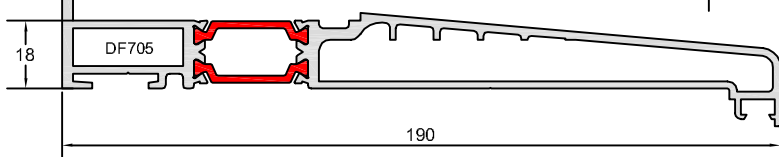
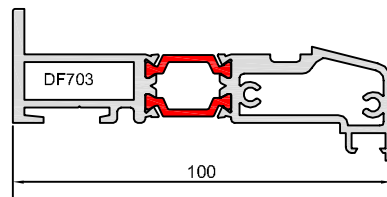
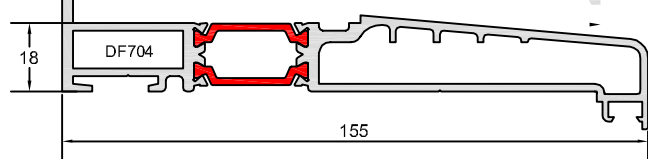
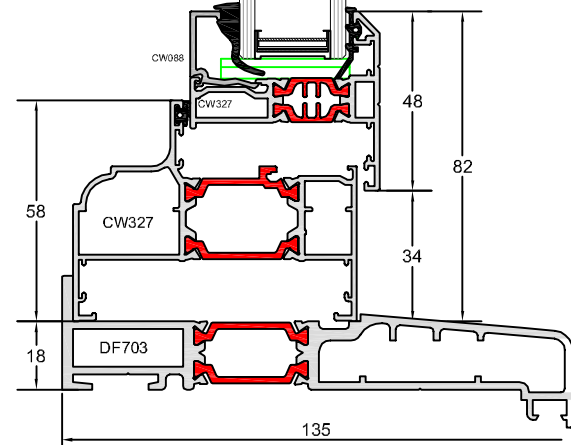
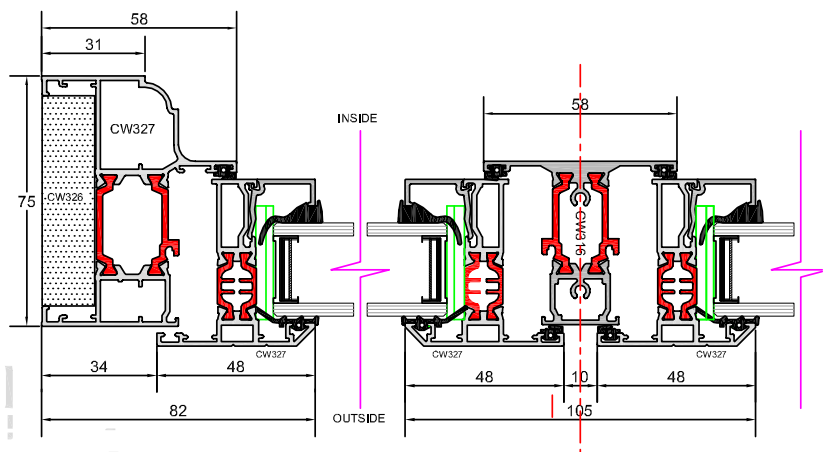


scale 1:2

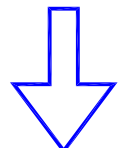


There's 2 outer frame options slim (CW320) & standard (CW327), there's a 7mm height difference between them, offering a larger glass line with the slim outer frame, but external survey points remain the same.

Jamb



Un-equal sight-line version

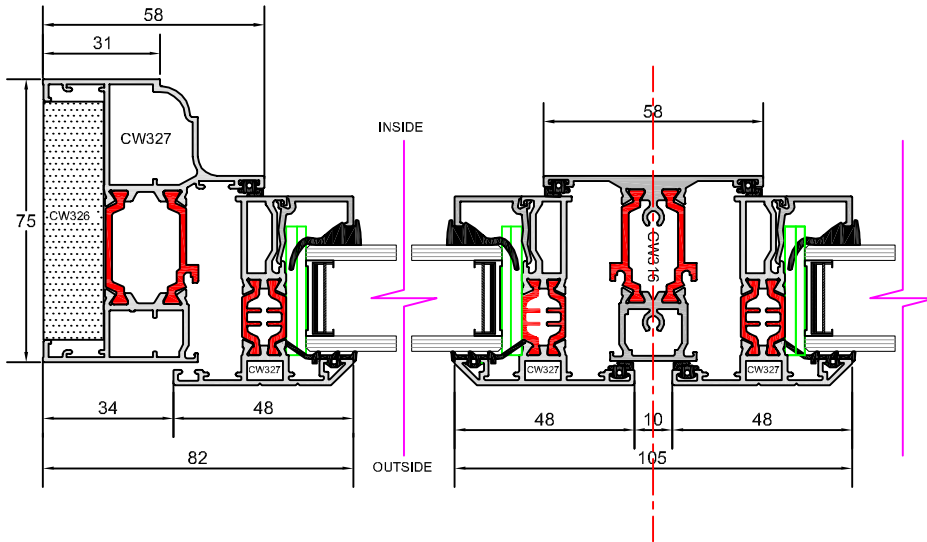


HORIZONTAL SECTION JAMB AND MULLIONS

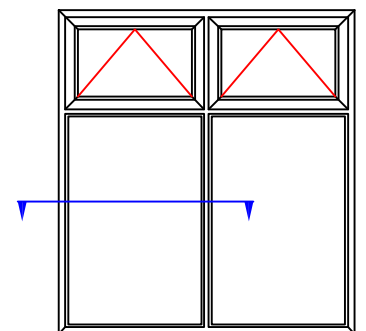
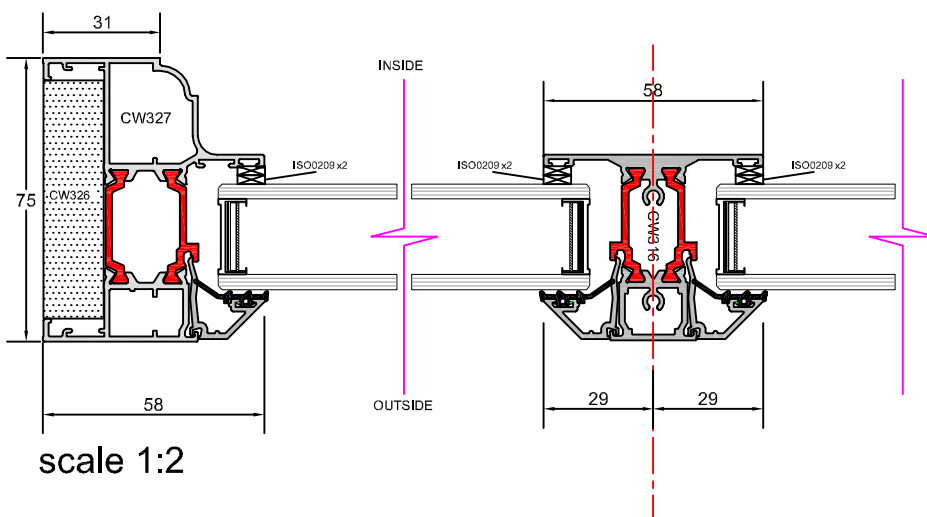
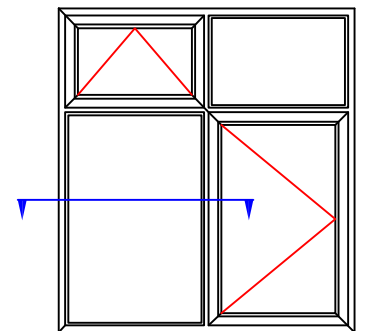
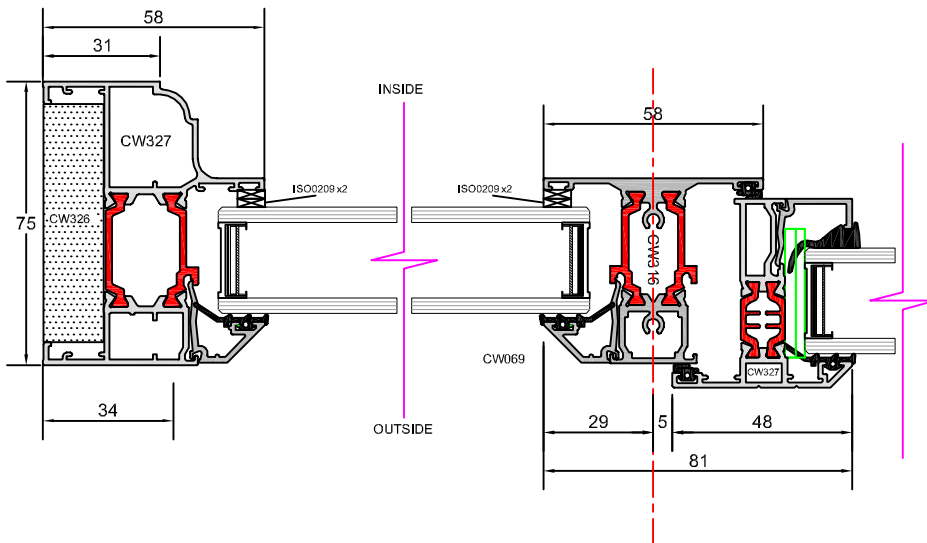
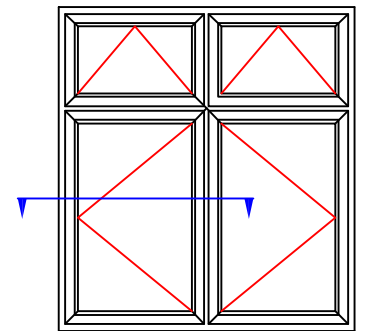
NOTE: All Aluminium windows direct fixed and into timber sub-frames are sold as equal sight-lines and therefore all are internally beaded. Although SDC will allow you to input a un-equal sight-line window, it is imperative that the customer is made aware of an external bead on the fixed light.

[Return to Top Page](#)

[Return to Elevation Page](#)



Vertical section detail



scale 1:2

VERTICAL SECTIONS TRANSOMS

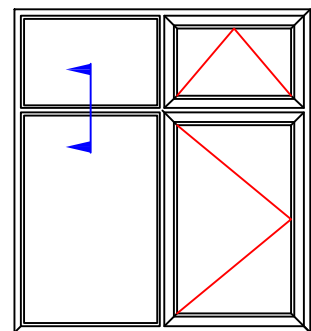
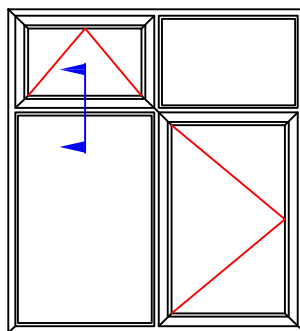
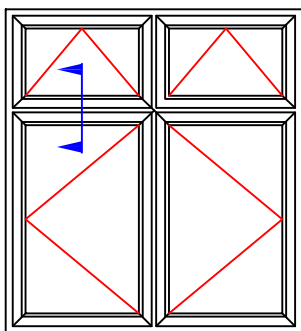
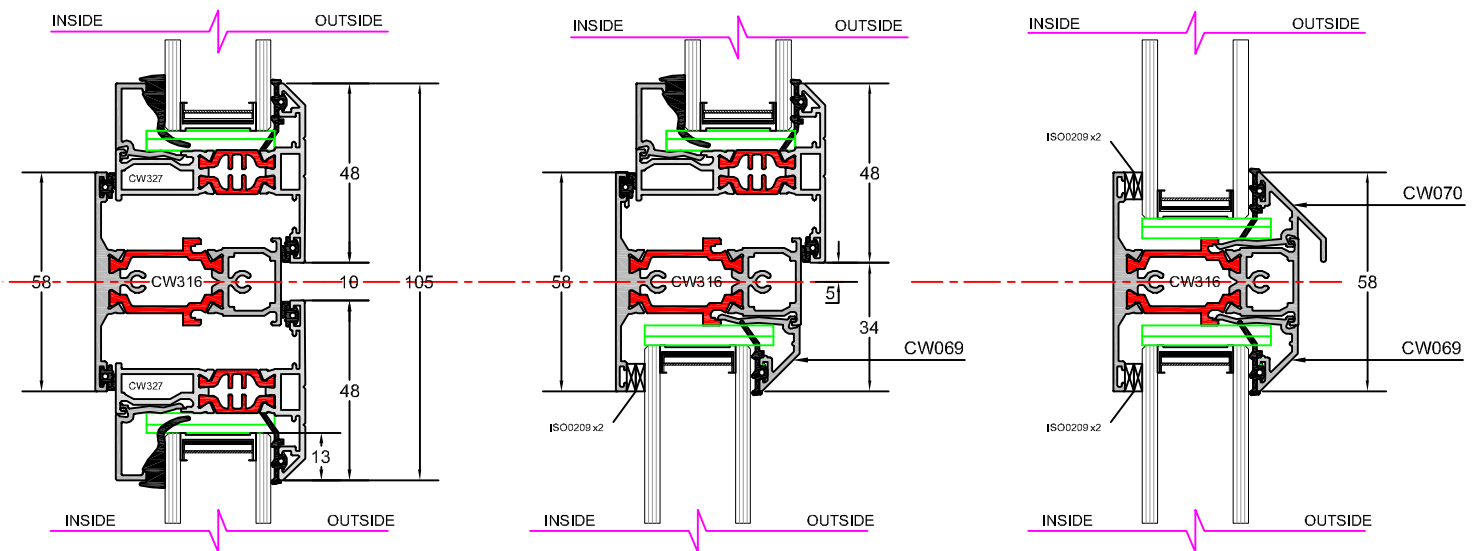


Return to Top Page



Return to Elevation Page

NOTE: All Aluminium windows direct fixed and into timber sub-frames are sold as equal sight-lines and therefore all are internally beaded. Although SDC will allow you to input a un-equal sight-line window, it is imperative that the customer is made away of an external bead on the fixed light.



Scale 1:2

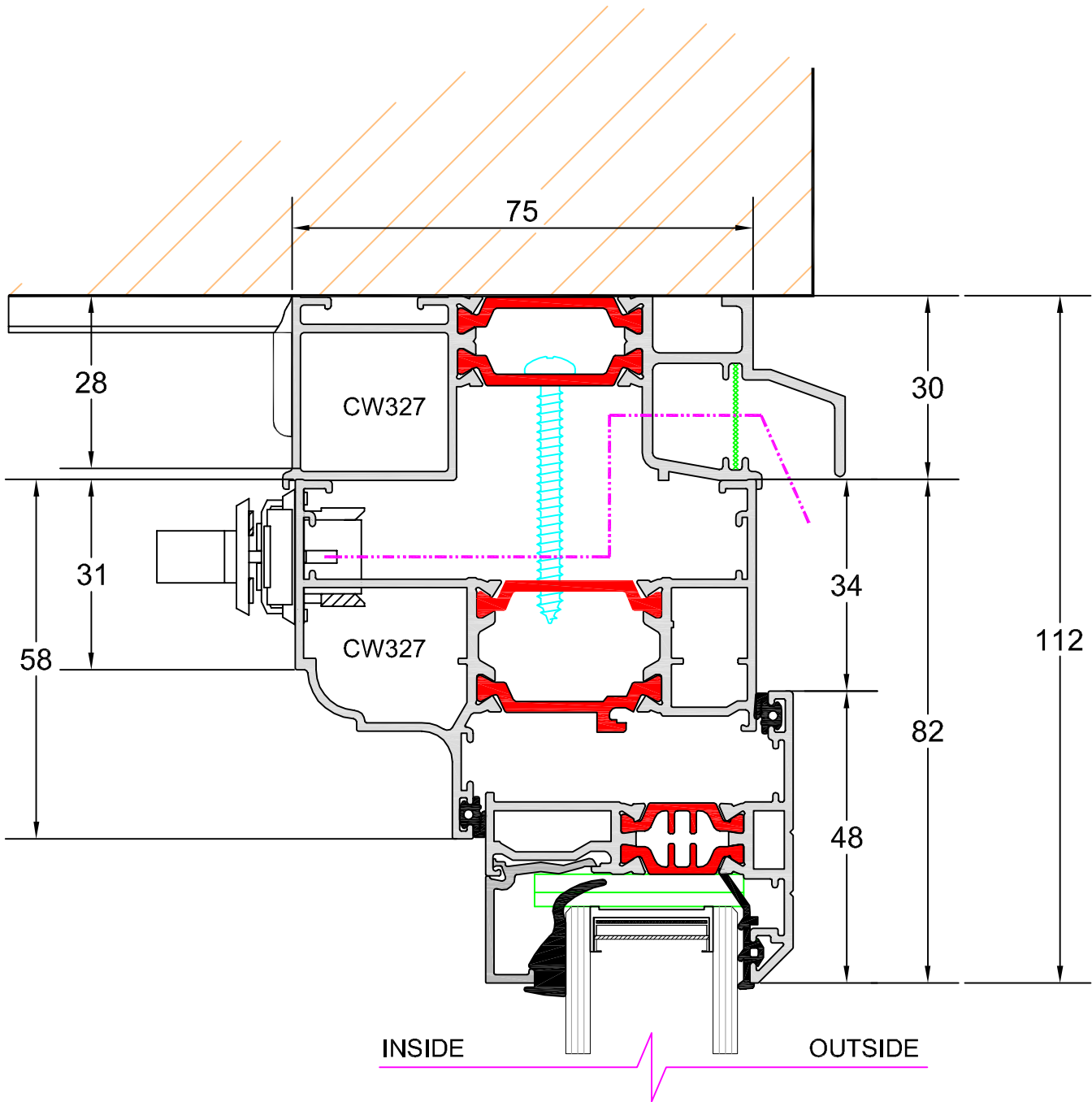
VERTICAL SECTION TRICKLE VENT



Return to
Top Page



Return to
Elevation Page



Scale 1:1

HORIZONTAL SECTION STRENGTHENING MULLION

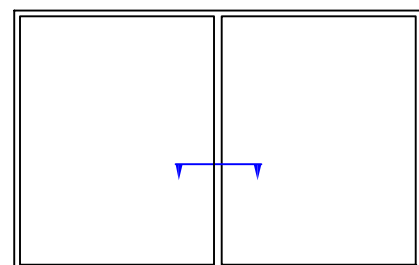
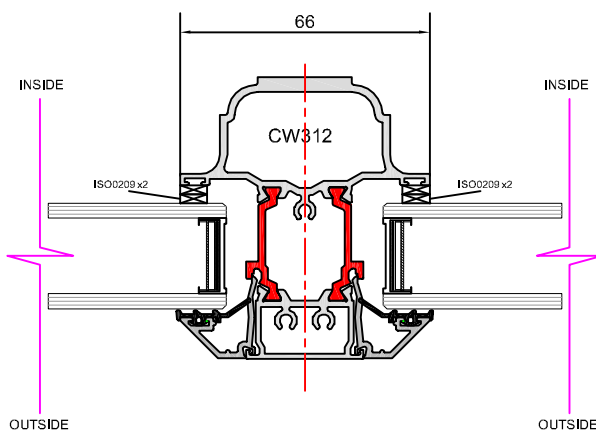
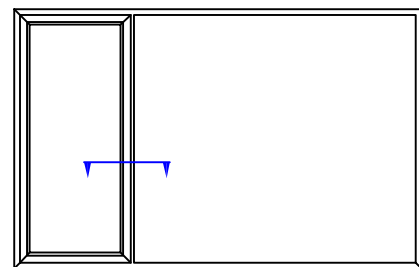
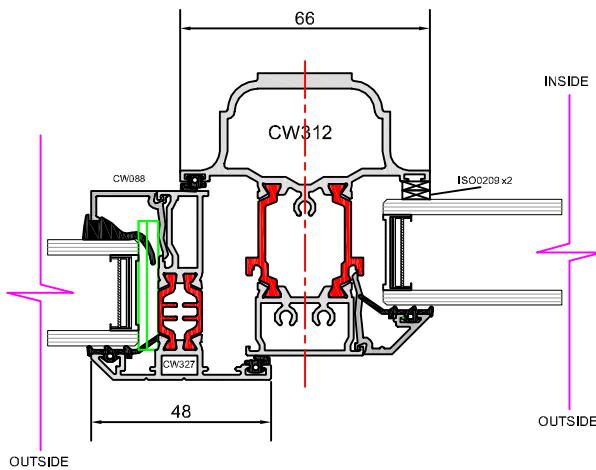
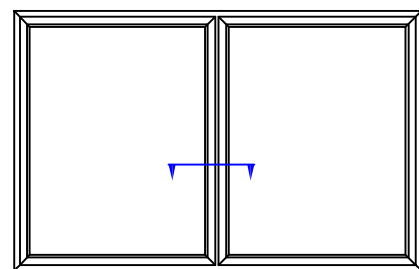
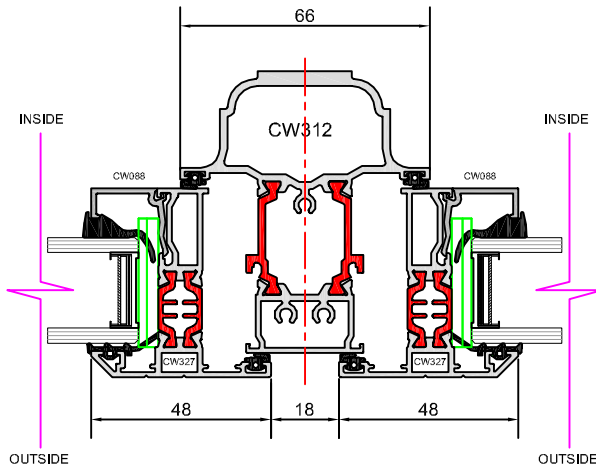
To be used on large inserts in exposed areas



Return to Top Page



Return to Outerframe Page



HORIZONTAL SECTION COUPLING

