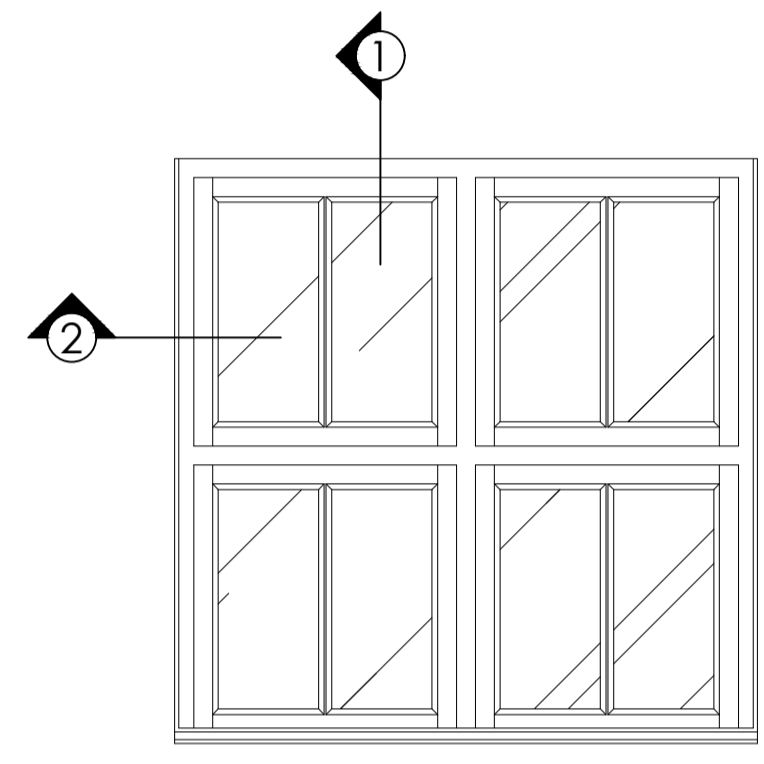
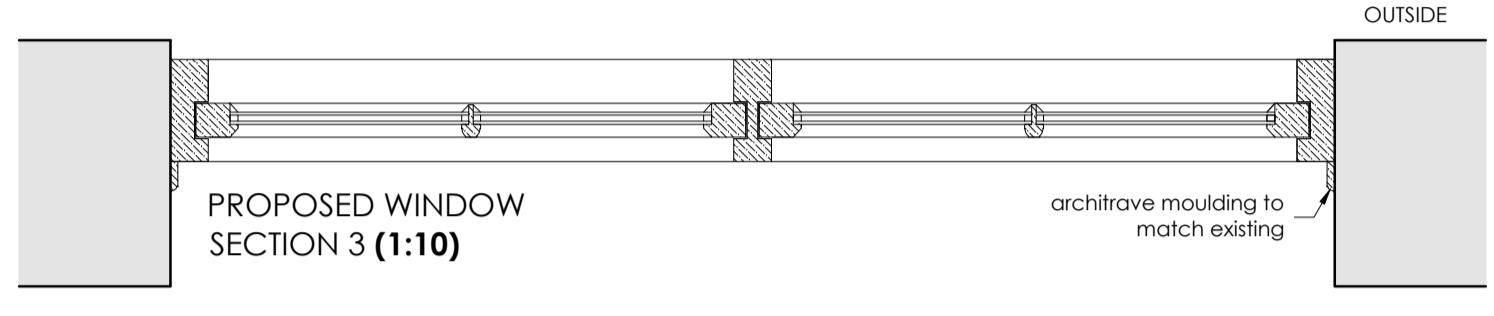
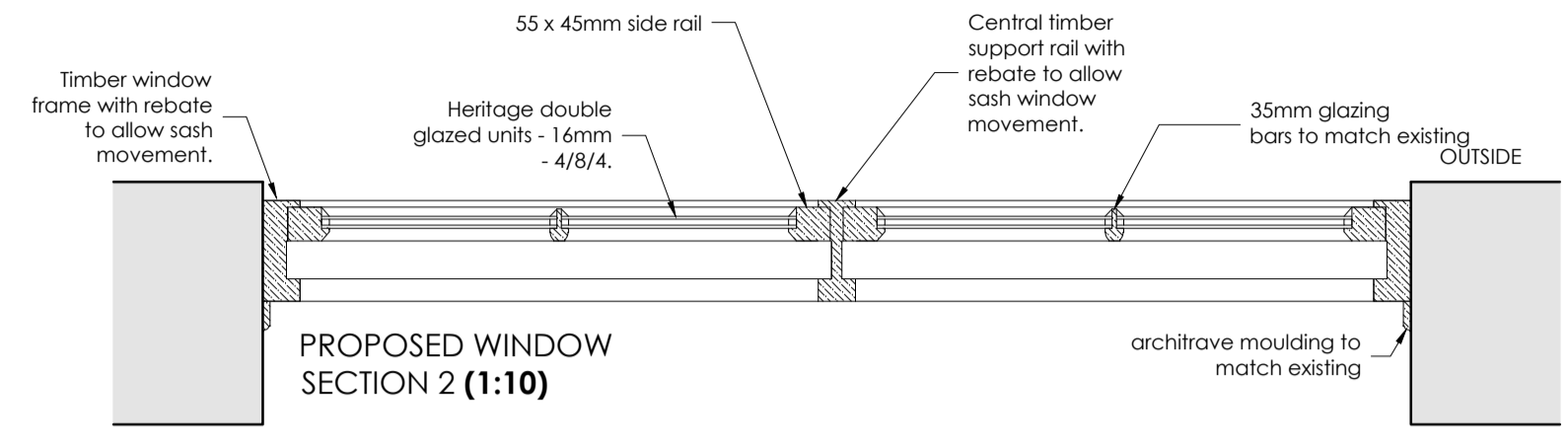
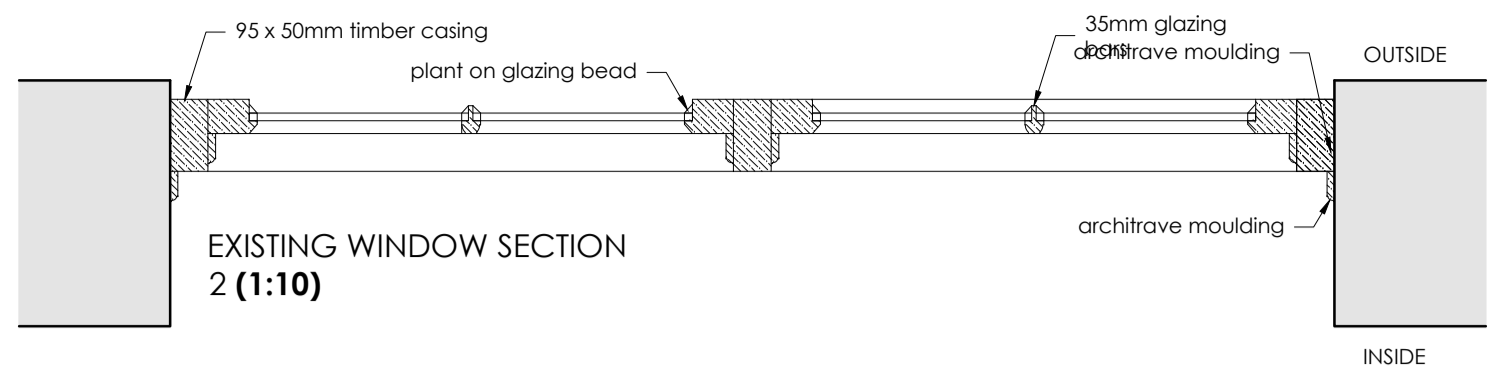
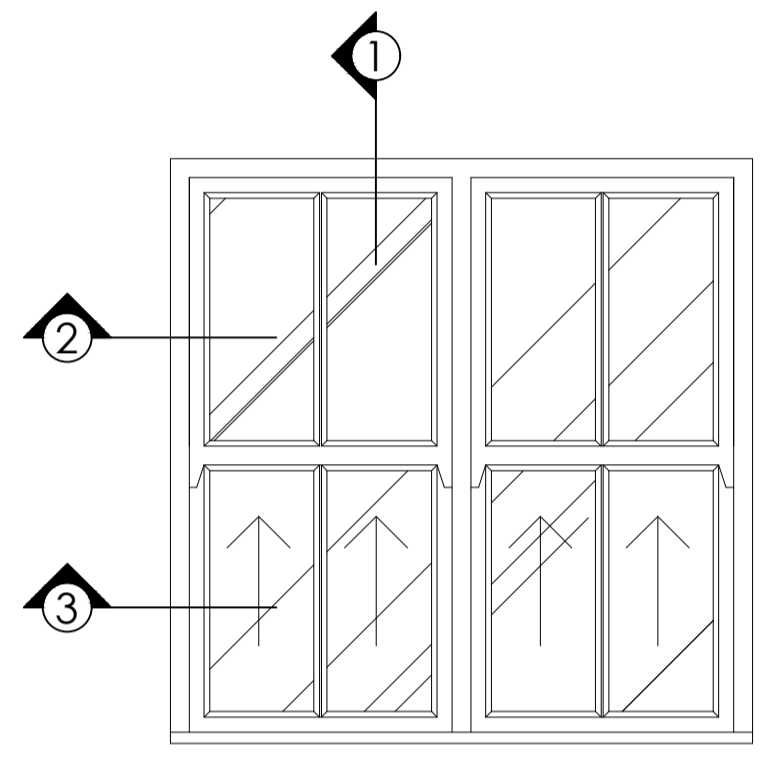


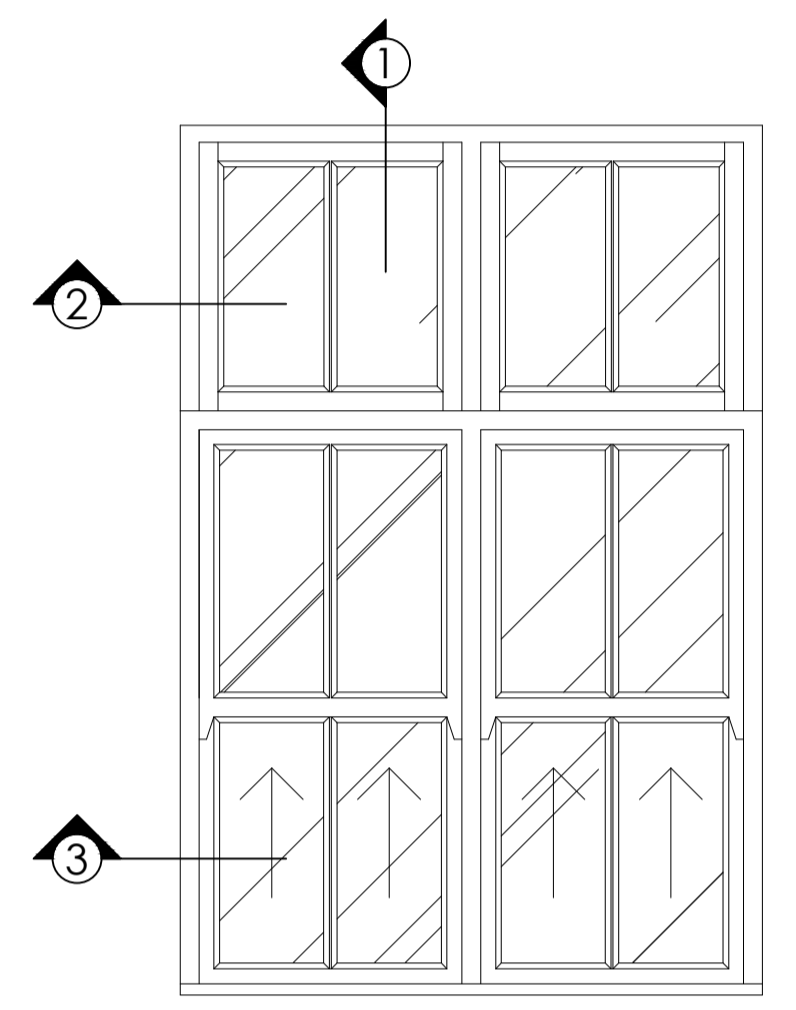
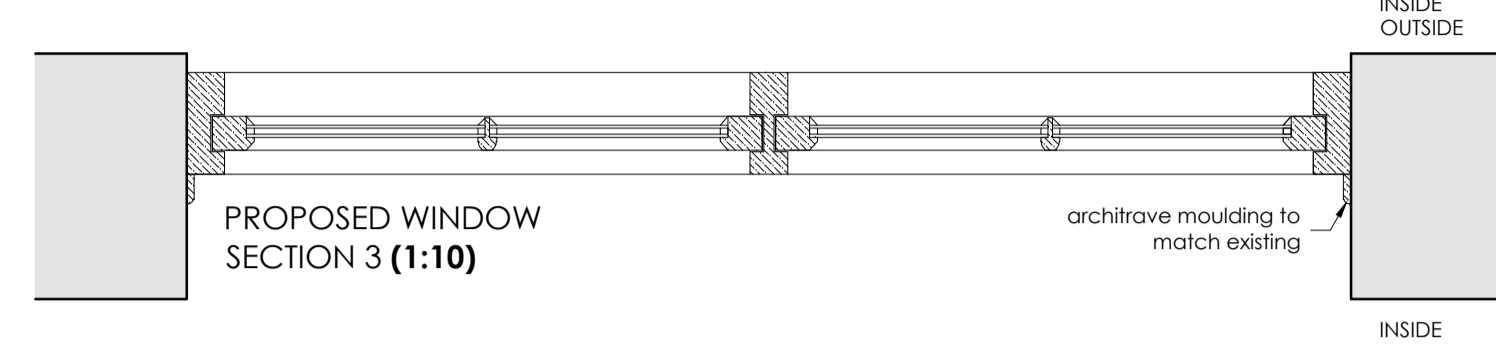
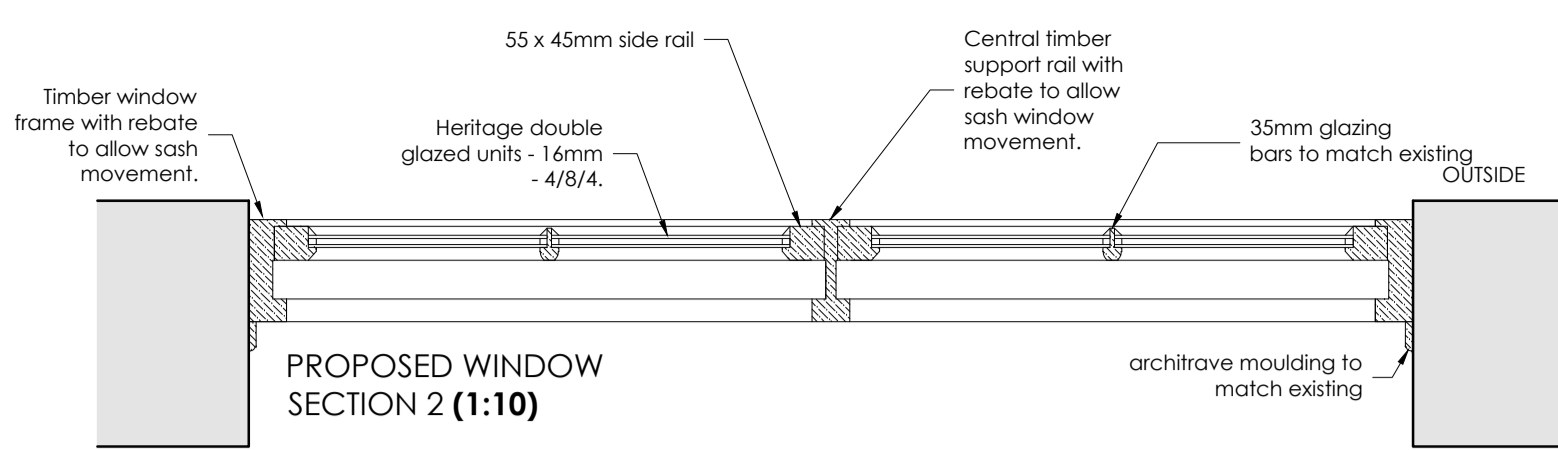
"Copyright in this drawing remains with the designer. Responsibility is not accepted for errors made by others in scaling from this drawing. All construction information should be taken from figured dimensions only. Check all dimensions on site. In case of any discrepancy, refer query to the designer."



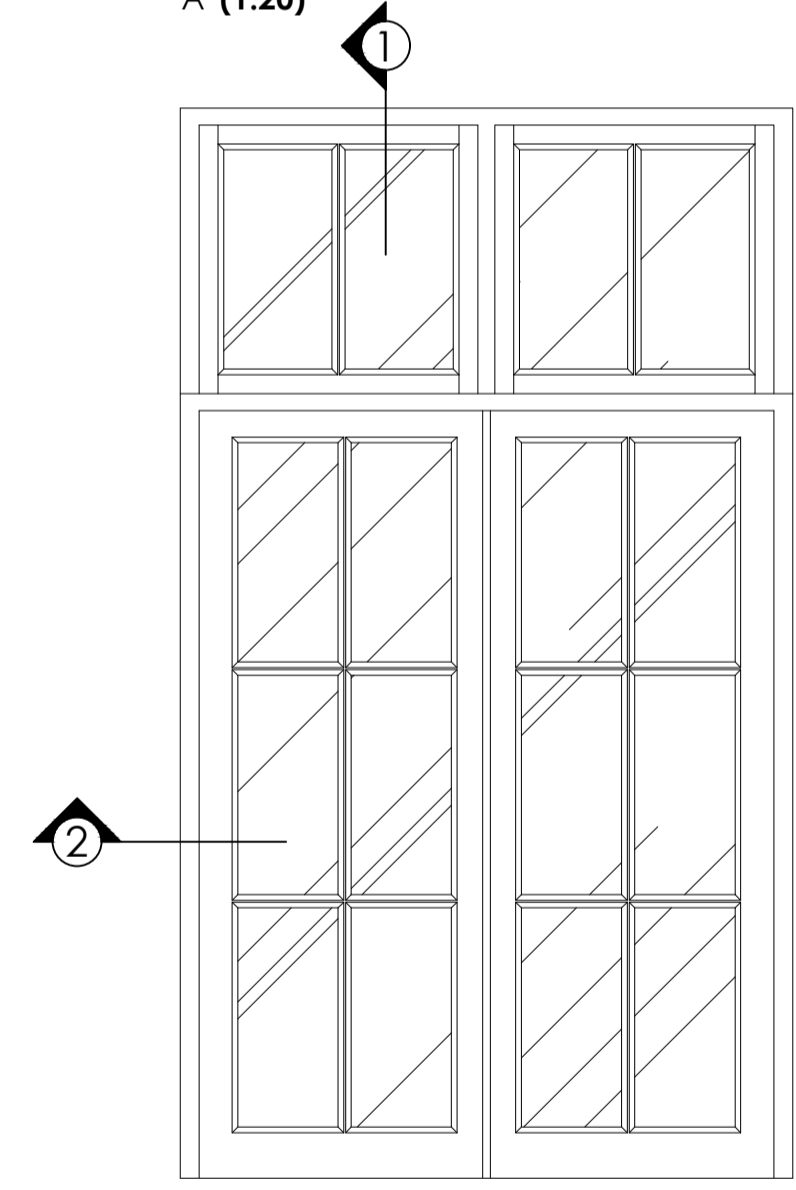
EXISTING WINDOW ELEVATION 'A' (1:20)



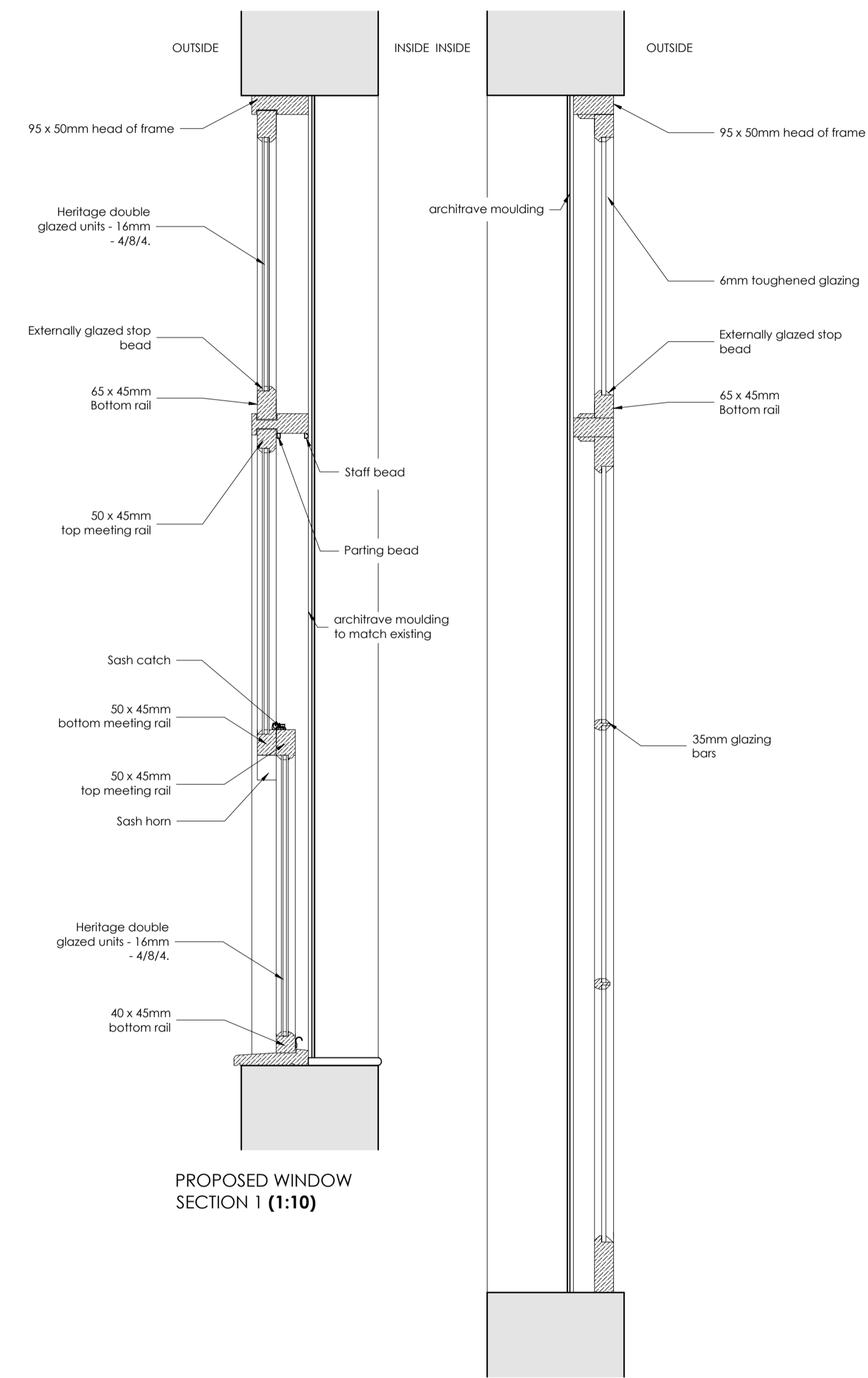
PROPOSED WINDOW ELEVATION 'A' (1:20)



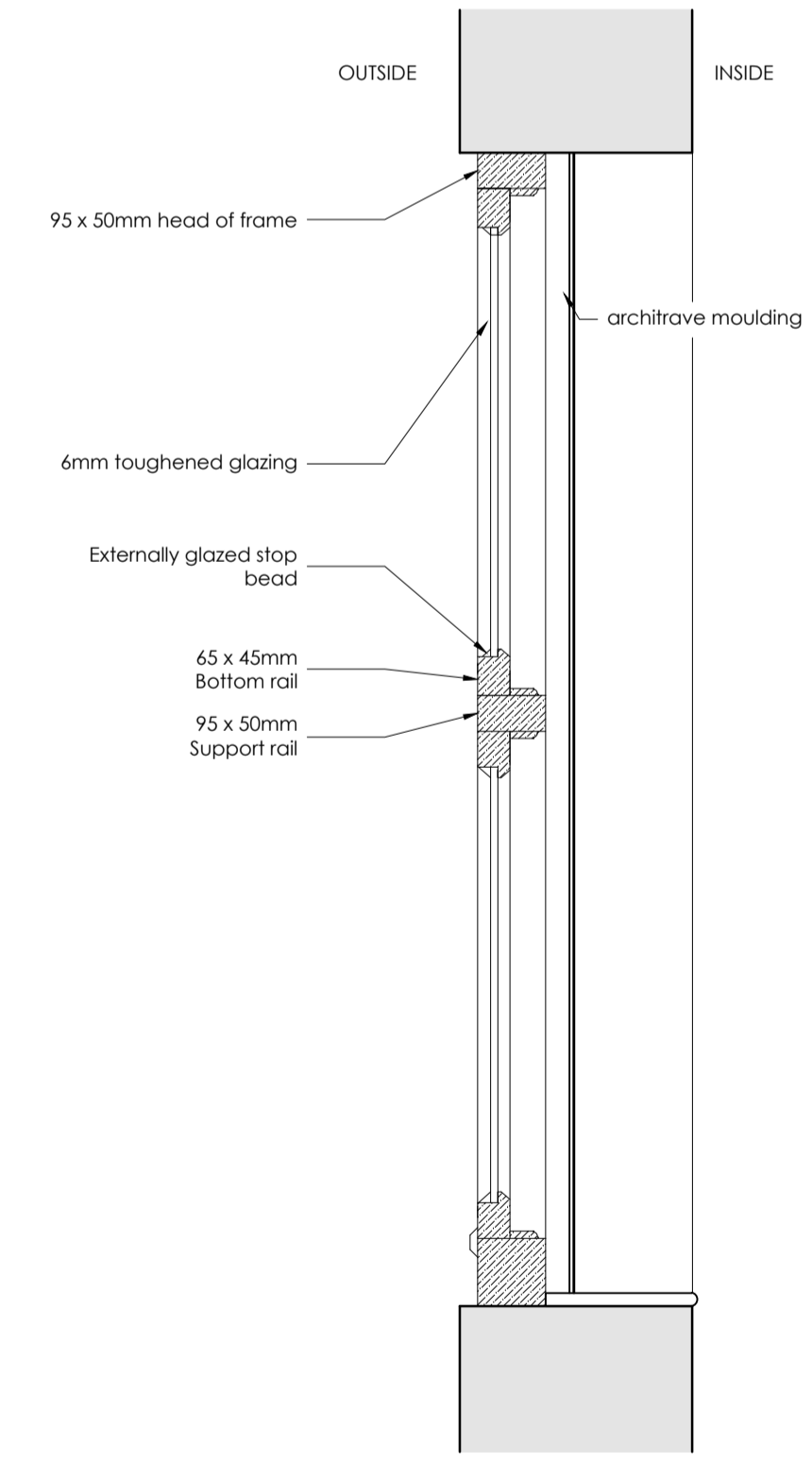
PROPOSED WINDOW ELEVATION 'A' (1:20)



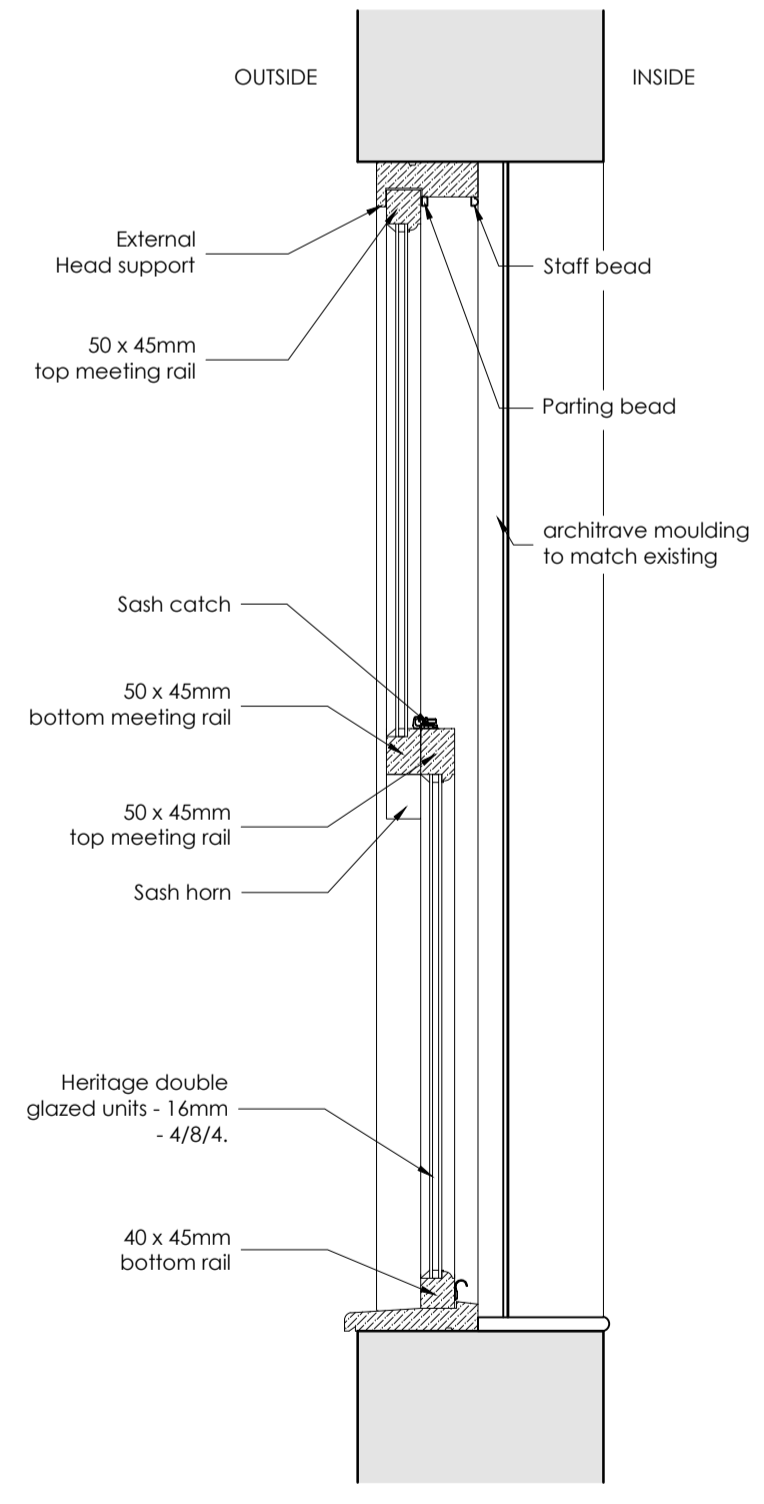
EXISTING DOOR ELEVATION 'A' (1:20)



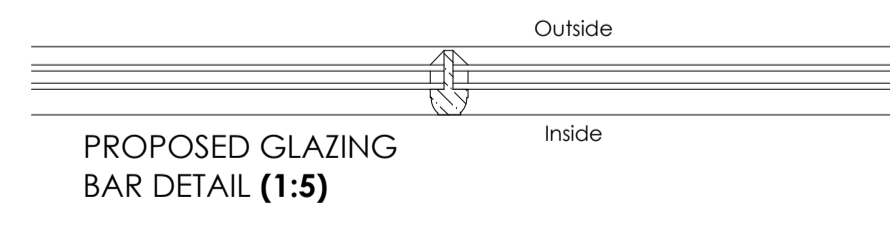
PROPOSED WINDOW SECTION 1 (1:10)



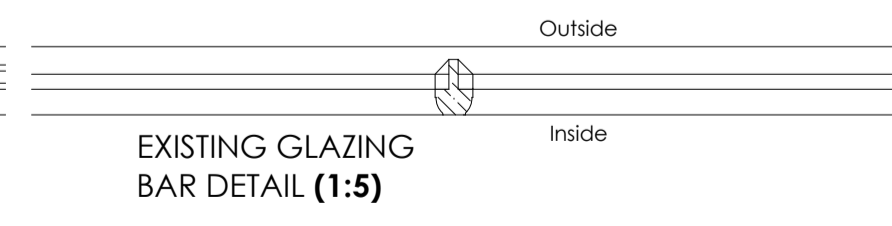
EXISTING WINDOW SECTION 1 (1:10)



PROPOSED WINDOW SECTION 1 (1:10)



PROPOSED GLAZING BAR DETAIL (1:5)



EXISTING GLAZING BAR DETAIL (1:5)

EXISTING DOOR SECTION 1 (1:10)

PLANNING DRAWINGS

Rev	Description	By	Date
-	-	-	-

INVENTIVE DESIGN ASSOCIATES  
ARCHITECTURE & INTERIOR DESIGN

57 Station Road, Cheadle Hulme  
Stockport, Greater Manchester SK8 7AA  
Company Reg No: 9251414

**GREENE KING**  
Punch & Judy, 40 Henrietta St,  
London, WC2E 8RF  
**EXISTING & PROPOSED WINDOW DETAILS**

0161 428 0310  
office@inventiveda.com  
www.inventiveda.com  
@inventiveda

DRAWN	MBG	DATE	30.01.24	DRAWING NO.	
SCALE	Various @A1	REV.	-		22100 - 603