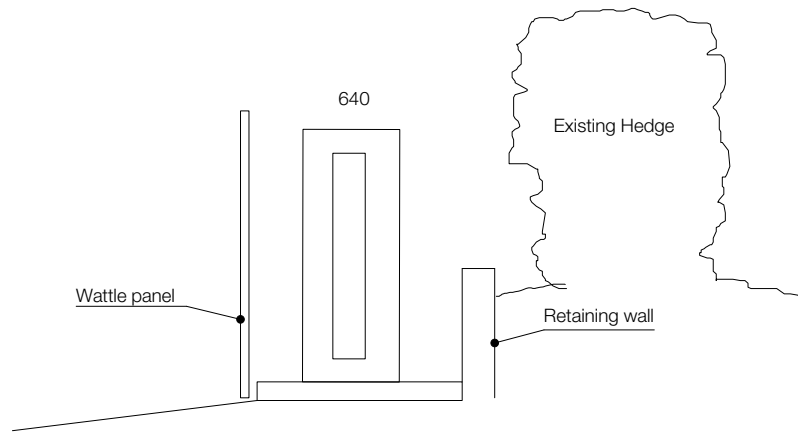


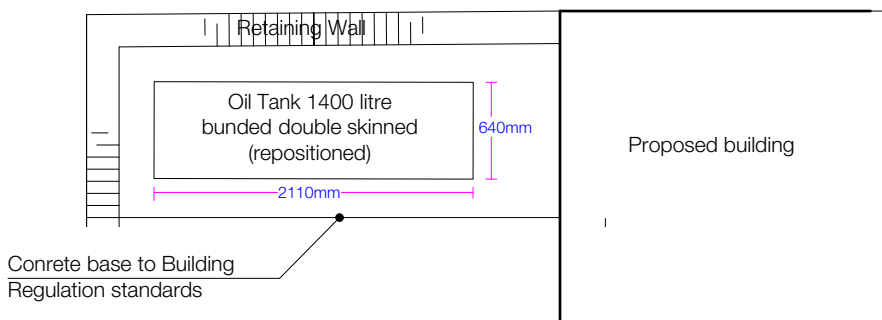
FRON ELEVATION



SIDE ELEVATION



Existing Hedge



PLAN LAYOUT



Scale 1:50

Existing & Proposed Oil Tank  
 Little Bec  
 Monxton Rd  
 Amport  
 Scale 1:50