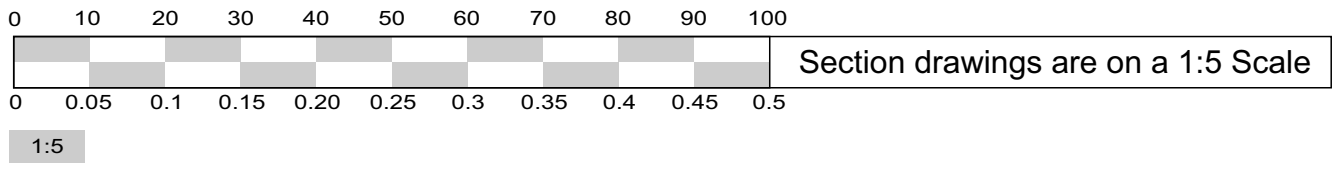
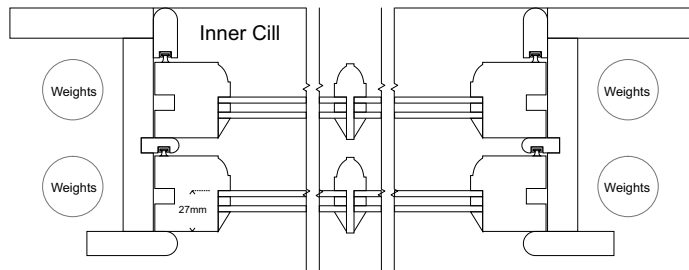
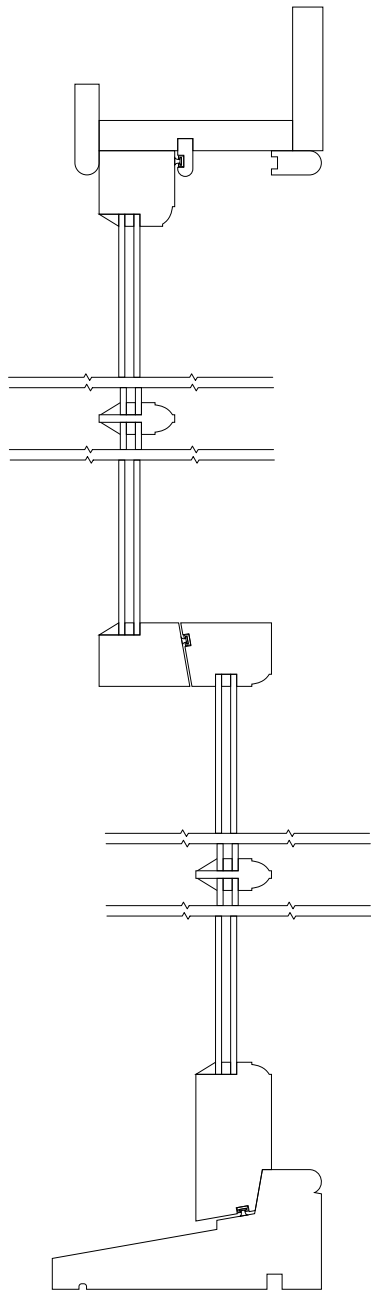


**Proposed Window Sections**

Installation of 14mm IGU's



**Proposed Window Specification :**

**Timber:** Redwood/Pine  
50x50mm timber sections, 12mm Parting beads and 33mm baton rods. 21mm Astragals

**Draught Exclusion:** Brush Pile and Carrier

**Glazing:**  
Slimline 14mm (4/6/4) Argon filled IGUs, 4mm low E glass/6mm Black heritage spacer/4mm float

**Painting: Oil based** - Sashes White gloss external / white eggshell internal

Replacement sashes to be made to historic standards with traditional wedged mortise and tenon joinery.

<table border="1"> <tr> <td>S</td> <td>W</td> </tr> <tr> <td>S</td> <td>E</td> </tr> </table>	S	W	S	E	<p><b>Sash Window Surveys Edinburgh</b></p> <p>sashwindowsurveysedinburgh.co.uk</p> <p>50 Whitelaw Drive, Bathgate, EH48 1RQ</p>
	S	W			
S	E				

Sam Robinson

51/1 Portland Street  
Edinburgh  
EH6 4AZ