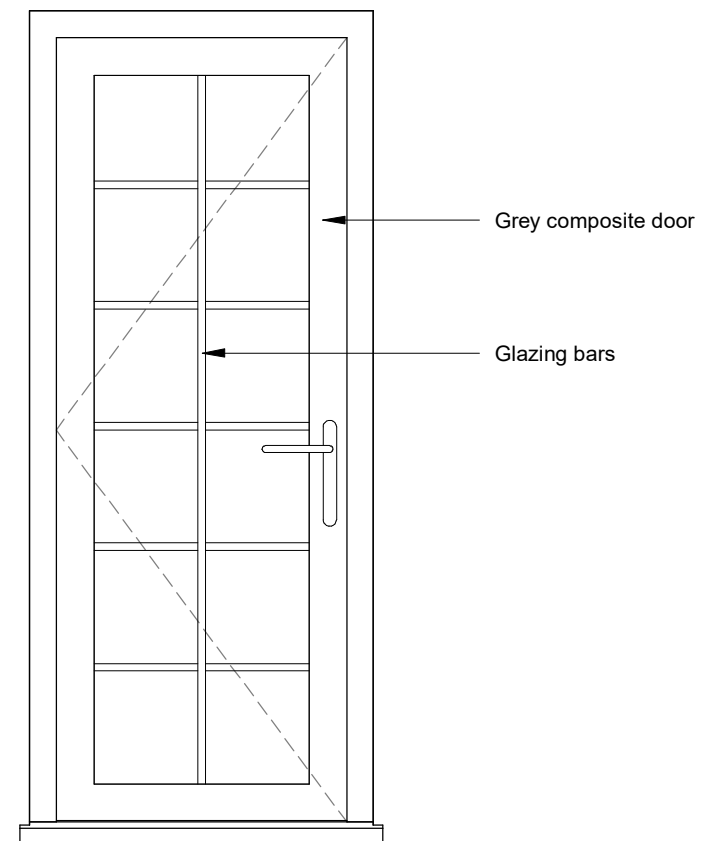
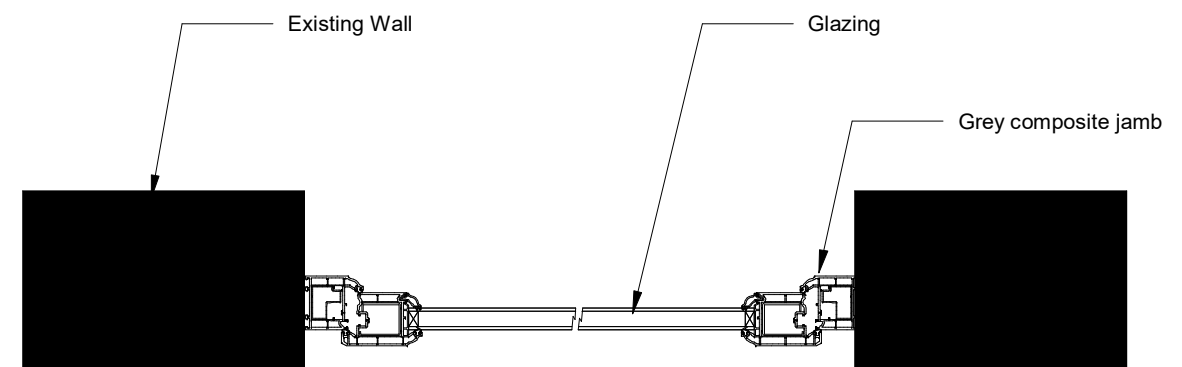


3 The Cottons, Rockingham



Door elevation 1:20



Jamb Detail 1:10

Proposed Details of Door
As Stated @ A3