

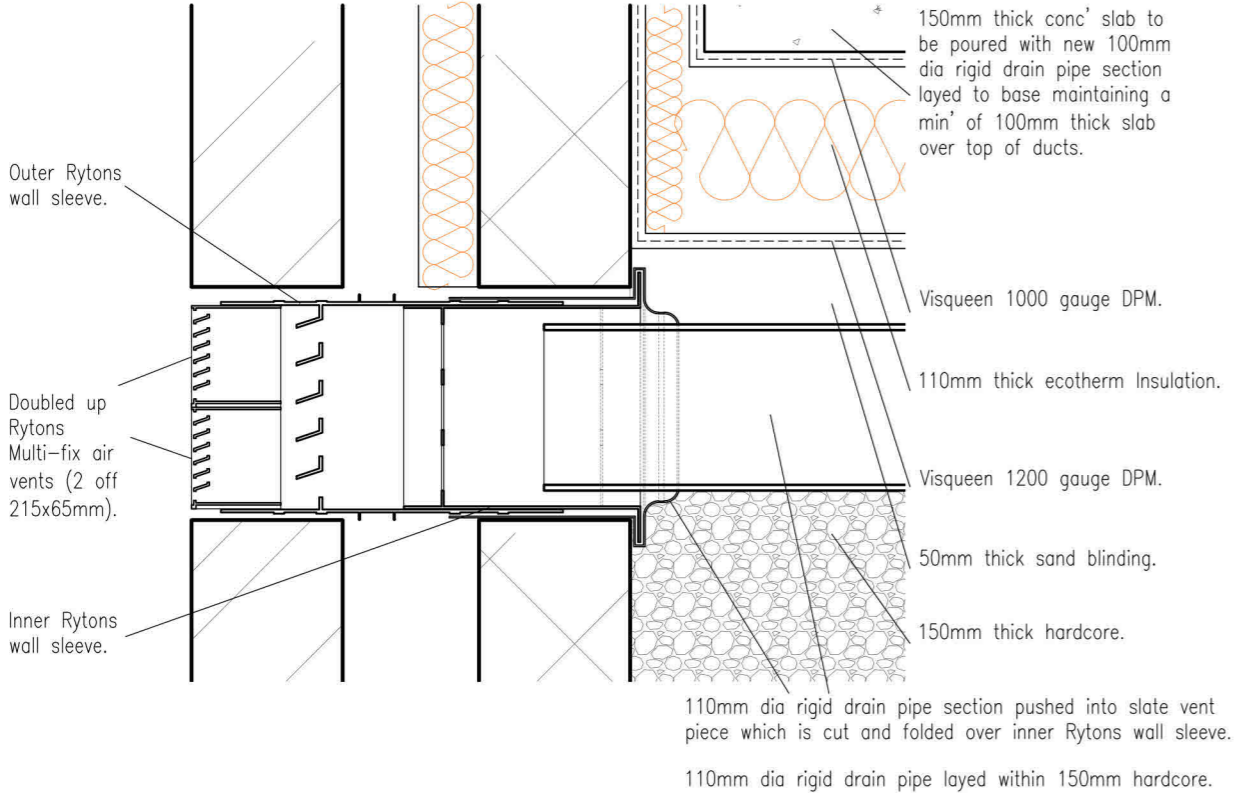
This copy has been made by or with the authority of Midlothian Council pursuant to Section 47 of the Designs and Patents Act 1988. Unless that Act provides a relevant exception to copyright, the copy must not be copied without the prior permission of the copyright owner.



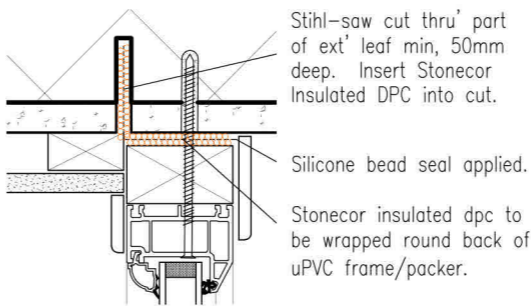
Proposed Site Plan 1: 200



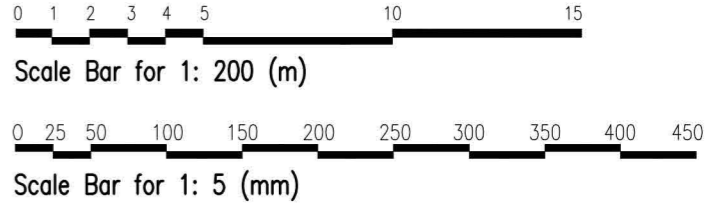
Location Plan 1: 1250



Vent Duct detail 1: 5



Typical Exist, Wall/Window Detail 1:5



WINDOWS & CONSERVATORIES
Bryant
AND
Cairns

2/3 Borthwick View
Pentland Industrial Estate,
Loanhead,
Midlothian,
Scotland EH20 9QH.
Tel: 0131 440 2855
Fax: 0131 448 2096
Web: BryantandCairns.co.uk

Proposed Conservatory
at: 2 Eskview Grove, Dalkeith
for: Mr & Mrs G. McPhie

Work: _____ Home: _____

drawing title:
Site, Location Plans & Details

| | | | | |
|-------------------------|-----------|-----------------|-------------------|-------------------|
| drawing no. C5939/04 | revision: | drawn by: TO | date: 14.02.24 | scale: see drg |
|-------------------------|-----------|-----------------|-------------------|-------------------|