

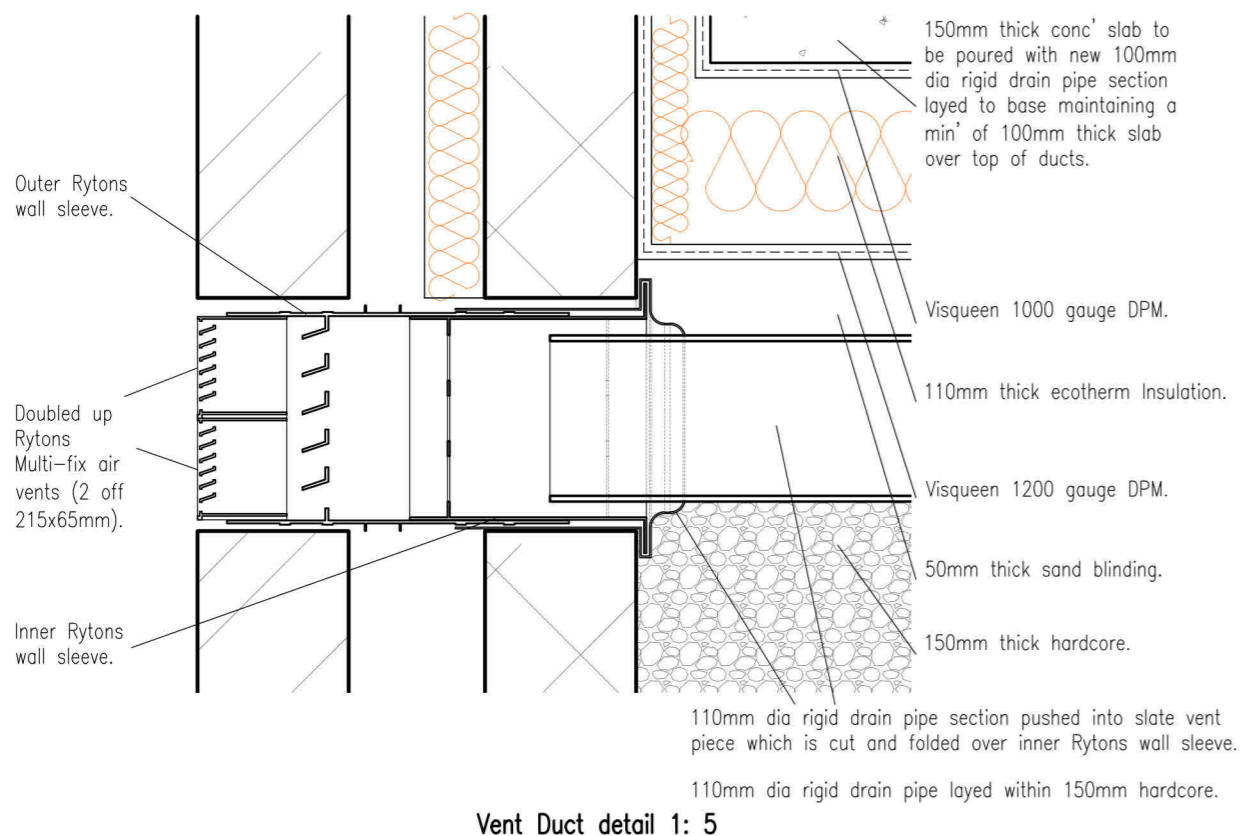
This copy has been made by or with the authority of Midlothian Council pursuant to Section 47 of the Designs and Patents Act 1988. Unless that Act provides a relevant exception to copyright, the copy must not be copied without the prior permission of the copyright owner.



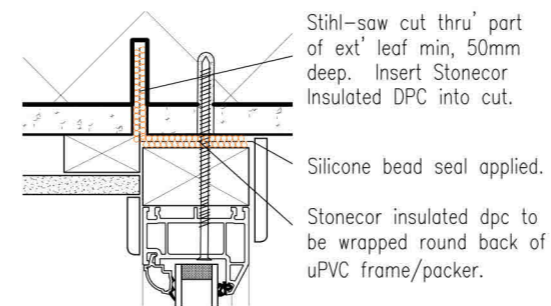
Proposed Site Plan 1: 200



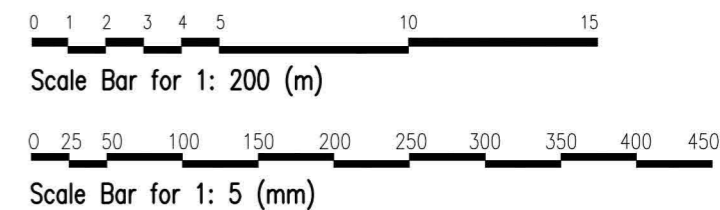
Location Plan 1: 1250




Vent Duct detail 1: 5



Typical Exist, Wall/Window Detail 1:5



		2/3 Borthwick View Pentland Industrial Estate, Loanhead, Midlothian, Scotland EH20 9QH. Tel: 0131 440 2855 Fax: 0131 448 2096 Web: BryantandCairns.co.uk	
Proposed Conservatory at: 2 Eskview Grove, Dalkeith for: Mr & Mrs G. McPhie			
Work:		Home:	
drawing title: Site, Location Plans & Details			
drawing no. C5939/04	revision:	drawn by: TO	date: 14.02.24
		scale: see drg	