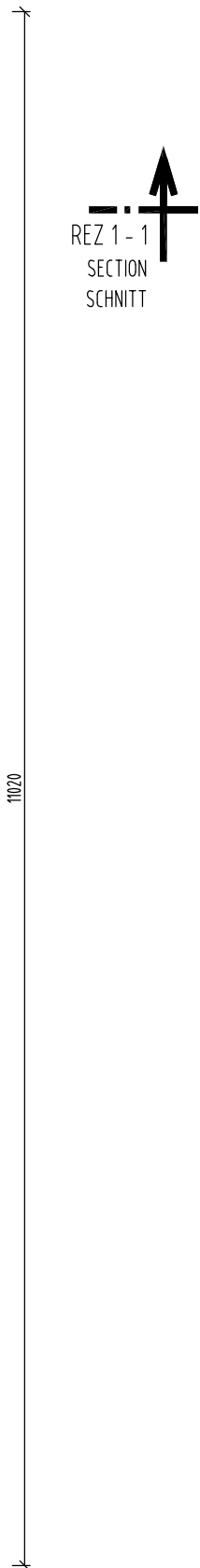
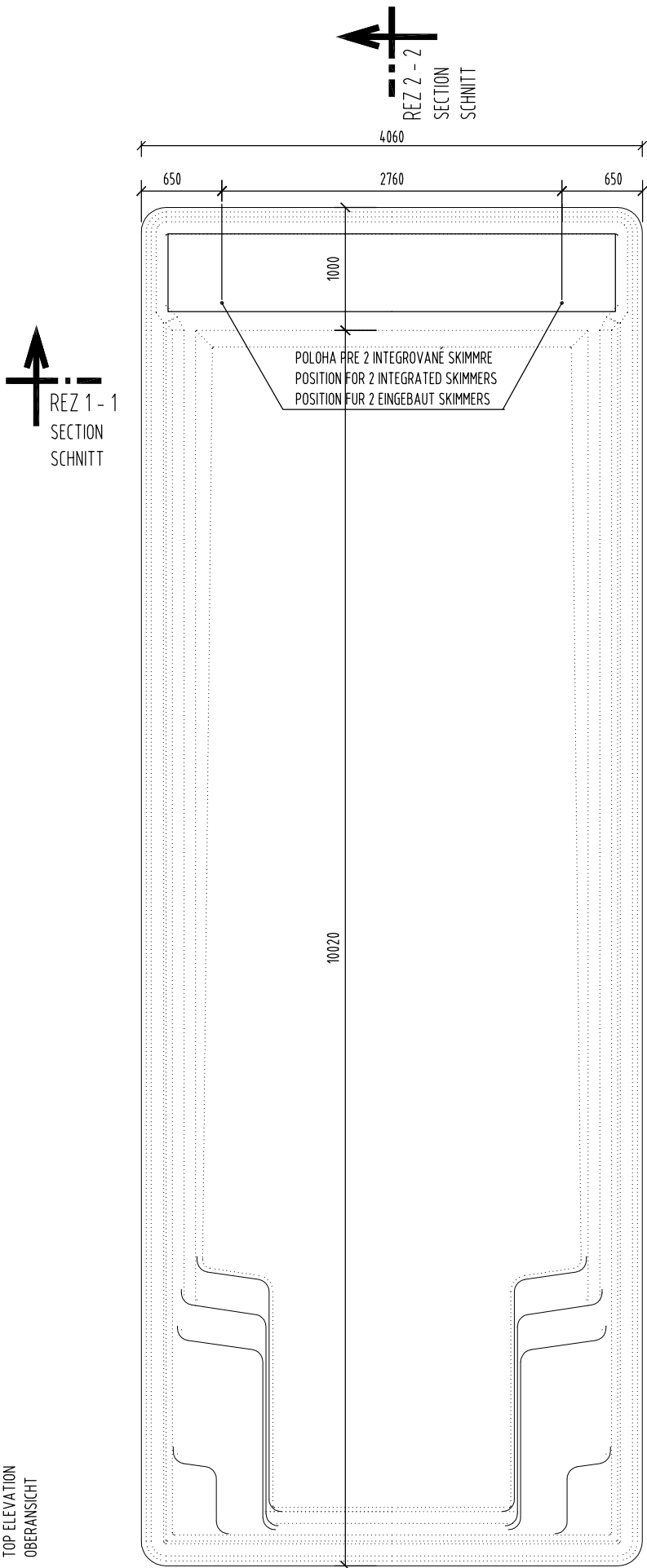


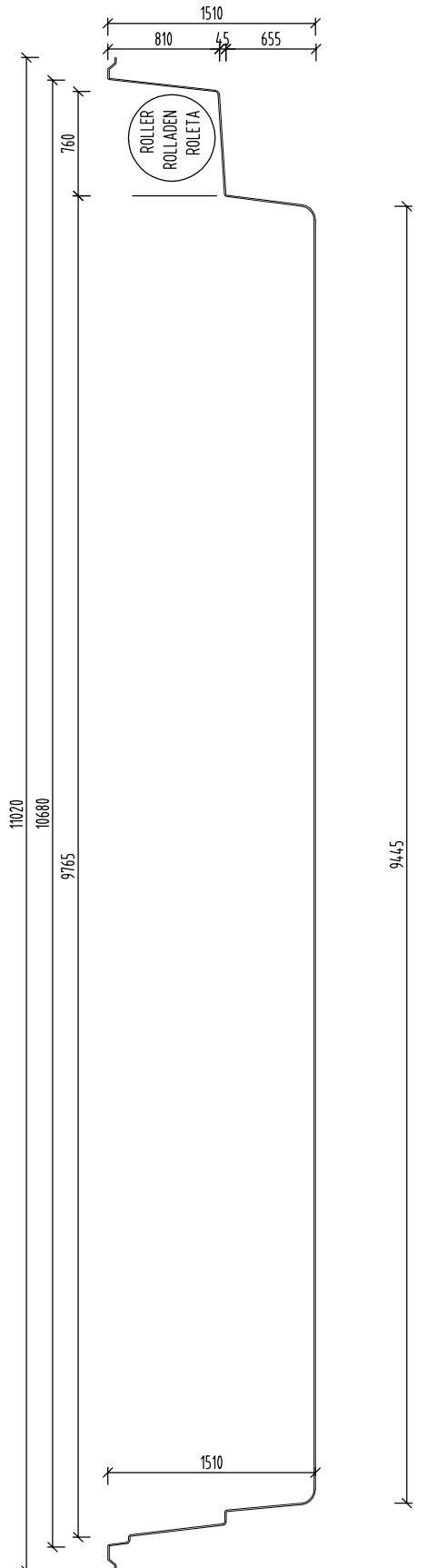
POHLAD ZHORA M 1:50

TOP ELEVATION
OBERANSICHT



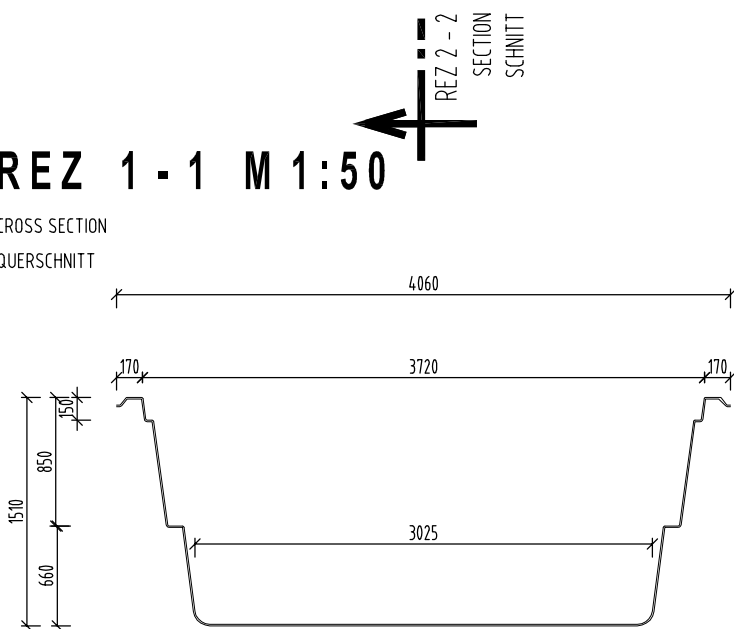
REZ 2 - 2 M 1:50

LONGITUDINAL SECTION
QUERSCHNITT



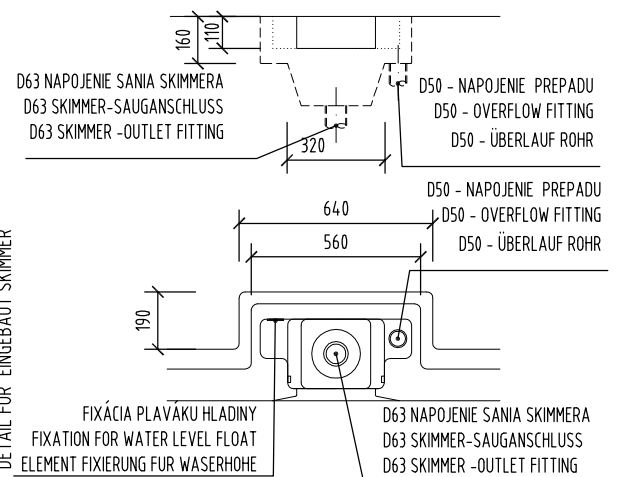
REZ 1 - 1 M 1:50

CROSS SECTION
QUERSCHNITT



DETAIL ÚPRAVY M 1:25 INTEGROVANÝ SKIMMER

DETAIL FOR INTEGRATED SKIMMER
DETAIL FUR EINGEBAUT SKIMMER



POZNÁMKA / NOTE / ANMERKUNG :

HRÚBKA STENY BAZÉNA JE CCA. 10 MM
TOLERANCIA PRESNOSTI 7 - 10 MM

THICKNESS OF THE SIDEWALL OF SWIMMING POOL IS APPROX. 10 MM.
MEASURED WITH TOLERANCE RATE 7 - 10 MM

DIE SCHWIMMBADWAND DÜCKE IS CA. 10 MM.
DUCKENTOLERANZ IST 7 - 10 MM.

POOL HIGH FOR CONTAINER FOR SEA TRANSPORT IS 3820MM.

NÁZOV VÝKRESU:
DRAWING NAME:
ZEICHNUNG NAME:

XL TRAINER 110FB GEOMETRIA BAZÉNA

GEOMETRY OF SWIMMING POOL SCHWIMMBAD GEOMETRIE

COMPASS 
enjoy the moment

www.compasspools.eu

KRESLIL: DRAWN BY / ZEICHNER:	ING. PETER KALETA	DÁTUM: DATUM / DATUM:	08/2020
MIERKA: SCALE / MASSTABE:	1:50	FORMÁT DRAWING FORMAT / ZEICHNUNG FORMAT:	A3
VERZIA: VERSION: VERSION:	1	ČÍSLO DRAWING NUMBER: ZEICHNUNG NUMBER:	1