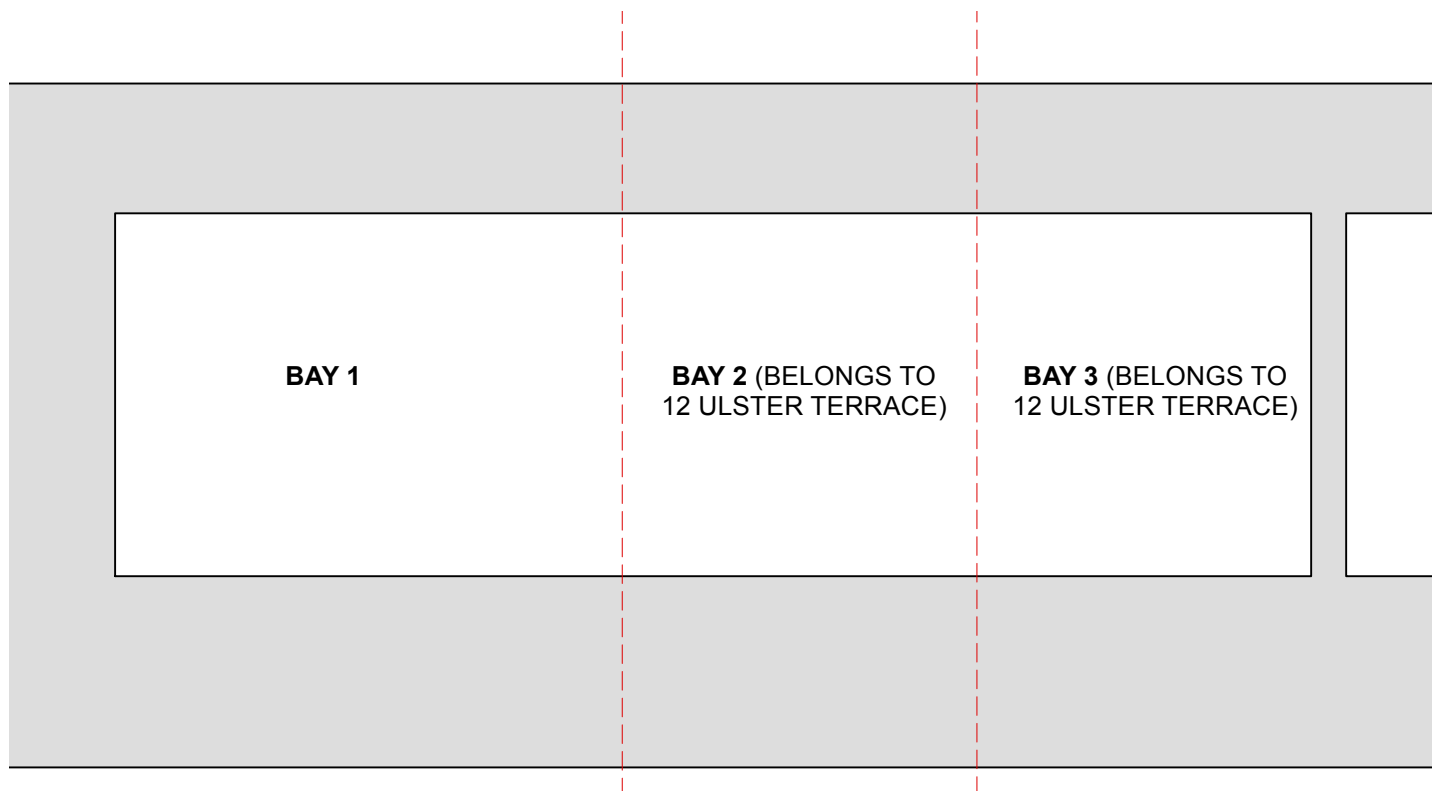
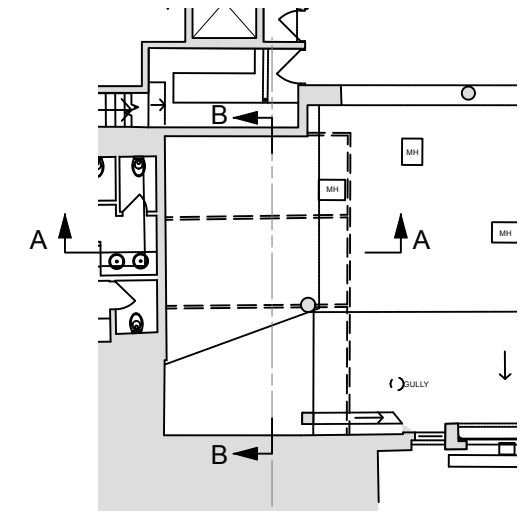


1 Existing Section A-A
Scale: 1:50



2 Existing Section B-B
Scale: 1:50



3 Key Plan
Scale: 1:200

SCALE 1:50@A3



REVISION		
DATE	13 February 2024	SCALE 1:100
PROJECT	12 Ulster Terrace	
CLIENT	Kimmie Fearnside & Gabriel Ng	
DRAWING TITLE	Existing Sections AA & BB	
DRAWING No.	TRS136_020_EX	
ISSUE	PLANNING	

TR STUDIO

Architecture | Interiors

The Blackfrairs Room | St Bride Foundation | 14 Bride Lane | London EC4Y 8EQ

T: +44 (0)203 567 0569
E: office@trstudio.co.uk
W: www.trstudio.co.uk

This drawing must not be scaled from nor should it be used for the calculation of areas for the purposes of valuation. All dimensions are indicative and must be verified on site prior to the commencement of any works. This drawing must be read in conjunction with all necessary information from all other design consultants and contractors. All works must comply with the relevant British standards and building control requirements. Drawing errors to be reported to the Architect.