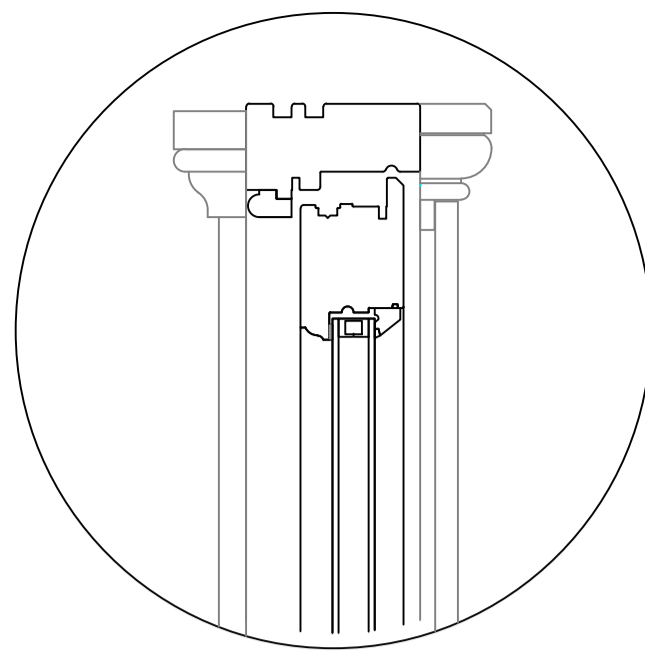
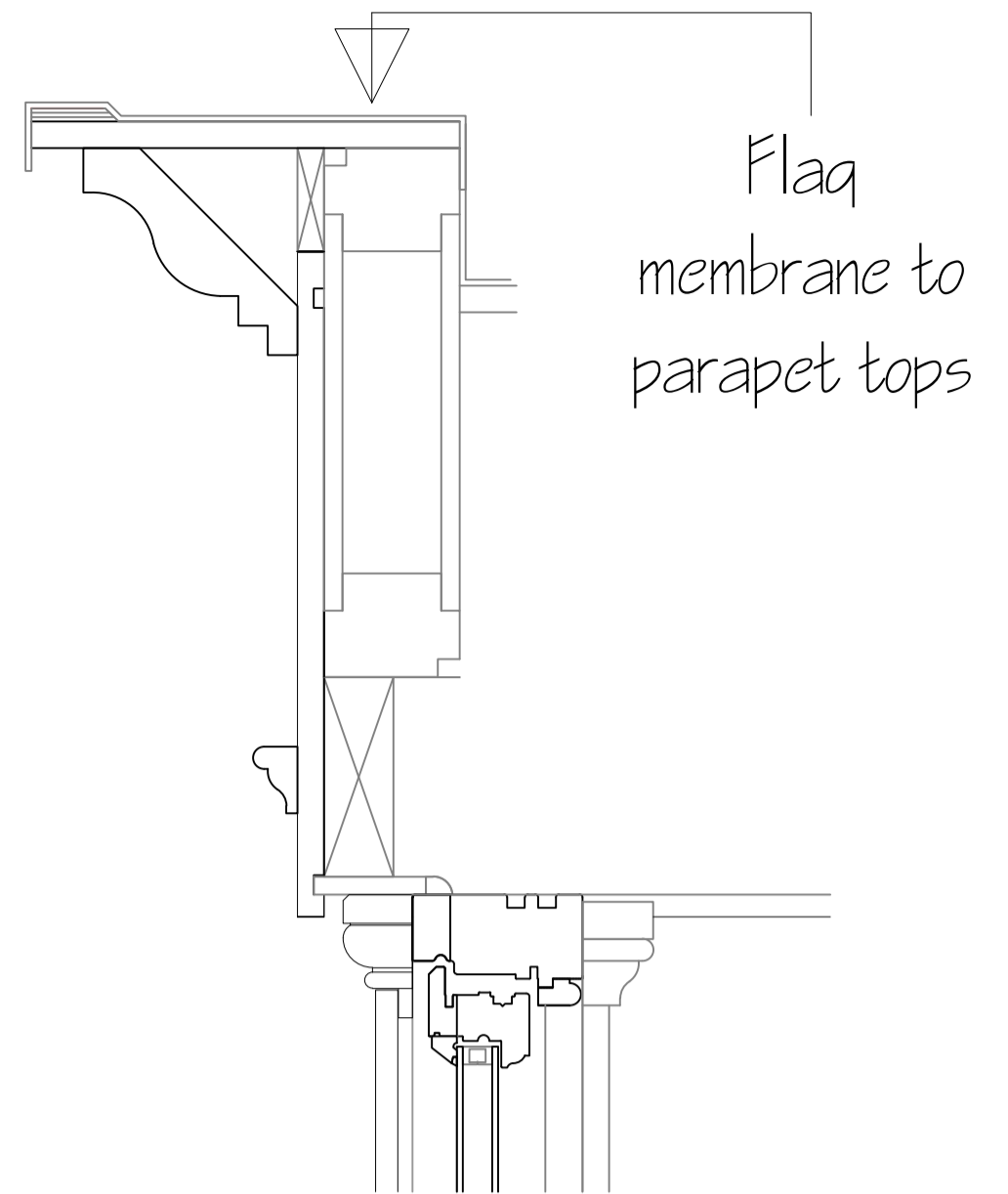


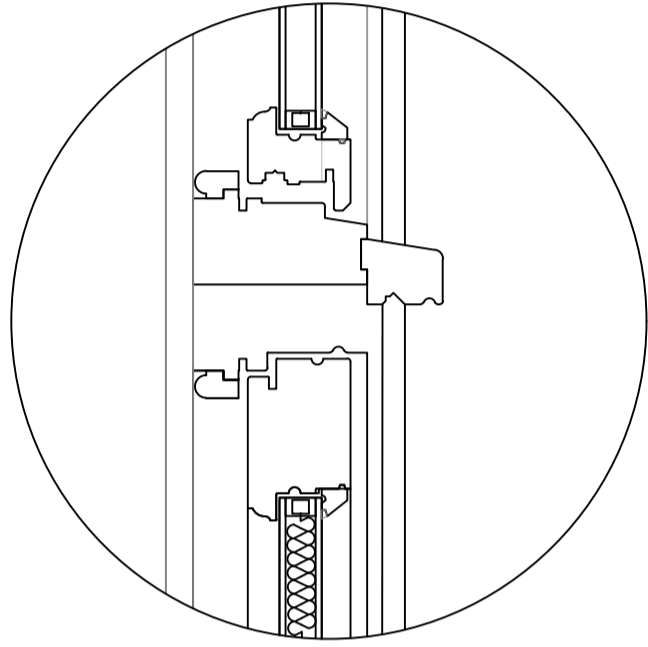
Door Frame Head  
1:5



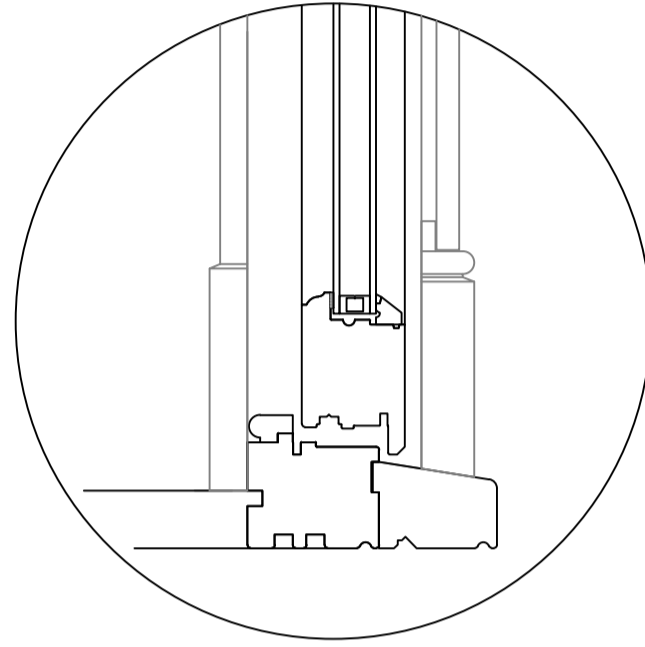
Window Frame Head  
1:5



Fascia  
Cross Section @ 1:5



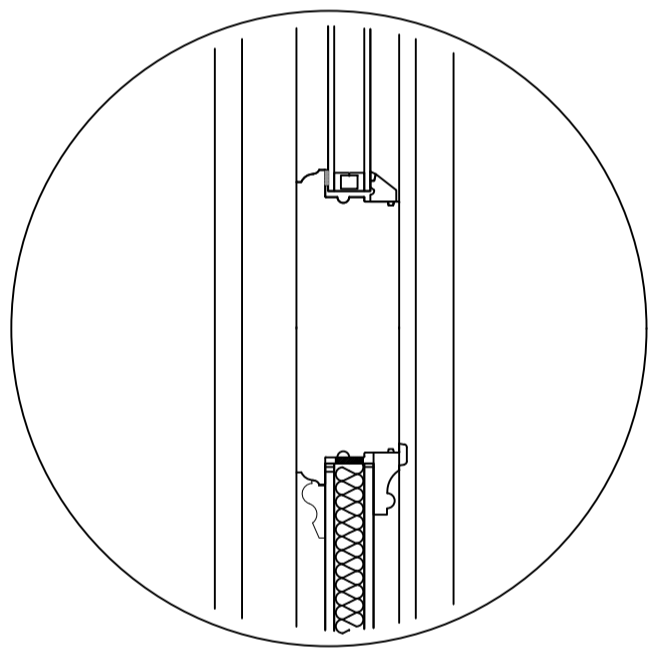
Transom  
1:5



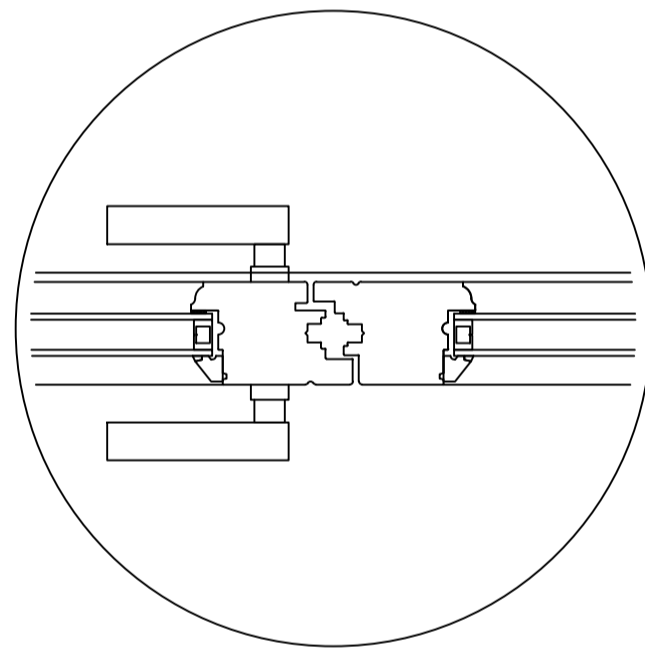
Window Cill  
1:5



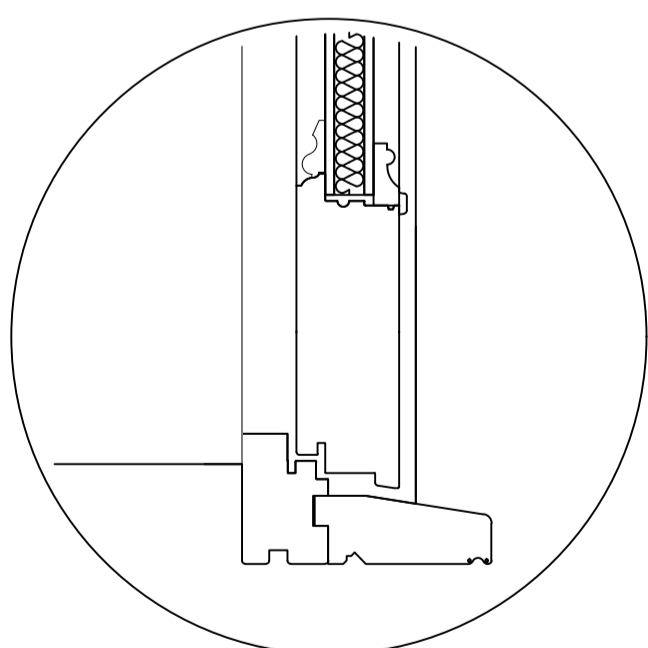
PARTIAL FRONT ELEVATION 1:20 @ A2



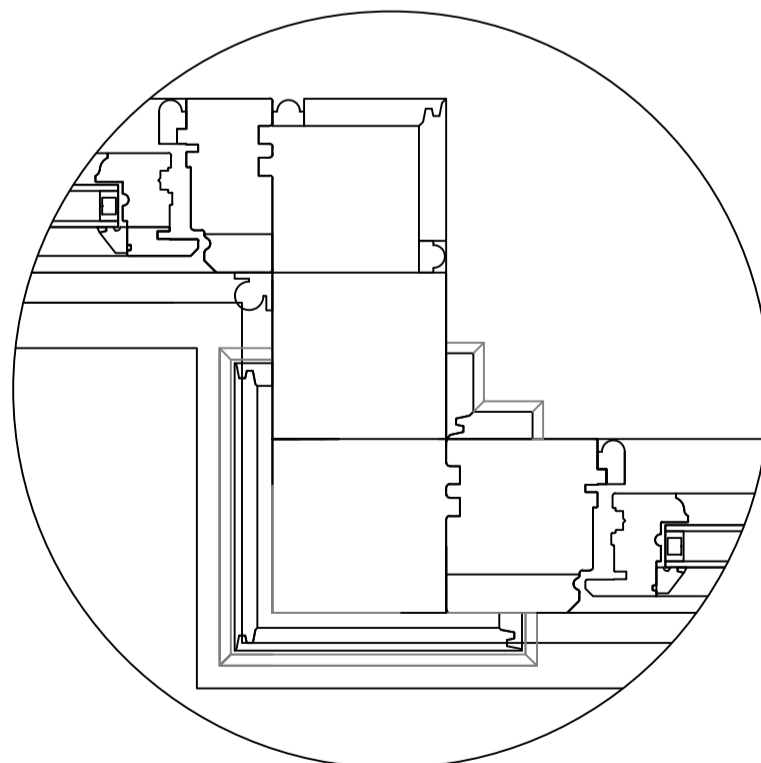
Door Mid Rail  
Showing Bolection Mould  
1:5



Door Meeting Stiles  
1:5



Door Threshold  
1:5



Corner Pilaster  
1:5

Client: Mr & Mrs Thrussell	
Project: THE FORTREES COMMON LANE, HERTFORDSHIRE, WD25 8EE	
Drawing: Discharge of Conditions	
Drawing No: 7860-1	Revision:
Scale: 1:5 @ A2	Drawn by: RK
Date: 13/02/2024	Checked by: ***
<b>WESTBURY</b> GARDEN ROOMS	
© COPYRIGHT RESERVED 46-52 Cutlers Road, South Woodham Ferrers, Essex, CM3 5XJ Email: james@westburygardenrooms.com Tel: 01245 326503	

All doors & windows are to be manufactured from accoya faced engineered timber and to be painted in 3 coats of microporous paint.