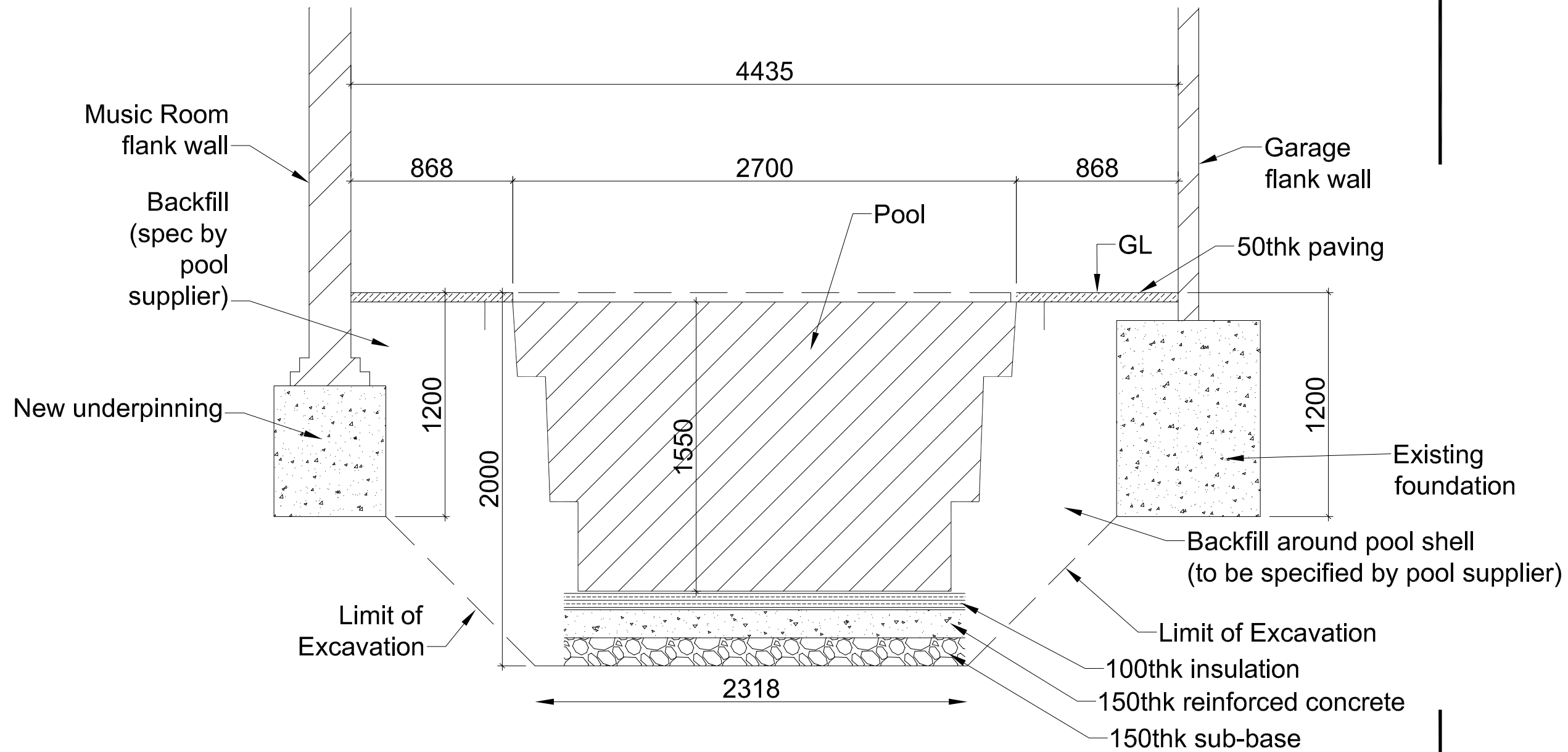


NOTES  
 1. All dimensions in millimetres. Do not scale off drawing.



Changes to this revision:  
 Excavation depth 2.00m  
 Pool centred between walls  
 Underpinning to Music Room shown

Pool supplier to specify extent of insulation, concrete and sub-base beyond pool shell each side.



**CHRIS KENDALL ASSOCIATES**  
 Lilian House 44 Davenport Road London SE6 2AZ  
 Tel: 020 8244 5817 Fax: 020 8698 5676

**Wildersdale, Alder Road  
 Sidcup DA14 6PF**

**Pool Cross-section  
 Details**

Drawn by CJK	Date Jan 2024	Scale 1:25
Drawing No. <b>234257 / 01</b>		Revision <b>B</b>