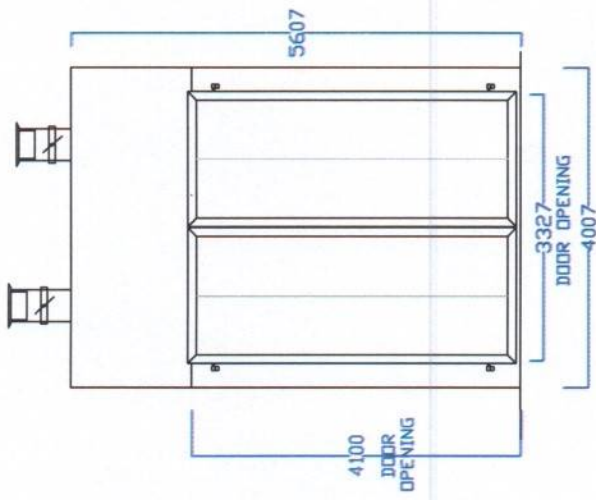
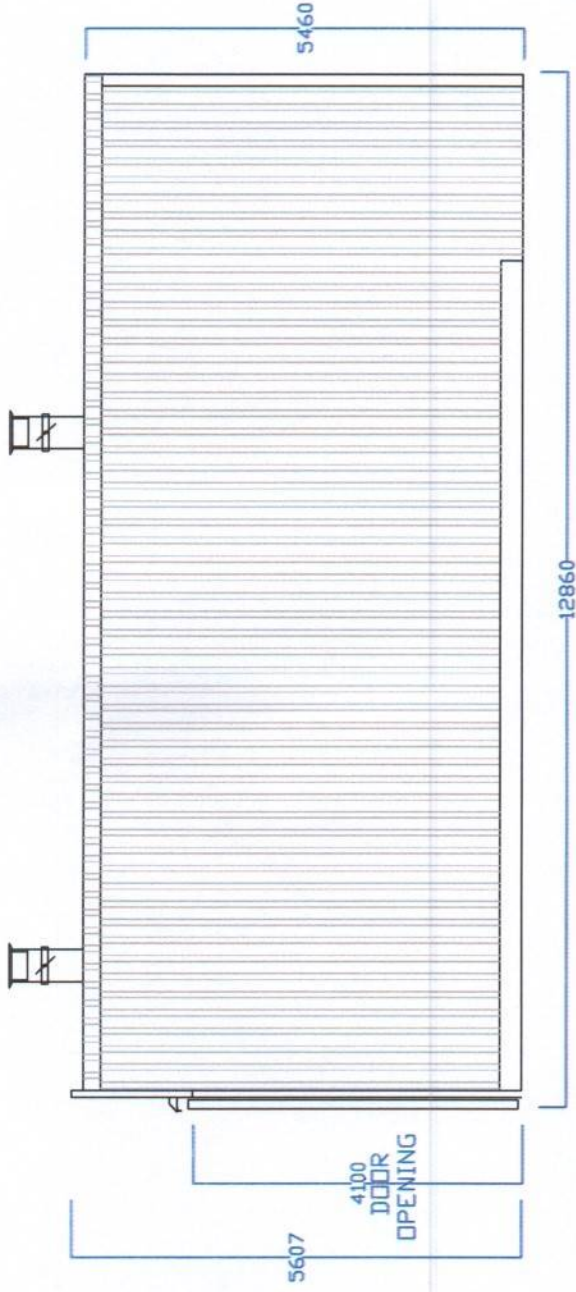


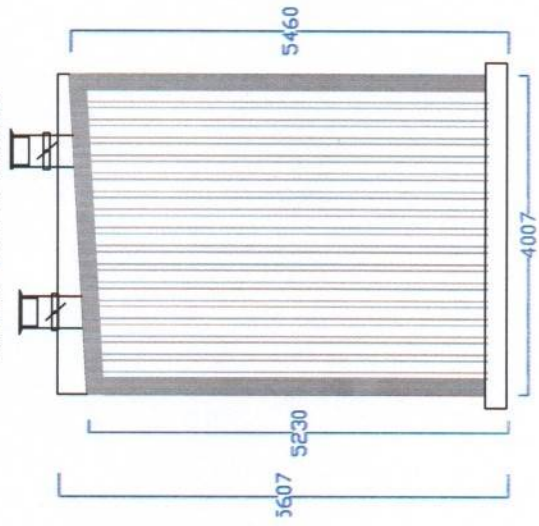
FRONT ELEVATION



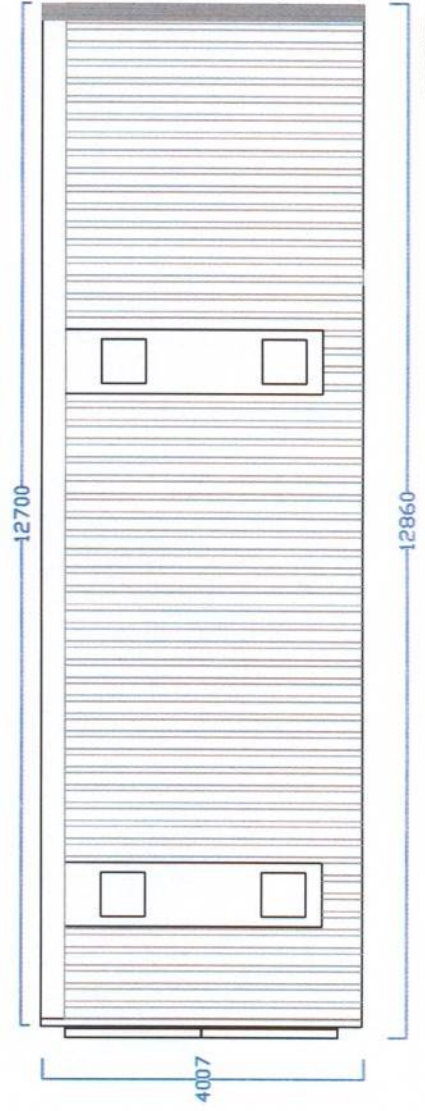
SIDE ELEVATION



REAR ELEVATION



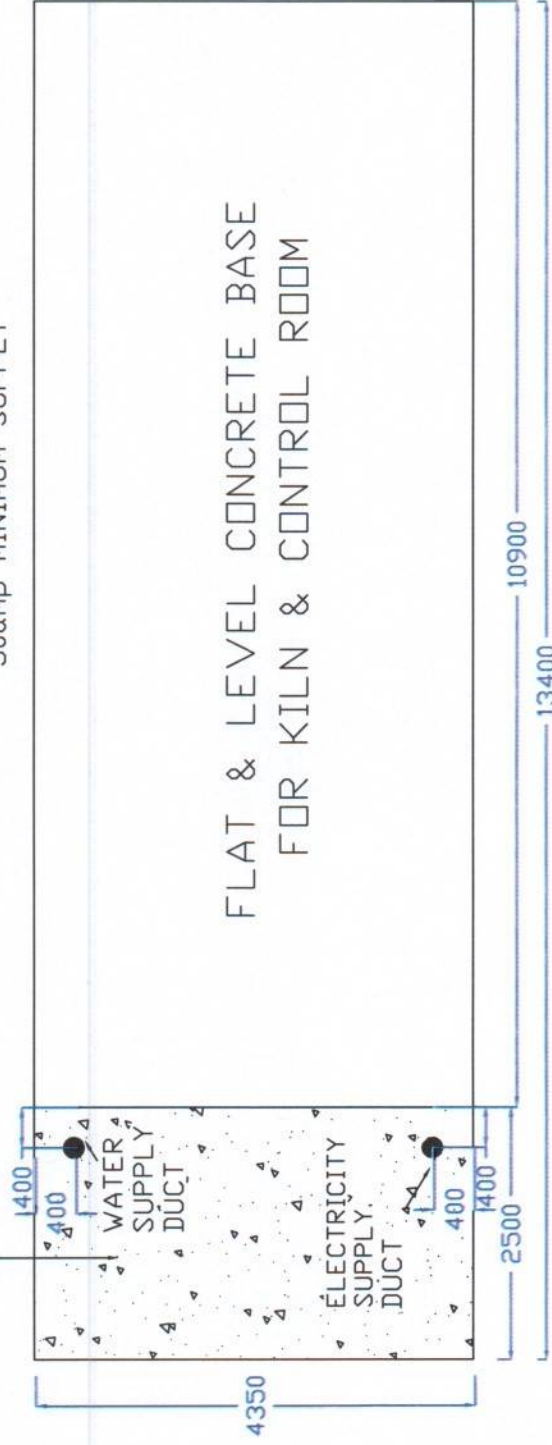
PLAN VIEW



PLAN VIEW OF CONCRETE BASE 200mm DEEP WITH STEEL REINFORCEMENT TO SUIT GROUND CONDITIONS.

* NOTE
WATER SUPPLY
1/2" @ MIN 2 BAR PRESSURE
ELECTRICITY SUPPLY
THREE PHASE & NEUTRAL
50amp MINIMUM SUPPLY

CONTROL ROOM AREA REQUIRES
PLASTIC MEMBRANE AND 50mm
FLOOR SCREED AFTER CONTROL
ROOM ERECTED
INITIALLY SAME LEVEL AS KILN



200 mm DEEP CONCRETE BASE WITH STEEL REINFORCEMENT TO SUIT GROUND CONDITIONS.
WITH DRAINAGE CHANNEL IN POSITION SHOWN TO PREVENT RAINWATER ENTERING DOORWAY

