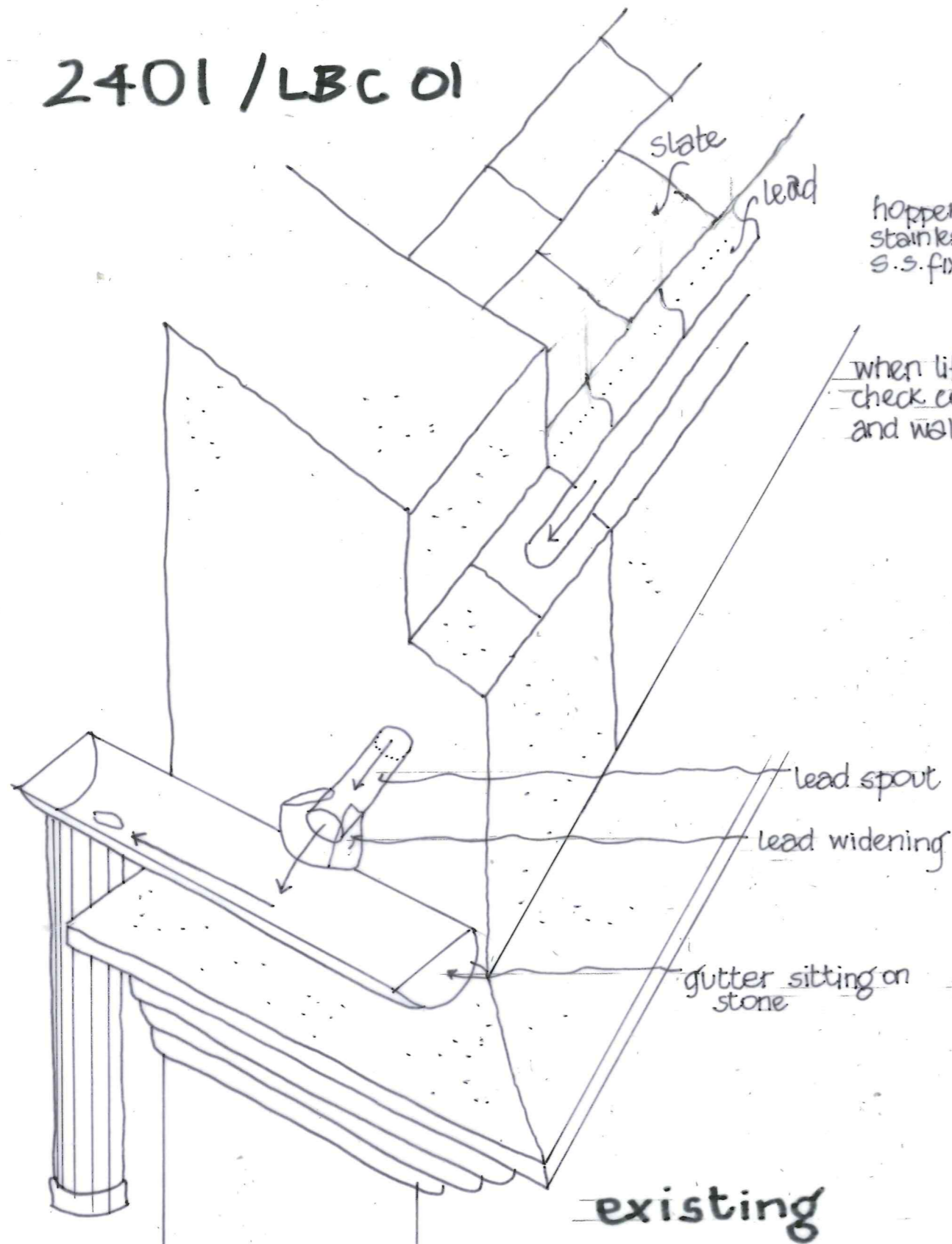


2401 / LBC 01

\* nb. further investigation may be required out with this repair due to the fact that water may have been entering the property for some time.



existing

hopper supported on concealed stainless steel brackets with s.s. fixings into the wall

when lifting existing lead check condition of joist ends and wall plate

connected to existing r.w.p

concealed bracket

rainwater pipe

strip back enough lead to allow for altered outlet and new expansion joint back to existing lead.

carefully strip back slates locally to reveal extent of lead under cloke. Remove end lead section and small outlet (re-use slates)

new lead

core

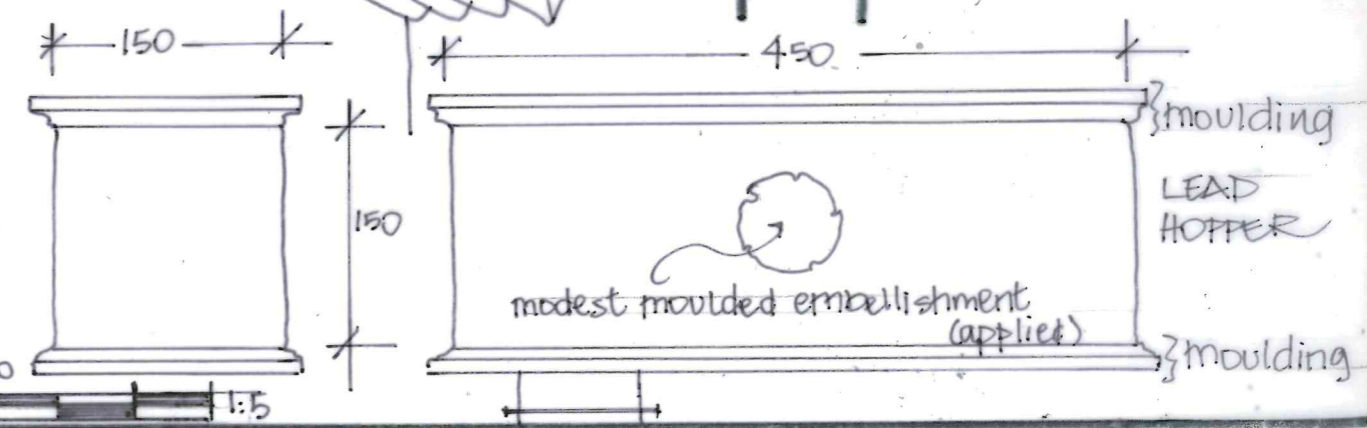
plug with removed core

carefully core through end stone block from outside to prevent stone splittance and angle for drainage

n.b. new hole to be no closer to front or top of existing

set back from front face

proposed



WORK: form leaded throat through the stonework into a traditional leaded hopper dropping into 75mm down pipe

\* when scaffolding erected check exact position of new outlet and down pipe link in order to form bespoke rain water hopper