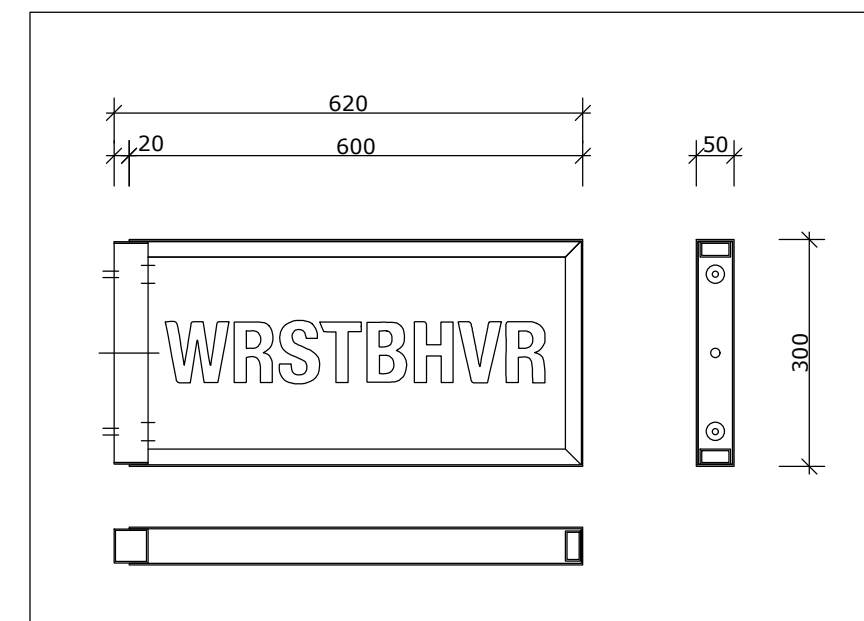
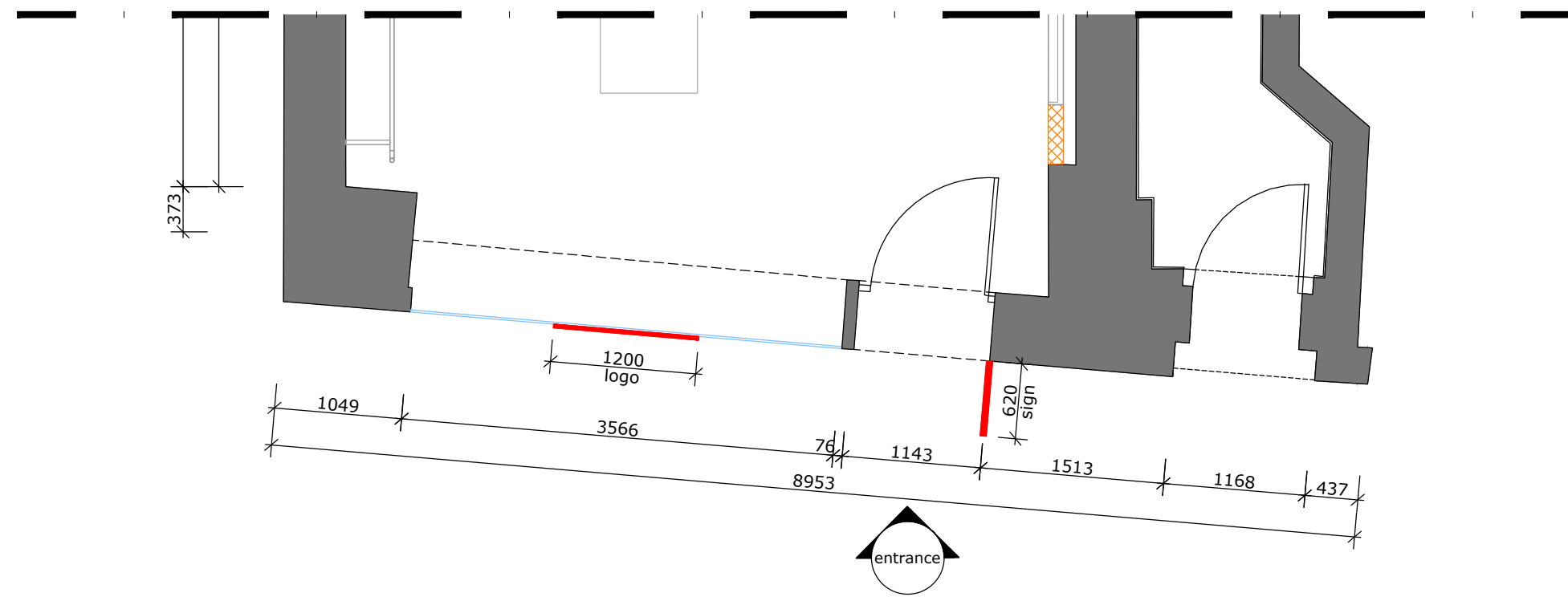




Existing facade



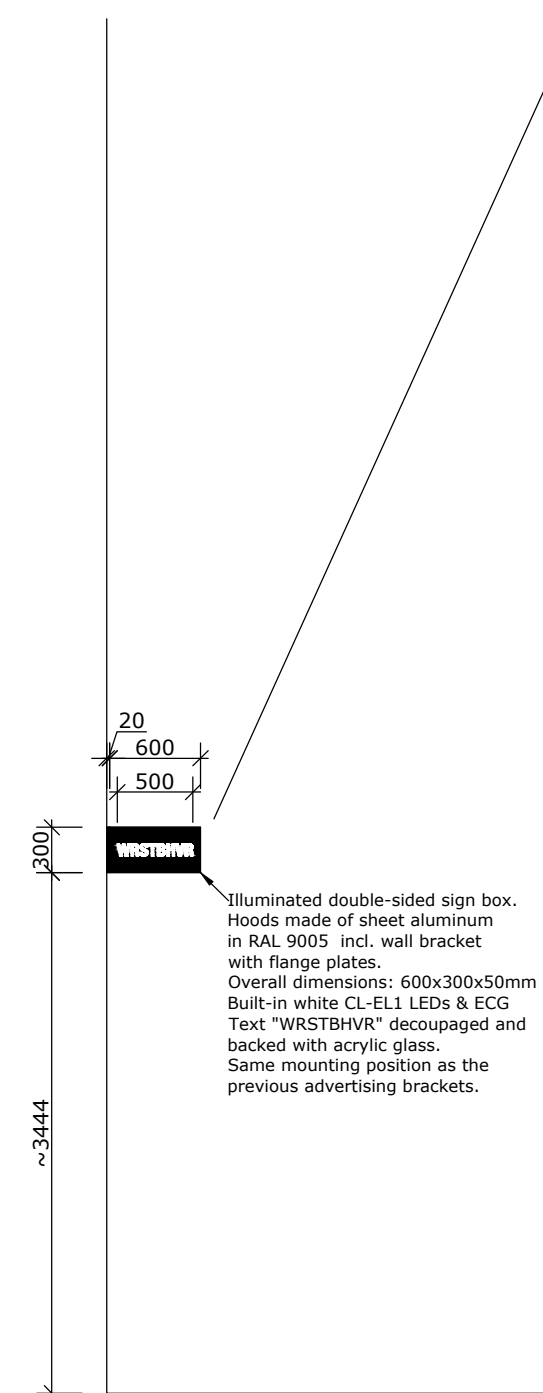
Illuminated blade sign, example from the store in hamburg



facade front elevation

Single letters, glued on from the outside. Milled letters made of 5mm aluminum dibond, with (vertically) brushed surface. Structure: Foil plot made of black sk-foil laminated onto panels with equal coverage. The aluminum dibond letters are glued to this with foam adhesive tape.

The mailbox will be removed and a full-surface glass pane will be inserted. New door handle.



facade side elevation

Illuminated double-sided sign box. Hoods made of sheet aluminum in RAL 9005 incl. wall bracket with flange plates. Overall dimensions: 600x300x50mm Built-in white CL-EL1 LEDs & ECG Text "WRSTBHVR" decoupled and backed with acrylic glass. Same mounting position as the previous advertising brackets.



Logo: Milled letters made of 5mm aluminum dibond

Legend

- Existing walls
- New drywalls
- Deconstruction

All dimensions must be checked at the construction site and discrepancies must be reported to the construction management immediately!

-h-	---	---	---
-g-	---	---	---
-f-	---	---	---
-e-	---	---	---
-d-	---	---	---
-c-	---	---	---
-b-	---	---	---
-a-	issued for approval	08.02.2024	mbo
status	description	date	drawn

STORE	<b>WRSTBHVR</b>
WB23-0147 worstbehavior london london, great britain	
la poland street london, WIF london, great britain	
gross area:	96,17 sqm
sales area:	81,26 sqm
storage:	5,41 sqm

DESIGN EXECUTION scale 1:50 ISO A1 in mm unless noted otherwise  
 FACADE V2 illuminated (X\_FAC2)

Moysig Design UG  
(Haftungsbeschränkt)  
 Sophienstraße 4  
 D-32051 Herford  
 phone.: +49-5221 - 99446 - 10

andreas.pflaum@moysig.de  
 www.moysig.de  
 contact person: Andreas Pflaum  
 Tel.: -18

**MOYSIG DESIGN**