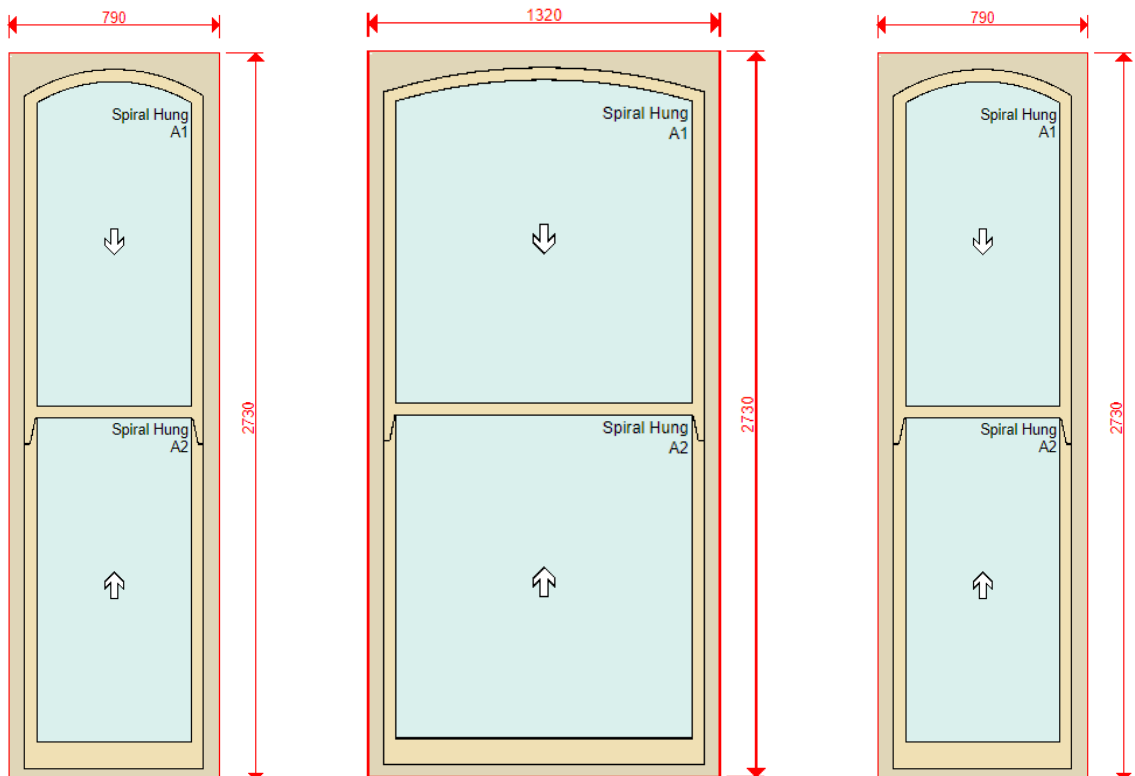


Front bay at ground floor level

View: External

- Arched head follows the radius of the respective brick arches of the bay



Type: Standard Sash window

Material: Softwood with hardwood sill

System: Multi-layered engineered timber

Opening system: Spring balance

Dimensions: 790 x 2730, 1320 x 2730, 790 x 2730

Glass: 4T ESG/16A/4 ESG

Paint: Factory spray painted

Colour (inside/outside): RAL9016

Ironmongery: Standard

Colour: TBC

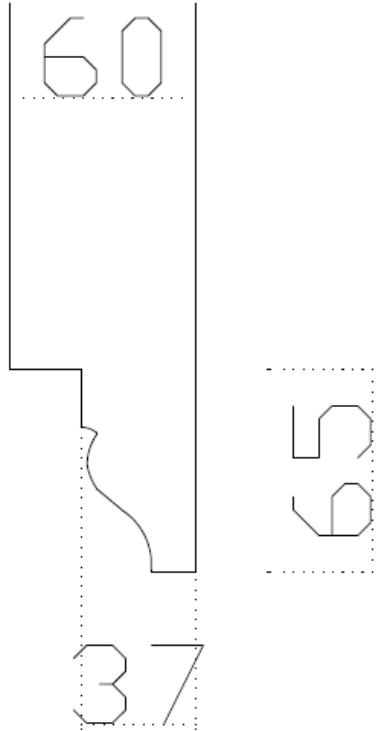
Quantity: 1

Location: P00_W01, Front Bedroom bay - Ground Floor

Internal arched

Horn detail:

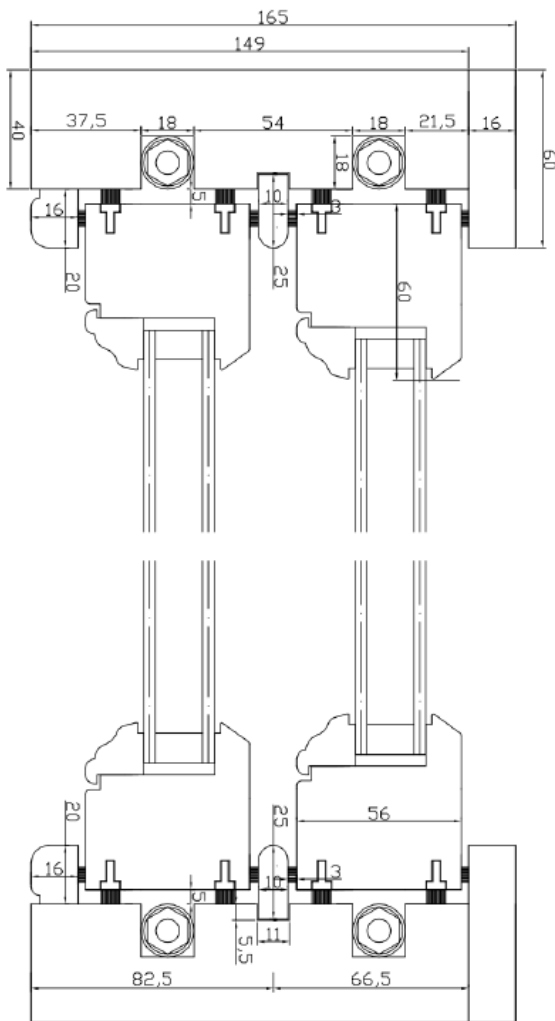
- Designed as an integral piece of the upper sash joinery





Standard Sash Window – spring balance cross section.

Horizontal:



Vertical:

