



Double Wooden Carport CLASSIC DUO, 6x6 m (20'x20'), 36 m²

Product #AV038-4

- Interchange the opposite walls!
- Premium windows & doors
- Hardware kit included
- Window and door seals included
- Storm braces included
- Pure glass - no cheap plastic
- Reliable floor bearers
- Polite & Convenient delivery
- Made while protecting the forests
- Better resistance to rot & mould
- Moisture resistant door and windows
- Reinforced roof construction
- Secure locks & hinges
- Direct from the factory

£3,821.00

~~£4,049.00~~ / You save £228.00

The price includes:

wooden building kit, hardware kit, delivery, offloading, VAT.

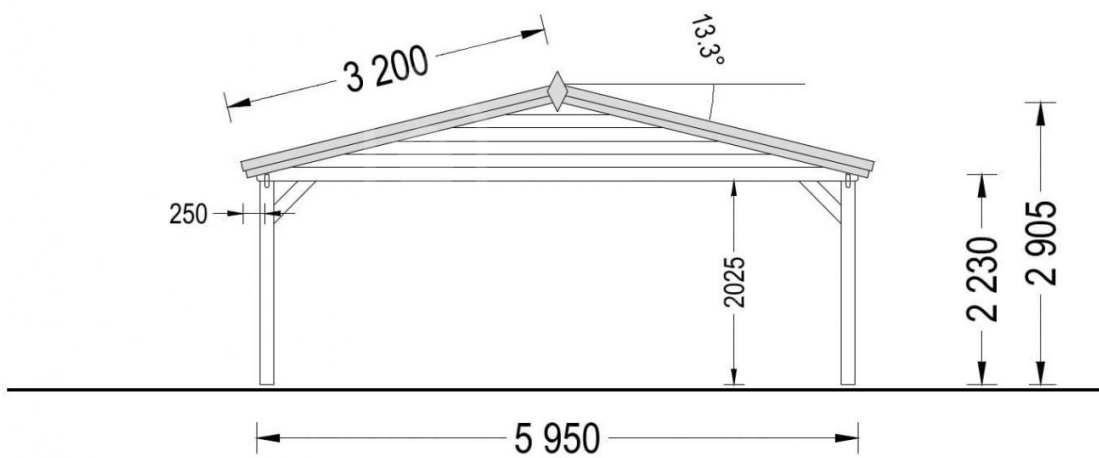
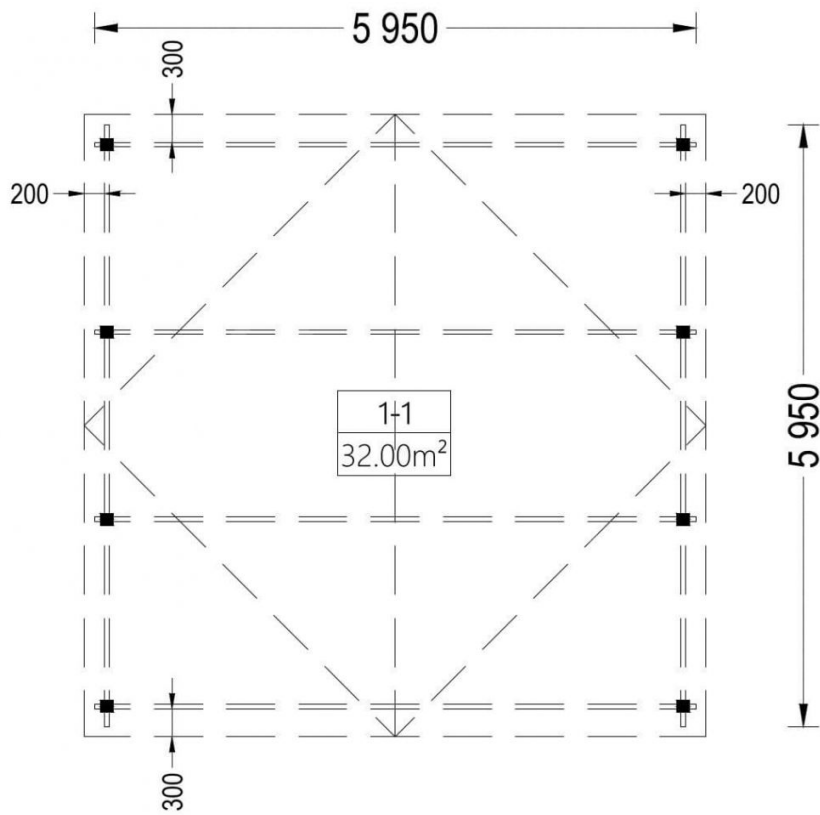
Visit our website to make sure this is the current price:

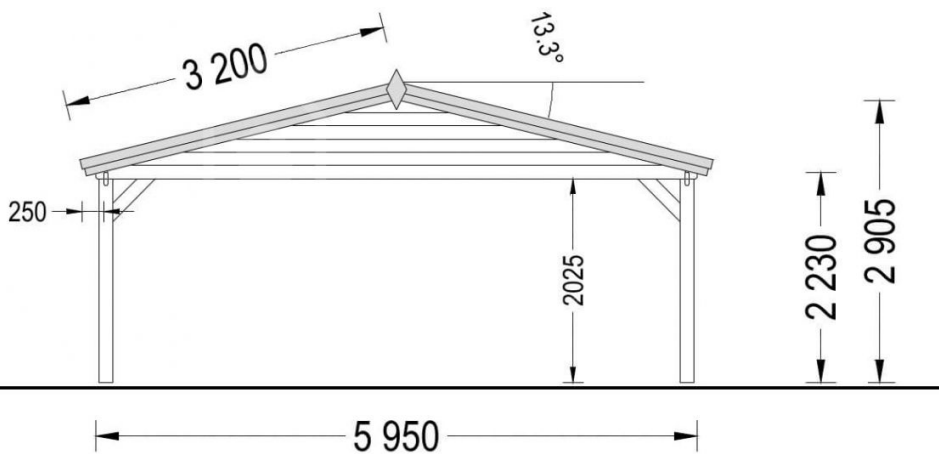
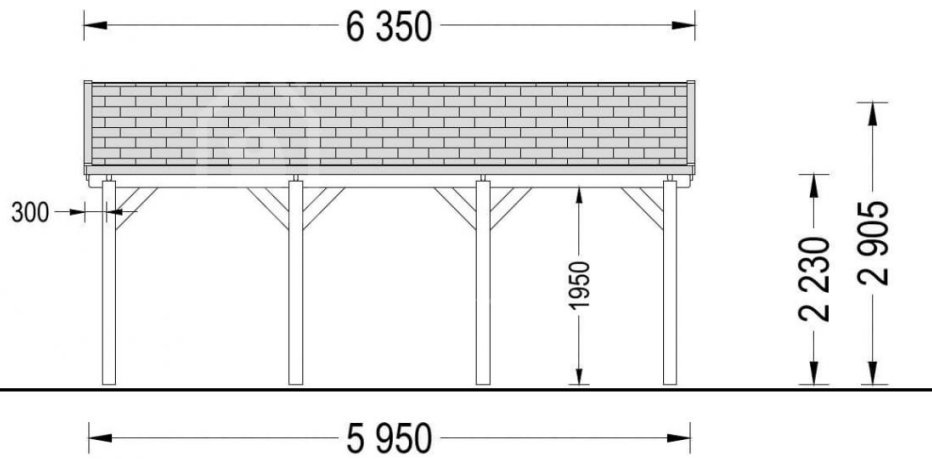
<https://www.quick-garden.co.uk/AV038-4>

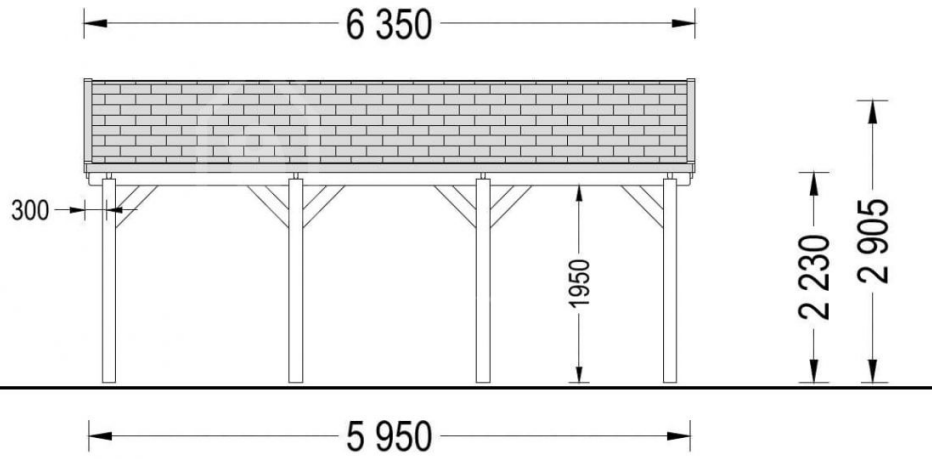


Finance available. Contact us!

Specifications & detailed sketches







Product specifications

Material	Slow grown spruce
Eaves height	223 cm
Ridge Height	290,5 cm
Roof	19 - 20mm thick tongue & groove boards
Anti Rot Warranty	10 Year
Roof Covering Material	Optional
External dimensions (WxD), Metric	595 x 595 cm
Floor	-
Wood Treatment	Optional

Select product features according to your needs

EPDM Roof Covering Material		+£1,024.00
Terrano metal roofing		+£2,737.00
Woodshed 2.2m x 1.44m		From +£925.00
Bitumen roofing shingles + underlay	Red shingles	+£695.00
	Green shingles	+£695.00
	Black shingles	+£695.00
Metal roofing	Green	+£2,344.00
	Black	+£2,344.00
	Red	+£2,344.00
Steel gutter system Ruukki	Anthracite Grey	+£744.00
TIKKURILA Ultra Classic paints	Yellow	+£223.00
	Brown	+£169.00
	White	+£161.00
	Clear	+£194.00

Customer Service

Free delivery *

Mainland England and Wales

4 - 8 working days for products in stock

4 - 8 weeks for products not in stock or custom-made products

Mainland Scotland

8 - 15 working days for products in stock

4 - 8 weeks for products not in stock or custom-made products

* An extra charge for deliveries to mainland Scotland applies only for items which are priced under £3000. In such cases you will find these charges on each product page. For all items whose price is over £3000, delivery to mainland Scotland is free of charge.

Payment

We accept card and bank payments.

To submit your order, you can either choose to pay a deposit of 20% of the total price or to pay the whole price in one go.

Planning permission

Contact us for any advice you may need regarding basic planning permission or building regulation matters. We will always be happy to help you.

10 yrs. warranty

All garden buildings with a wall thickness of at least 34mm come with a 10-year anti-rot guarantee. Structures with 28mm wall thickness come with a corresponding 5-year anti-rot guarantee.