



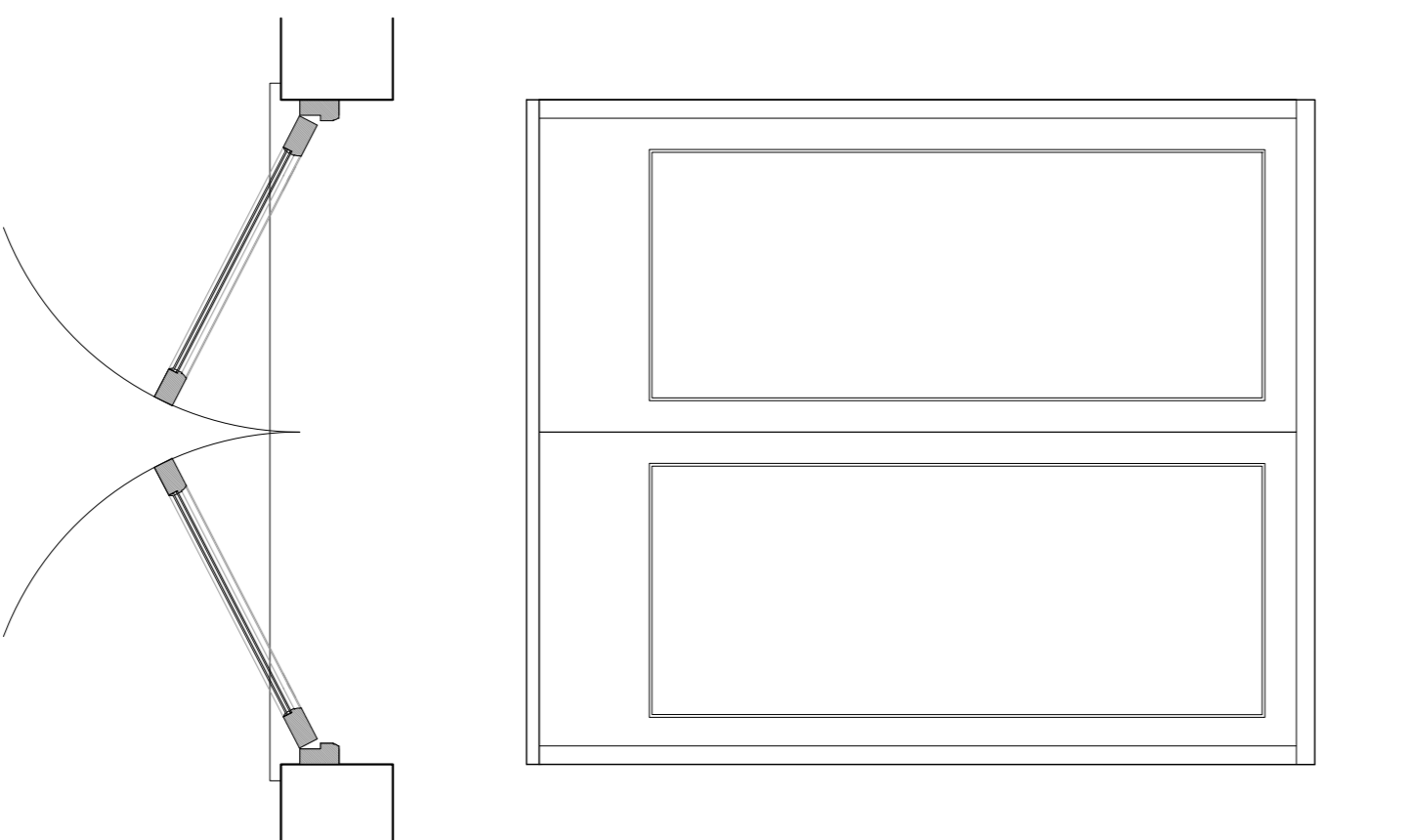
Brickwork Plinth

Brick work plinth to be Wienerberger - Olde Essex Red Multi. To be laid in Flemish bond with nominal 12mm flush joint with a brushed finish.
Mortar Mix: 1:1.4:3 (cement:lime:sand)

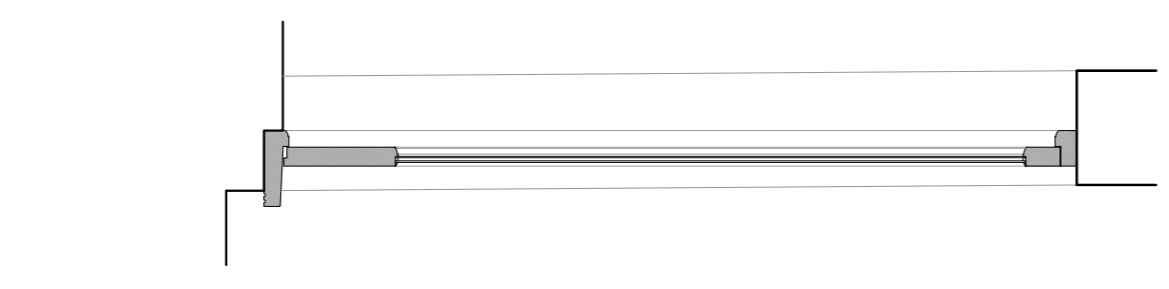


Natural slate

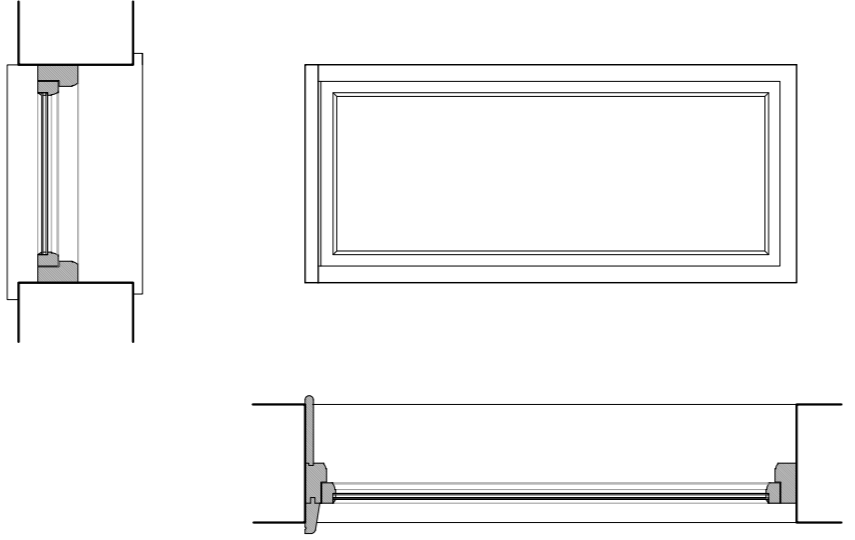
Natural slate - Cupapizarras, CUPA 5 Dark grey natural slate with a riven surface. Rainwater goods to be black coated, cast aluminium half round gutters and down pipes.



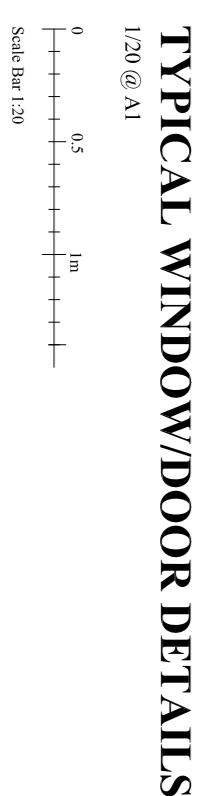
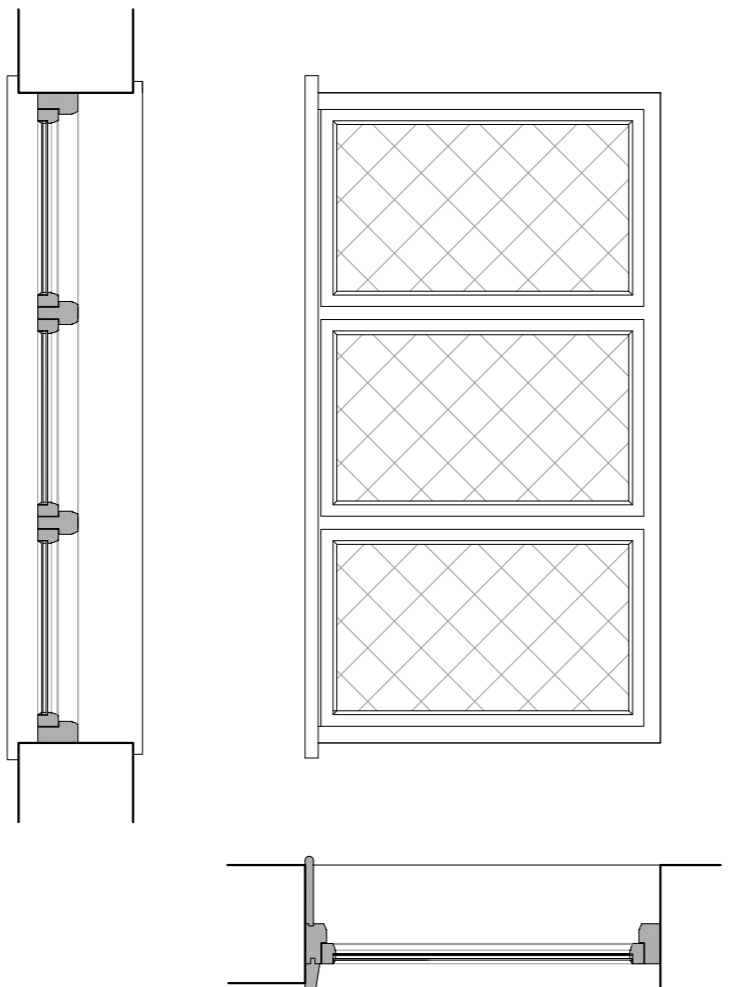
Door Patio Doors
(timber, double glazed)



New Windows
(timber, double glazed casements)



Replacement Windows
(leaded timber, double glazed casements)



TYPICAL WINDOW/DOOR DETAILS
1:20 @ A1
Scale Bar 1:20

The above line measures 200mm in length when printed correctly

IAN ABRAMS
ARCHITECT LIMITED

5 The Stables, Station Road, Newport, Essex, CB11 3RN
Telephone: 01799 543 653
Email: ian@ianabrams.co.uk
www.ian-abrams-architects.co.uk

Job title
Proposed Garden Room
at
Saffrons
Maggots End
Manuden

Drawing title
Proposed Details

Scale	Date	Drawn
AS SHOWN @A1	Feb 2024	CH
Drawing No		Rev
130523.07		-