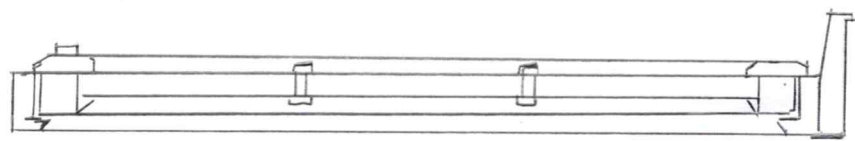
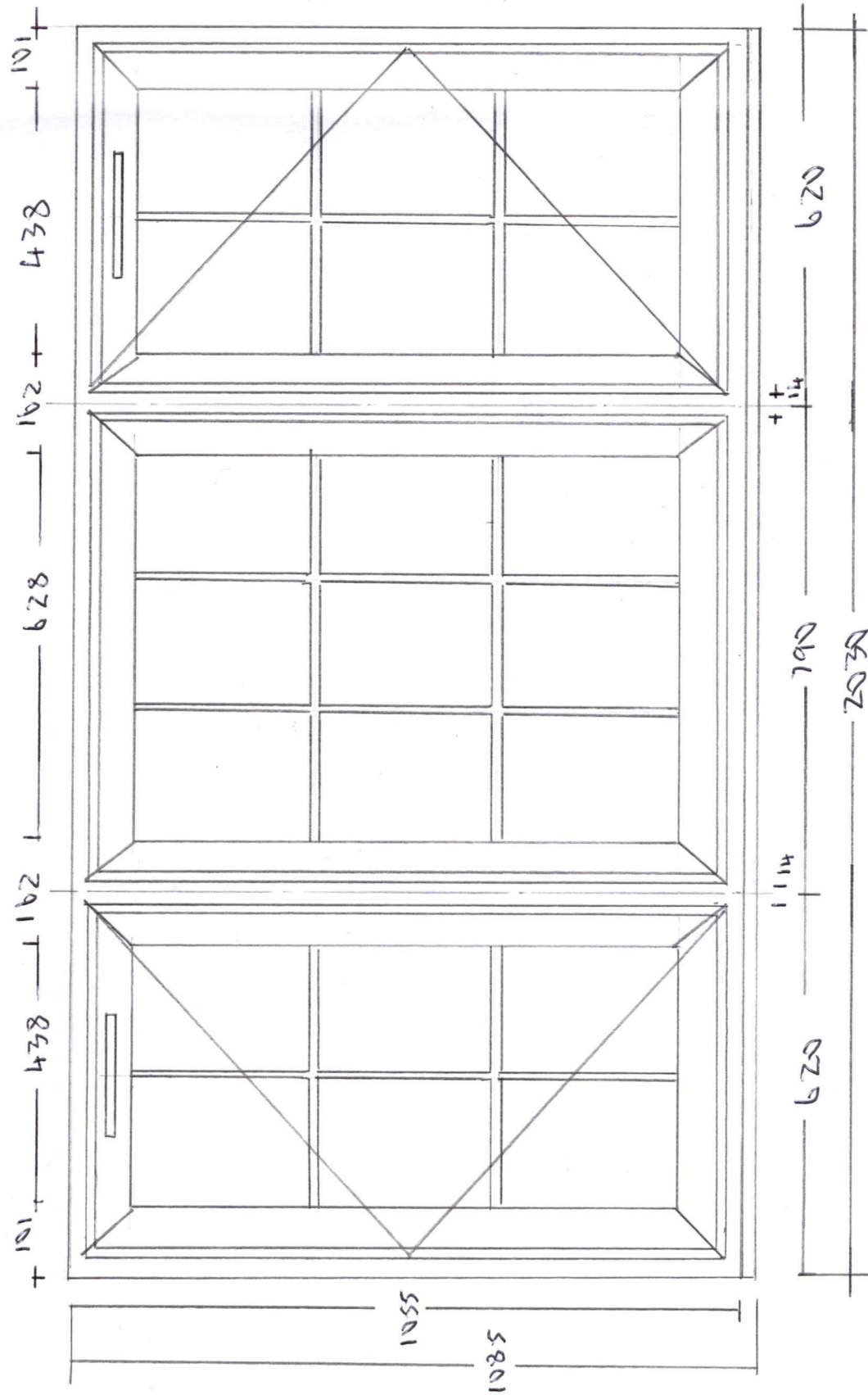


MRS SMITH
43 DICKSON ROAD
ELTHAM
SE 9 6LE
REF: -51971/1
SCALE 1:10 ON A3
0 100 200 300 400 500
PROPOSED UPVC WINDOWS
A DOORS REPLACEMENTS
THE ORIGINAL DOORS
06-02-2024
DRAWN BY
MR C BUTTERFIELD
SURVEYOR
SWISS WINDOWS
AMENDED 19.12.2024
CROSS SECTIONS

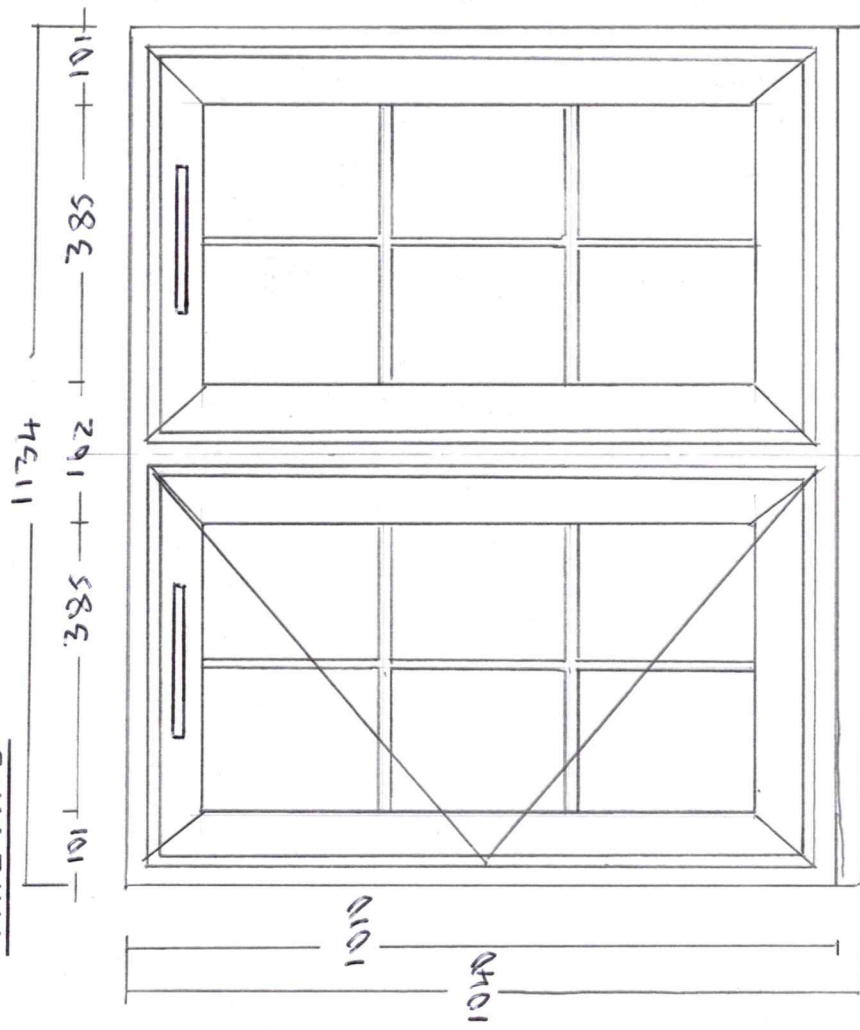
WINDOW 2



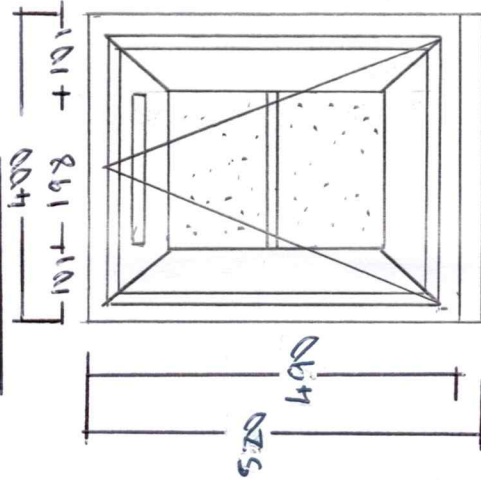
= 20

= 20

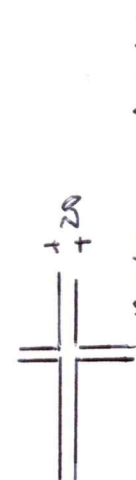
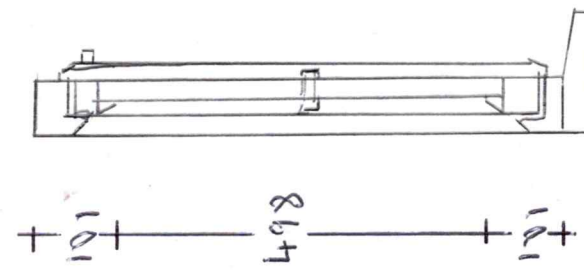
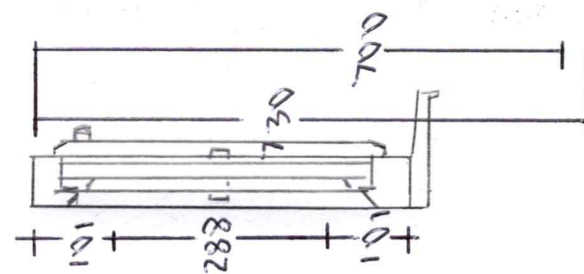
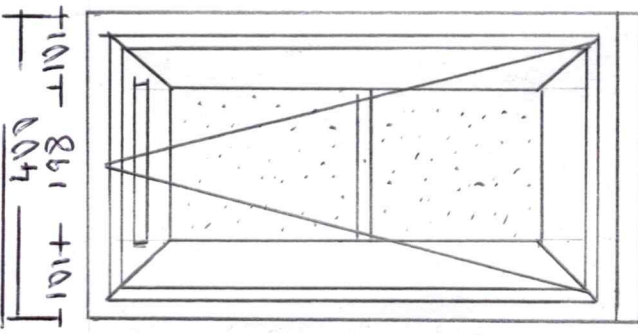
WINDOW 6



WINDOW 4



WINDOW 5



ASSEMBLY DOORS

