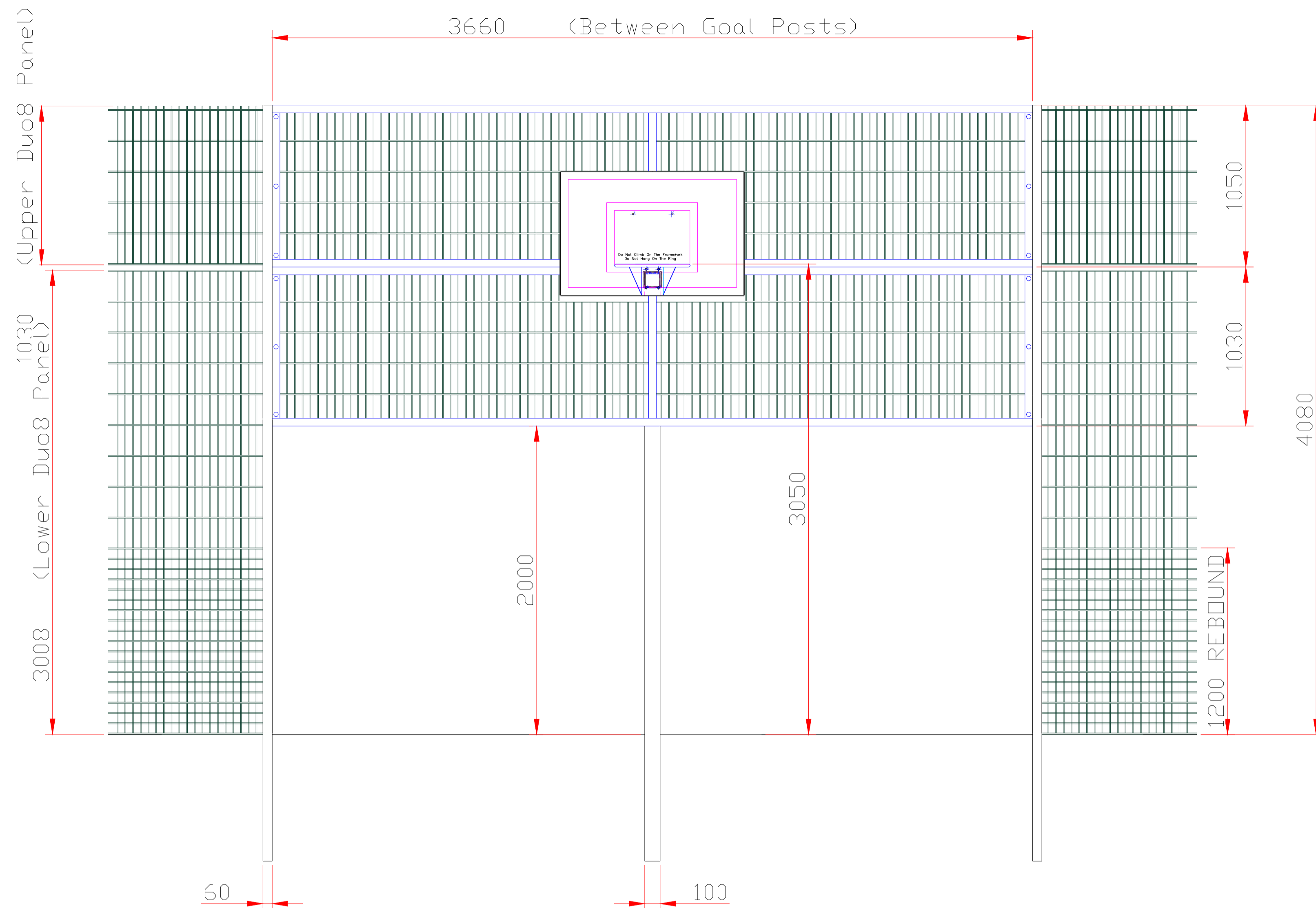


1 - ALL DIMENSIONS TO BE CHECKED ON SITE PRIOR TO COMMENCEMENT OF WORKS.
 2 - THIS DRAWING IS © COPYRIGHT. THIS DRAWING AND DESIGN MUST NOT BE COPIED OR USED WITHOUT THE EXPRESS CONSENT OF MUGA-UK LTD
 3 - ALL PERSONNEL SHOULD BE AWARE OF THE HEALTH AND SAFETY PLAN WHICH IS RETAINED IN THE SITE MANAGERS OFFICE

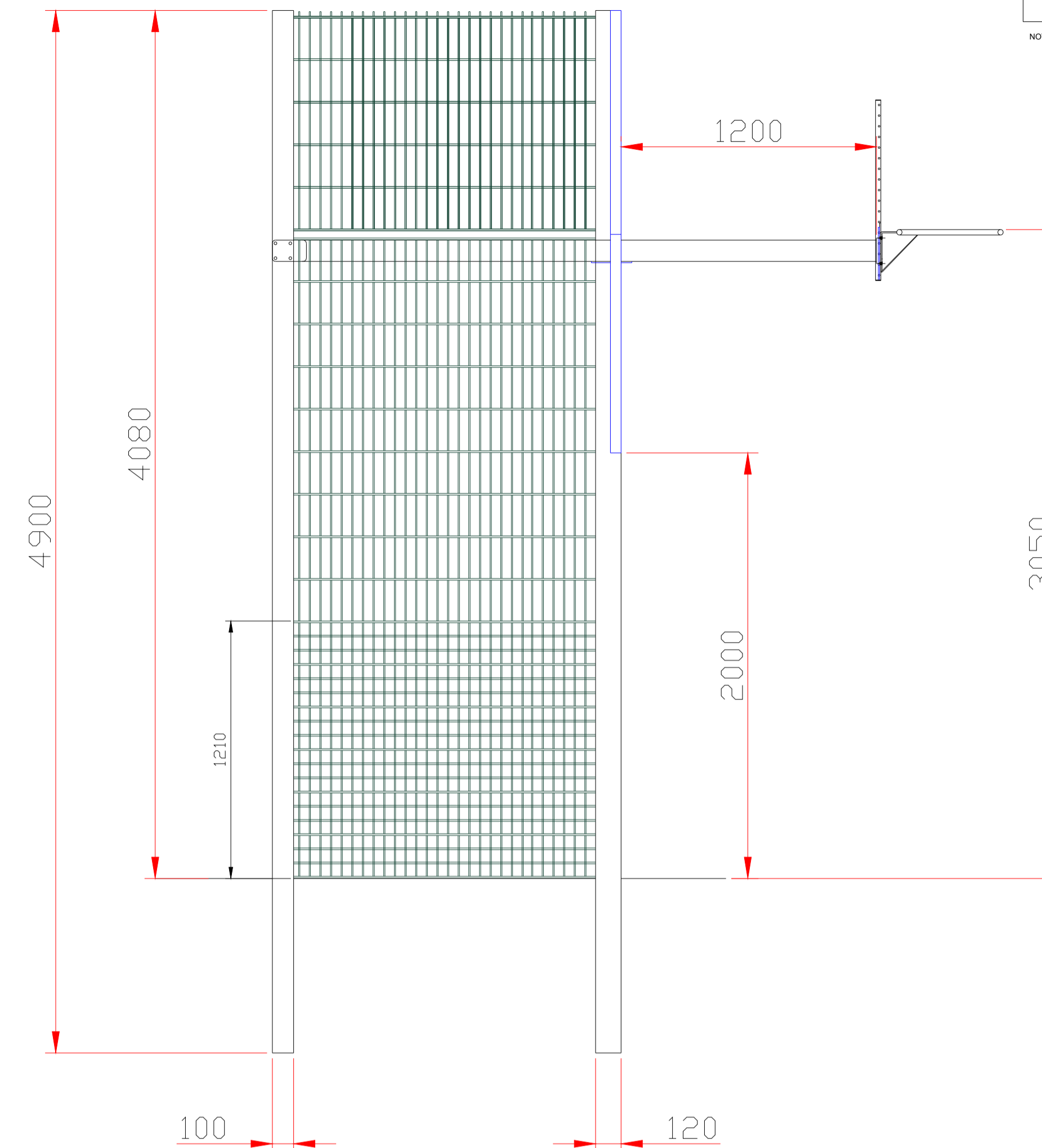
HEALTH AND SAFETY NOTE

ALL PERSONNEL SHOULD BE AWARE OF THE HEALTH AND SAFETY PLAN WHICH IS RETAINED IN THE SITE MANAGERS OFFICE

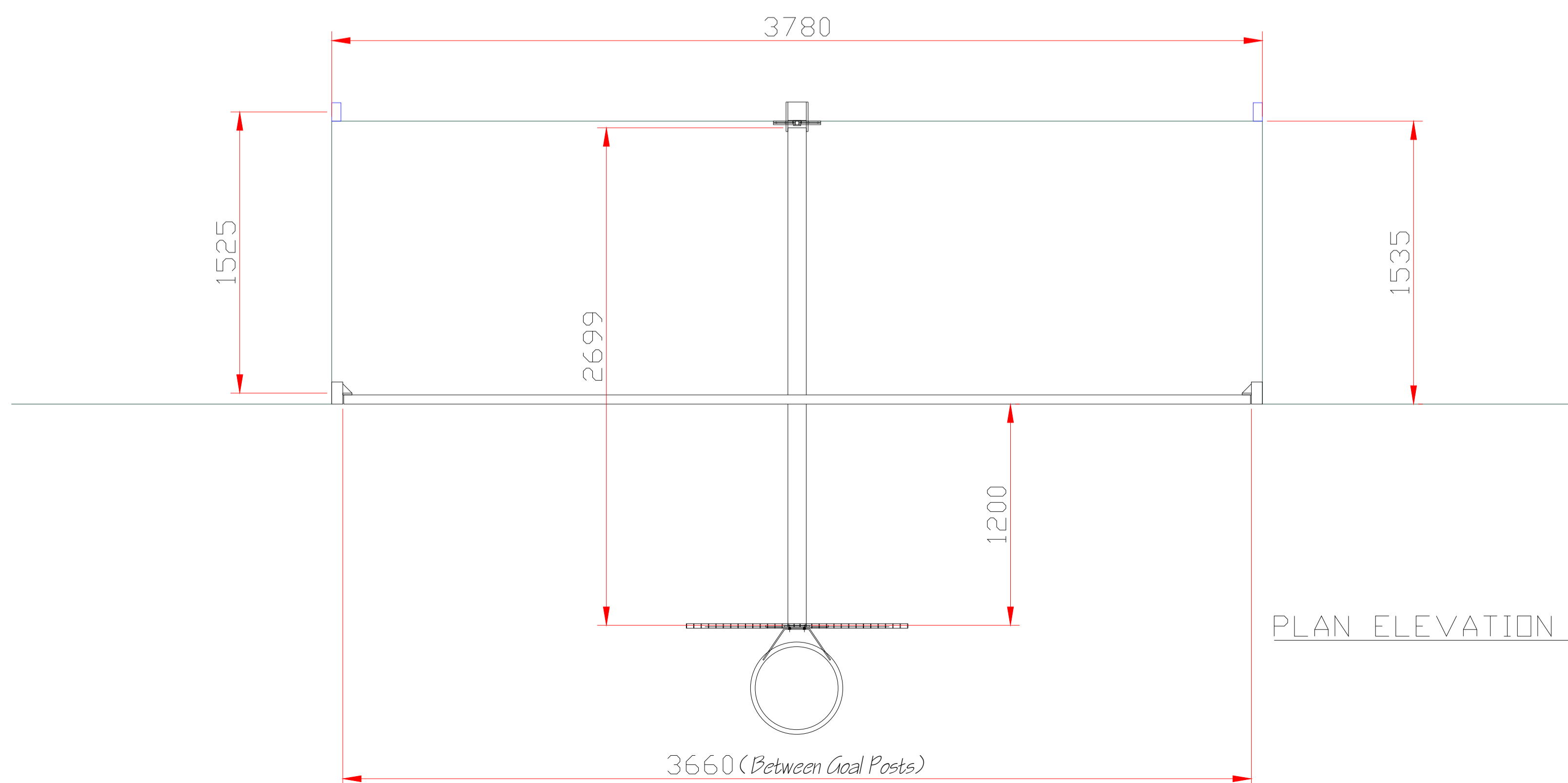
NOTES



VIEW ON GOAL AREA
(From inside of Court)



SIDE ELEVATION
ON RECESSED
GOAL AREA



PLAN ELEVATION ON GOAL RECESS

MUGA UK

SPORTS PITCH CONSULTANTS

Mill Farm Hathern Road Shepshed Leicestershire
 LE12 9RP t: +44 (0) 1509 503408 f: +44 (0) 1509 506420

PROJECT TITLE PROJECT NUMBER

**OAK GREEN
PRIMARY SCHOOL** **MUK3123**

TITLE

**PROPOSED GOAL RECESS
WITH RING OVER**

DRAWING No REV SCALE

MUK3123-10 **1:20**

DRAWN BY **Neil McHugh** DATE **19-01-24**

CHECKED BY SIZE/PLOT **A1**

ACAD FILE