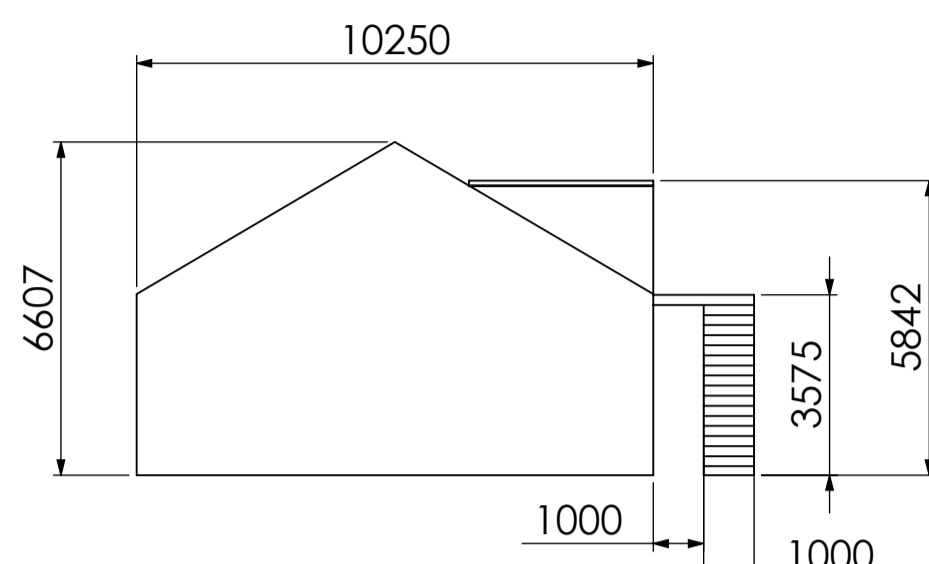
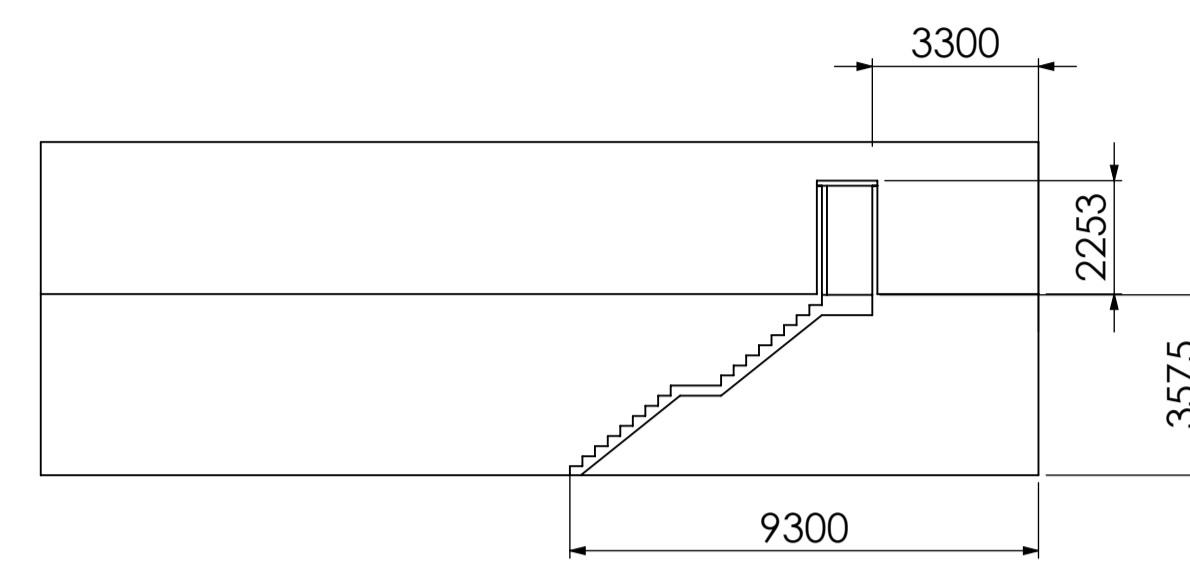


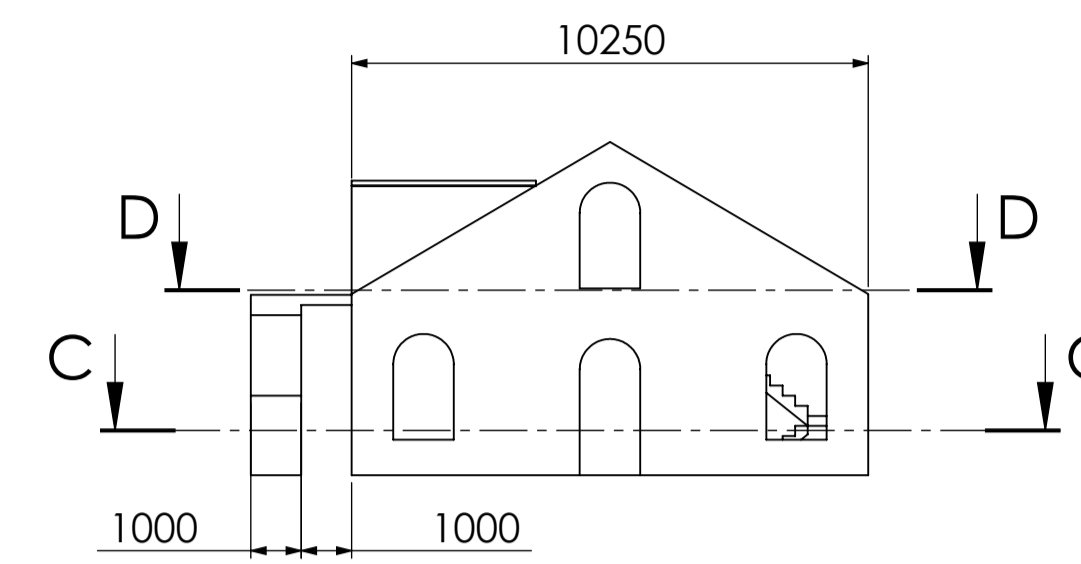
SIDE VIEW



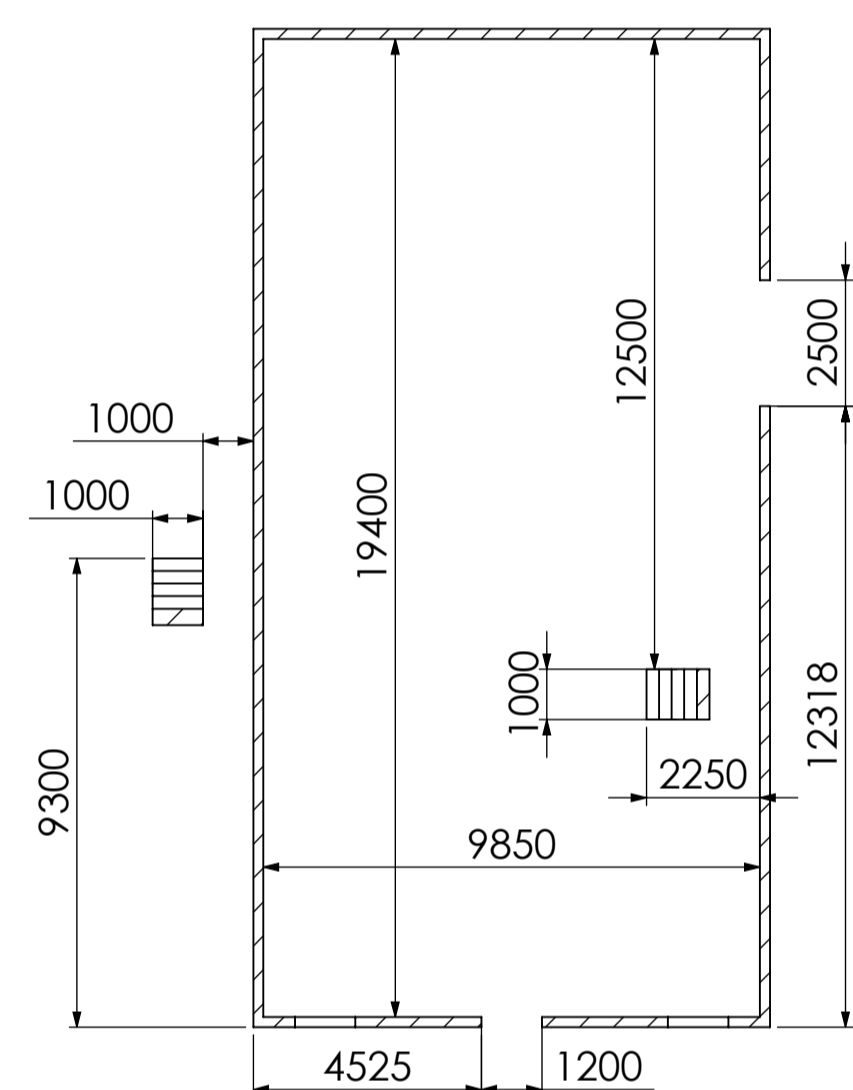
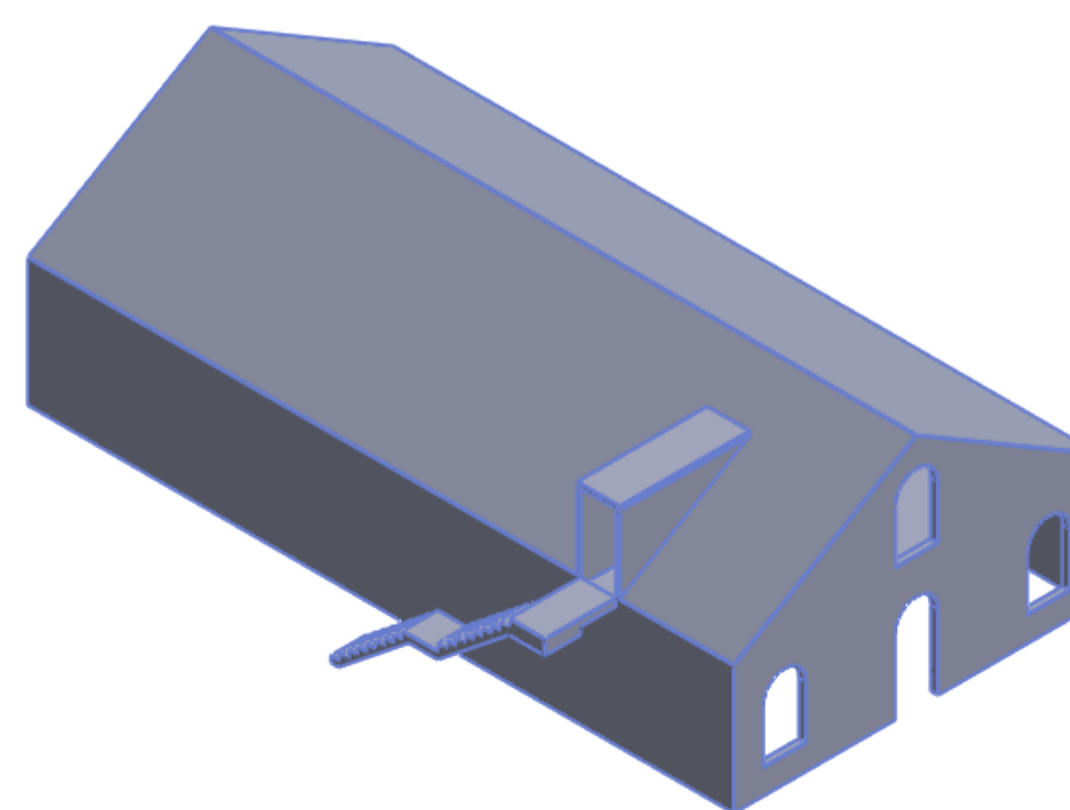
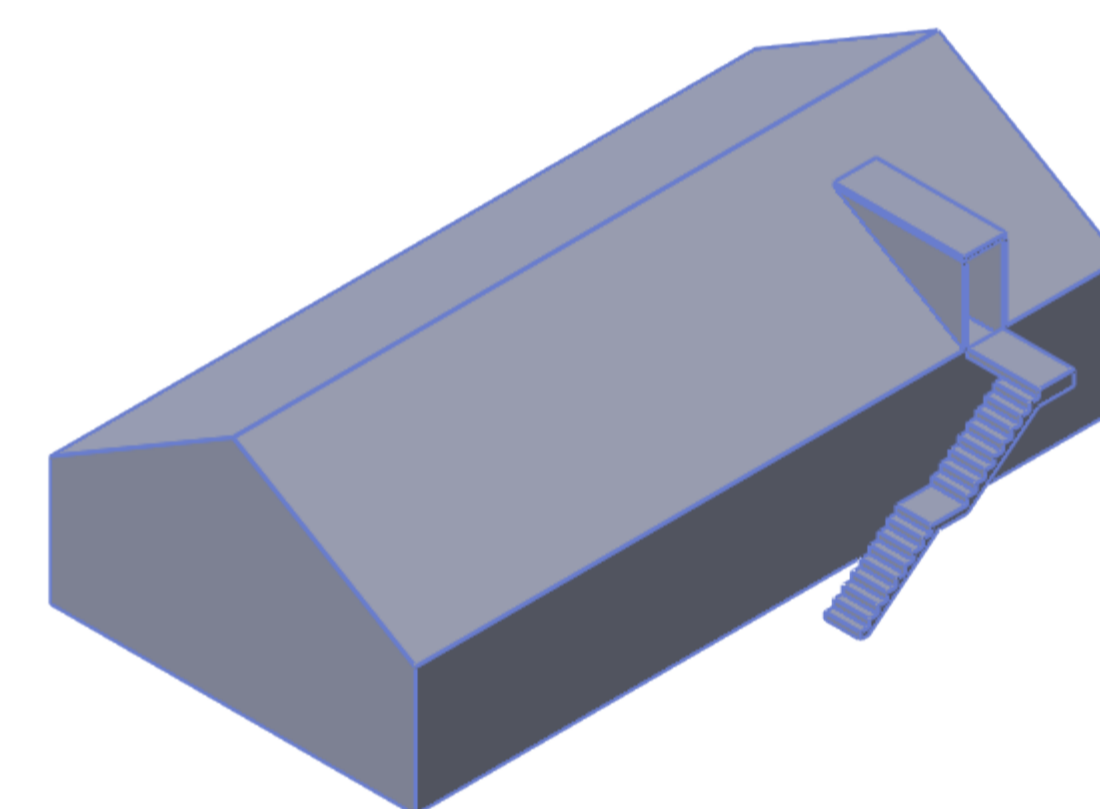
REAR VIEW



SIDE VIEW



FRONT VIEW



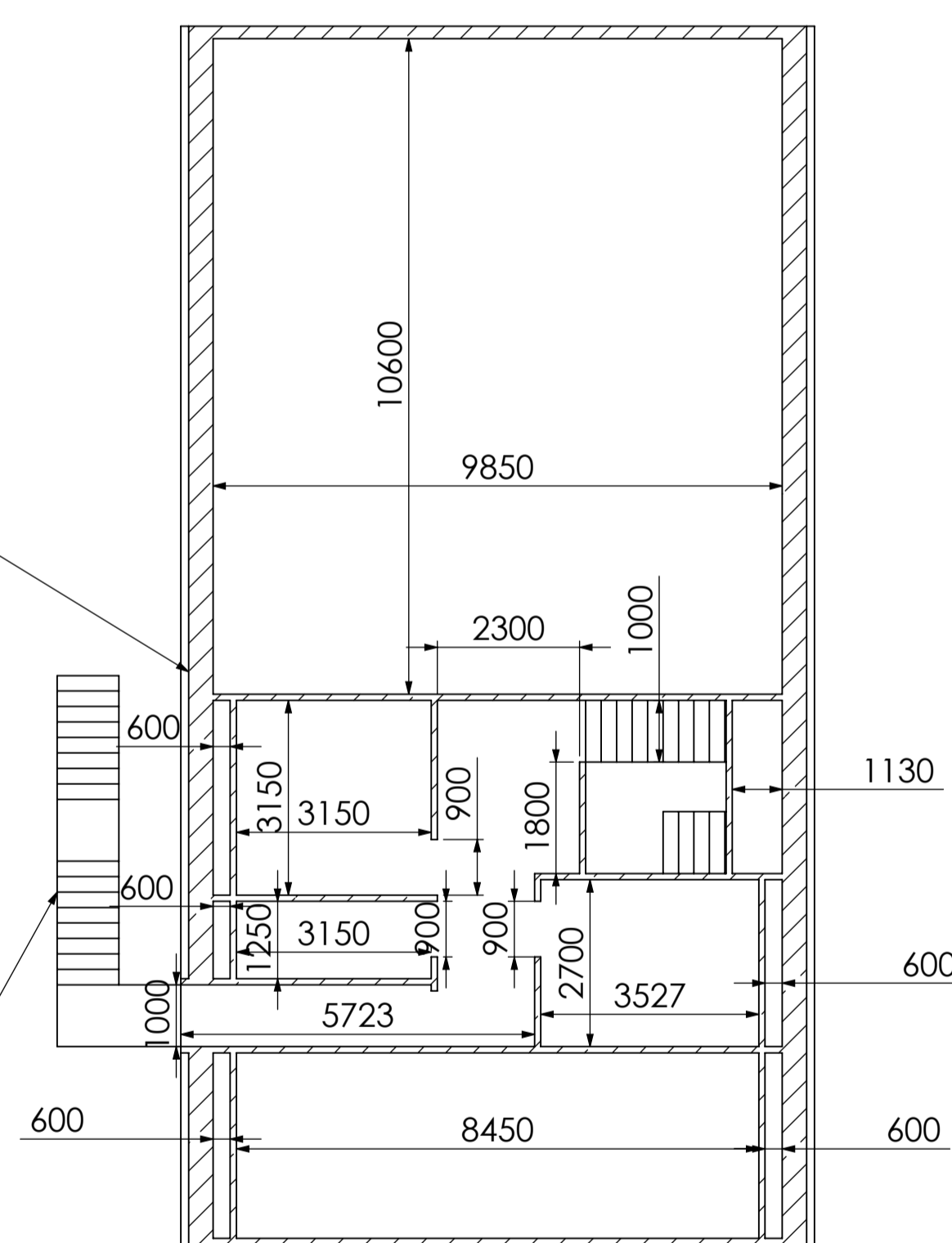
GROUND FLOOR

SECTION C-C
SCALE 1 : 150

- ALL INTERNAL WALLS ARE 100MM.
- ALL FIRE DOORS ARE 900MM WIDTH.

EMERGENCY LIGHT

FIRE ESCAPE STAIRS



FIRST FLOOR

SECTION D-D

NEW LAYOUT OF THE BUILDING



Copyright
This drawing and associated model files are the property of: HTD CONSULTANCY LTD.
The use of or copying of this drawing and associated model files must be approved by HTD CONSULTANCY LTD.

PROJECT: 129 Quebec Rd
Tilbury, Essex

CLIENT: Suffolk Steel Solutions

DO NOT SCALE DRAWING THIRD ANGLE PROJECTION
ALL DIMENSIONS IN Millimetres [mm] U.O.S. Unless Indicated by SECTION or SPECIFIC VIEW

0086-CPR-623240
EN 1090-1:2009+A1:2011
Execution of steel structures and Aluminium structures
WELDING PROCEDURES Code/Testing standard EN 15614-1: 2012
Site Welding MMA Process EN PQR00208 PWP00141
GENERAL TOLERANCING in Accordance with BS EN 1090 U.O.S.
Factory Welding MIG/MAG Process EN PQR00184 PWP00067

3.2 DEBUR AND BREAK SHARP EDGES GEOMETRIC TOLERANCES AS STATED UNLESS OTHERWISE SPECIFIED		3RD ANGLE PROJECTION		COPYRIGHT TUBE LINES LTD 2012. ALL RIGHTS RESERVED. NO PART OF THIS PUBLICATION MAY BE REPRODUCED OR TRANSMITTED IN ANY FORM WITHOUT THE WRITTEN PERMISSION OF THE COPYRIGHT HOLDER.	
LINEAR 0 D.P. = ±1 1 D.P. = ±0.5 2 D.P. = ±0.15	ANGULAR ±0.5°	DRAWING APPROVAL		HTD Consultancy Ltd	
MATERIAL		DESIGN AA	DATE 08/02/2024	TITLE BUILDING LAYOUT NEW BUILDING	
FINISH		DRAWN AA	DATE 08/02/2024		
BASED ON	USED ON	CHECKED JW	DATE 08/02/2024		
		APPROVED JW	DATE 08/02/2024		
WEIGHT (APPROX) kg	IF IN DOUBT ASK DO NOT SCALE DRAWING	SCALE 1:100	SIZE A1	DRAWING No. HTD014-0002	SHT 1 OF 1 ISSUE 1