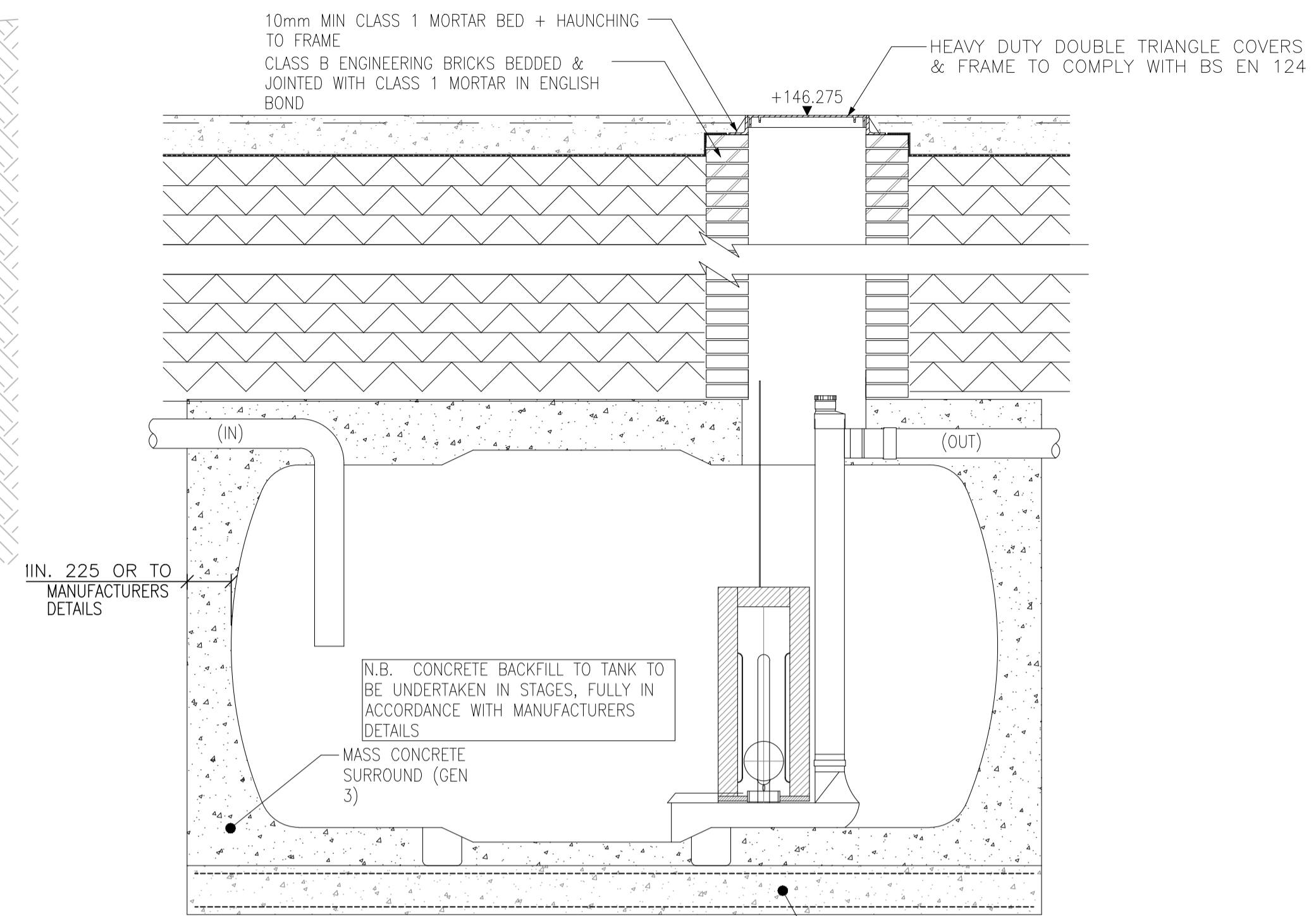
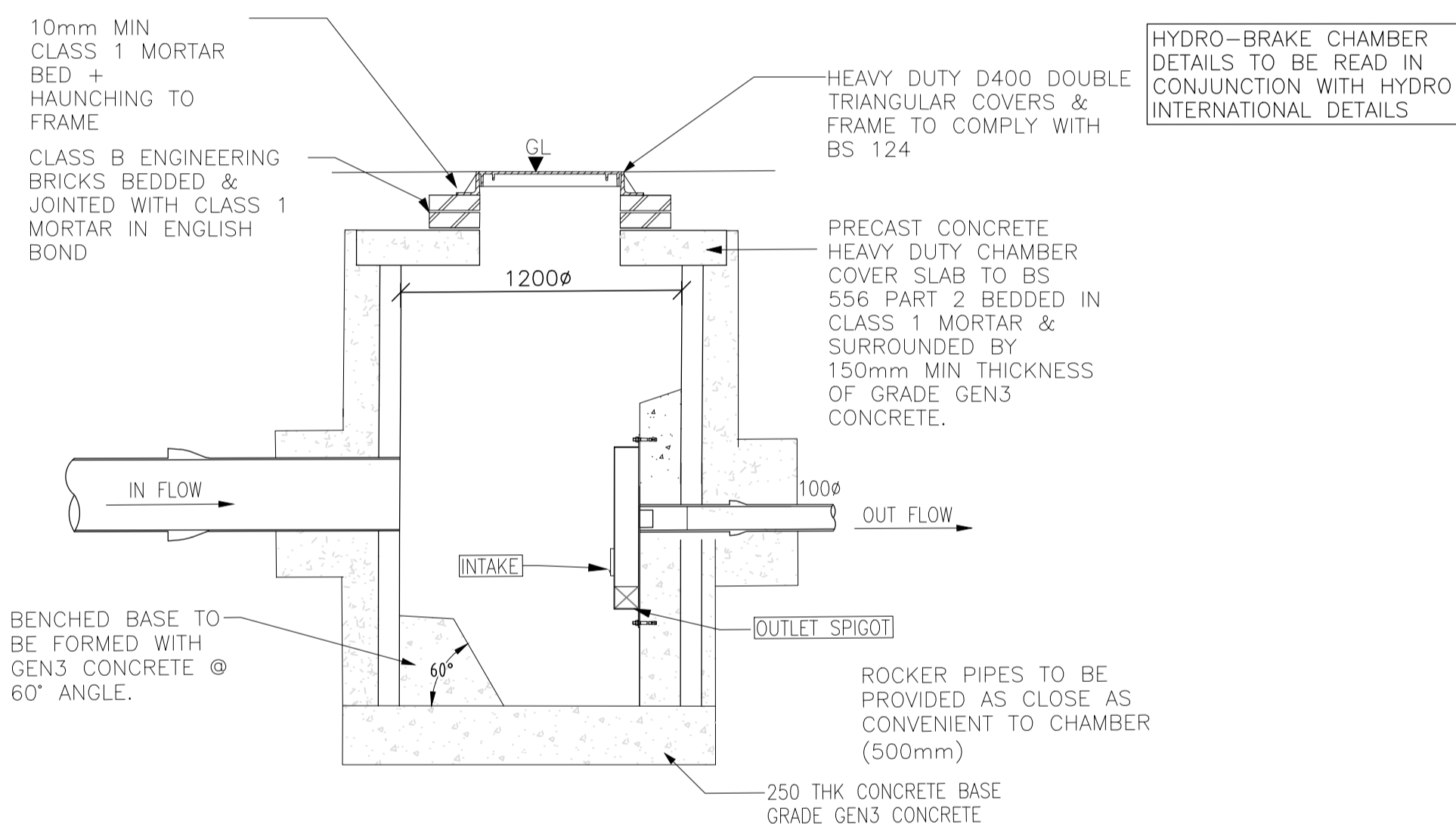


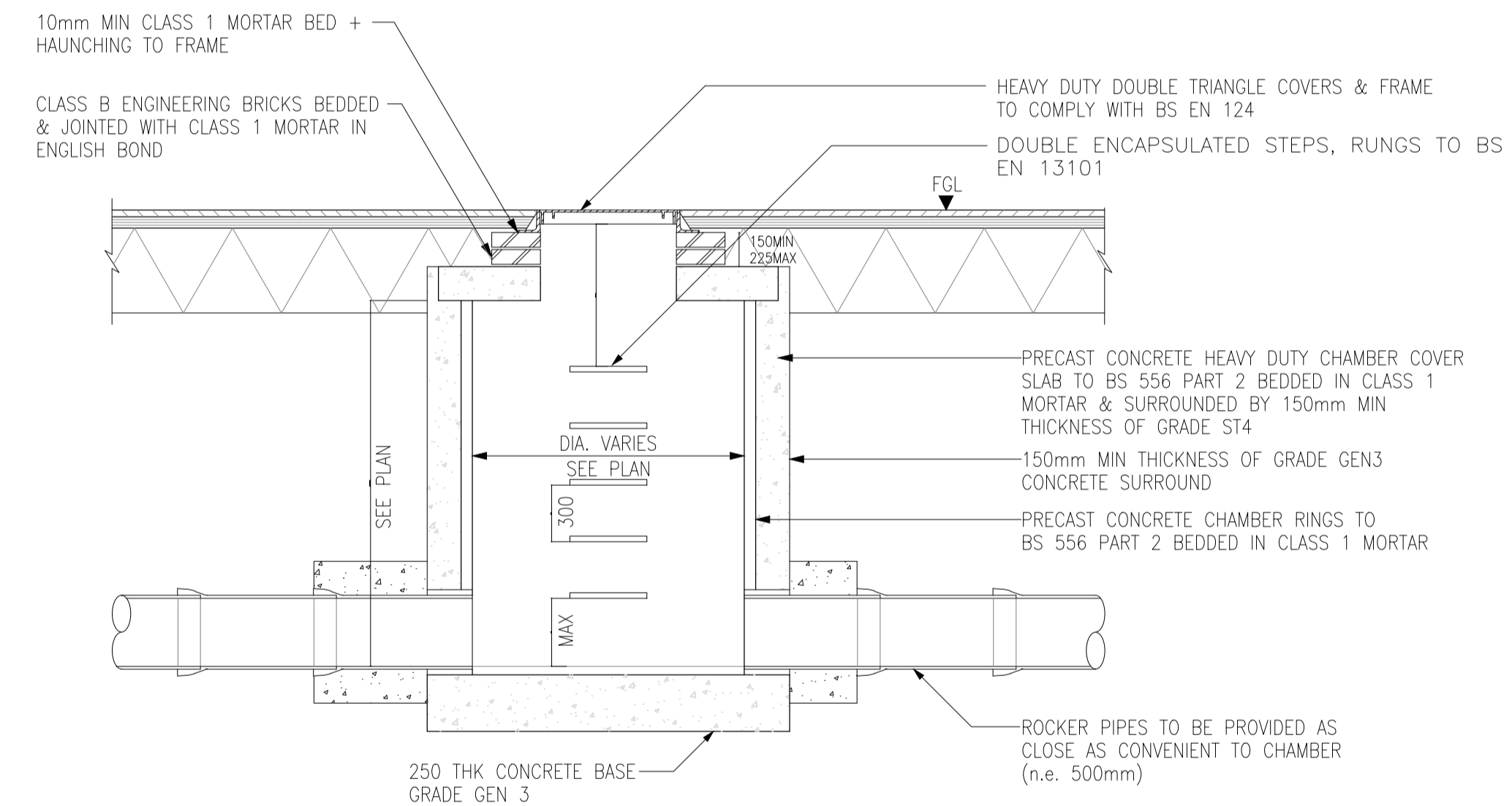
TYPICAL TANK VENT DETAIL
SCALE 1:10 @ A1



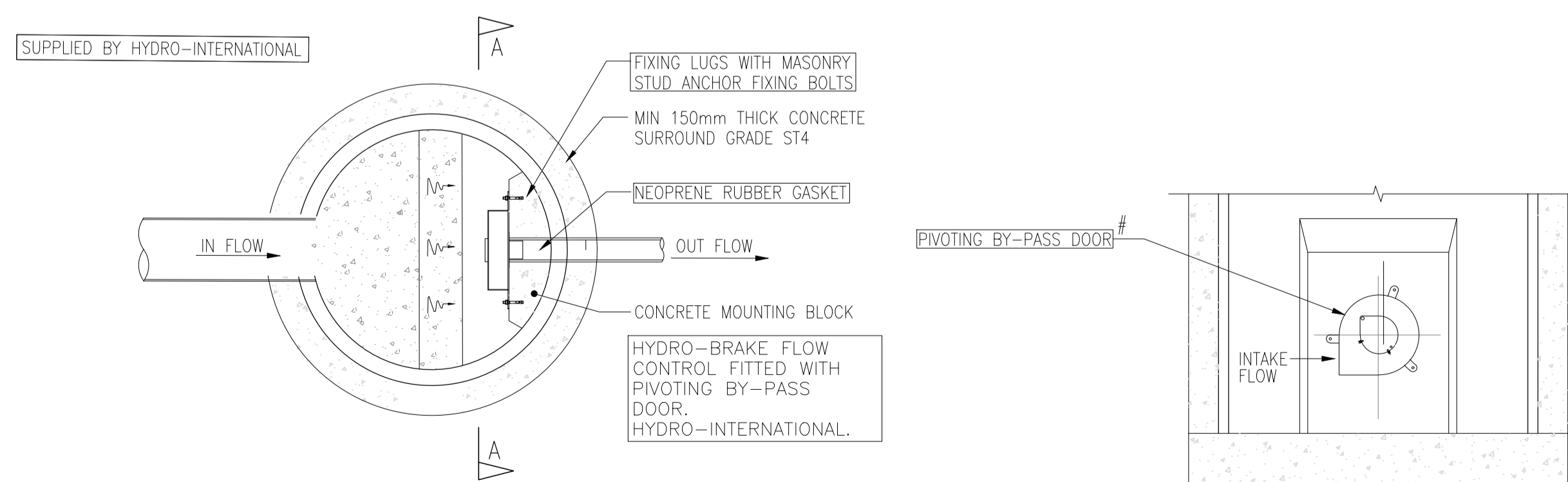
TYPICAL SECTION THROUGH SEPARATOR (SEPARATOR SHOWN INDICATIVE ONLY)
SCALE 1:25 @ A1



TYPICAL SECTION THROUGH HYDRO-BRAKE CHAMBER
SCALE 1:25

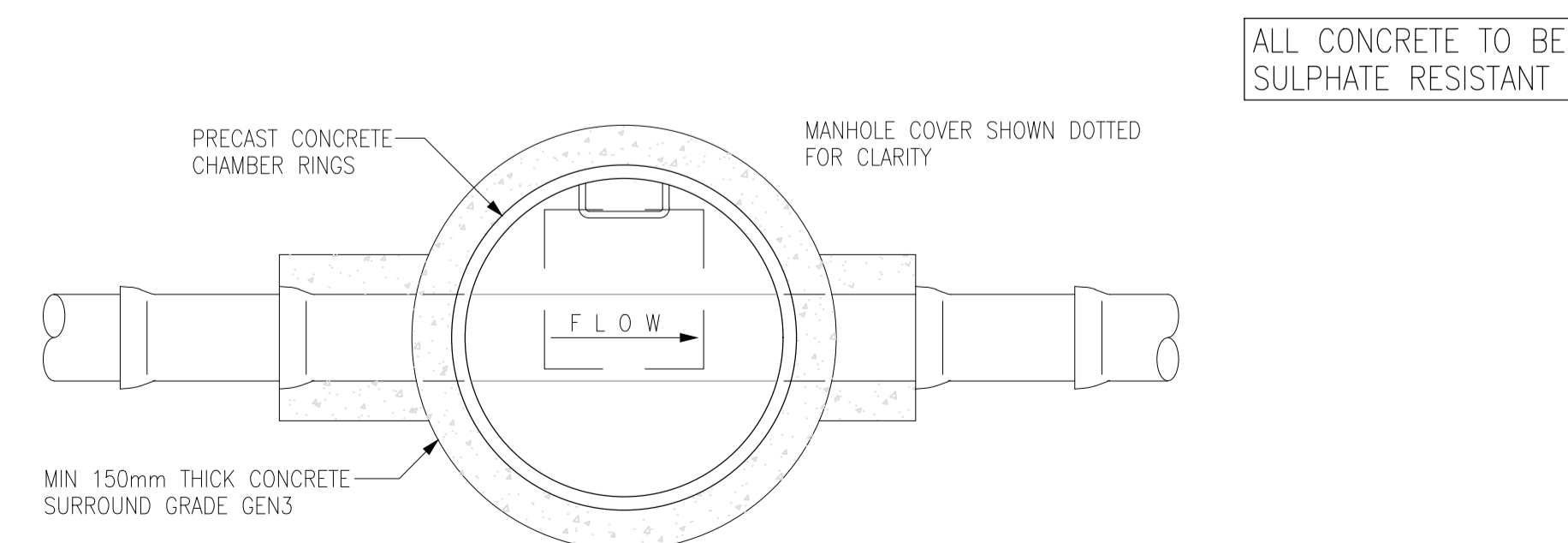


TYPICAL SECTION THROUGH EXTERNAL PCC MANHOLE CHAMBER
SCALE 1:25 @ A1



TYPICAL PLAN OF HYDRO-BRAKE CHAMBER
SCALE 1:25 @ A1

SECTION A - A
SCALE: 1:25



PLAN OF MANHOLE CHAMBER
SCALE 1:25 @ A1

- NOTES:
- All dimensions must be checked on site and not scaled from this drawing.
 - The Contractor shall make a survey of the site and shall be responsible for obtaining all dimensions and levels necessary for the proper fabrication of the structure as indicated.
 - All levels shown on this drawing are relative to Agreed Datum
 - This drawing is to be read in conjunction with 30047/100 Series Drawings.
 - All existing invert levels are to be confirmed by contractor prior to construction. Connection subject to approval.

Rev	Date	Description	DR	CH
A	15/02/24	ISSUED FOR APPROVAL		

© copyright

Constructionline

intertek

UKAS

Achilles

UVDB

SILVER PLUS

Audited

RISQS

GGP CONSULT

CONSULTING ENGINEERS
ARCHITECTS
PROJECT MANAGEMENT

2 Hallam Road
Priory Park East
HULL HU4 7DY
United Kingdom

Telephone(+44) 01482 627963
Fax (+44) 01482 641736
Email info@ggpconsult.co.uk

Client
H. Linford
J. Harris

Job Title
Land to rear of 132,
Scarborough Road
Bridlington,
East Yorkshire

Drawing Title
Typical Details 2 of 2

Status	APPROVAL
Scale	AS SHOWN @ A
Date	Feb' 2024
Drawn By	W. Brown
Checked	J.H.C
Approved	J.H.C

Dwg. No.	30047 / 107	Rev	A
----------	-------------	-----	---

NOT FOR CONSTRUCTION