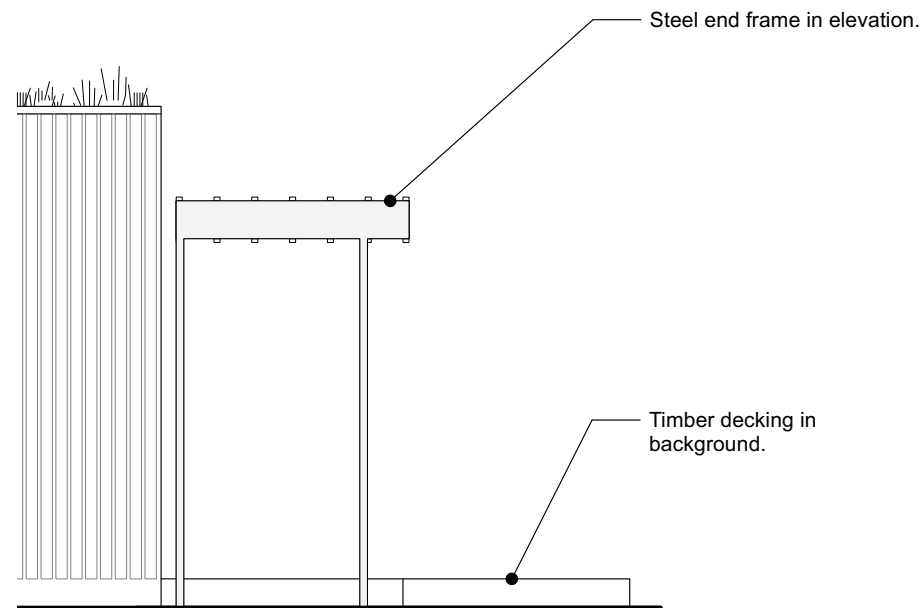
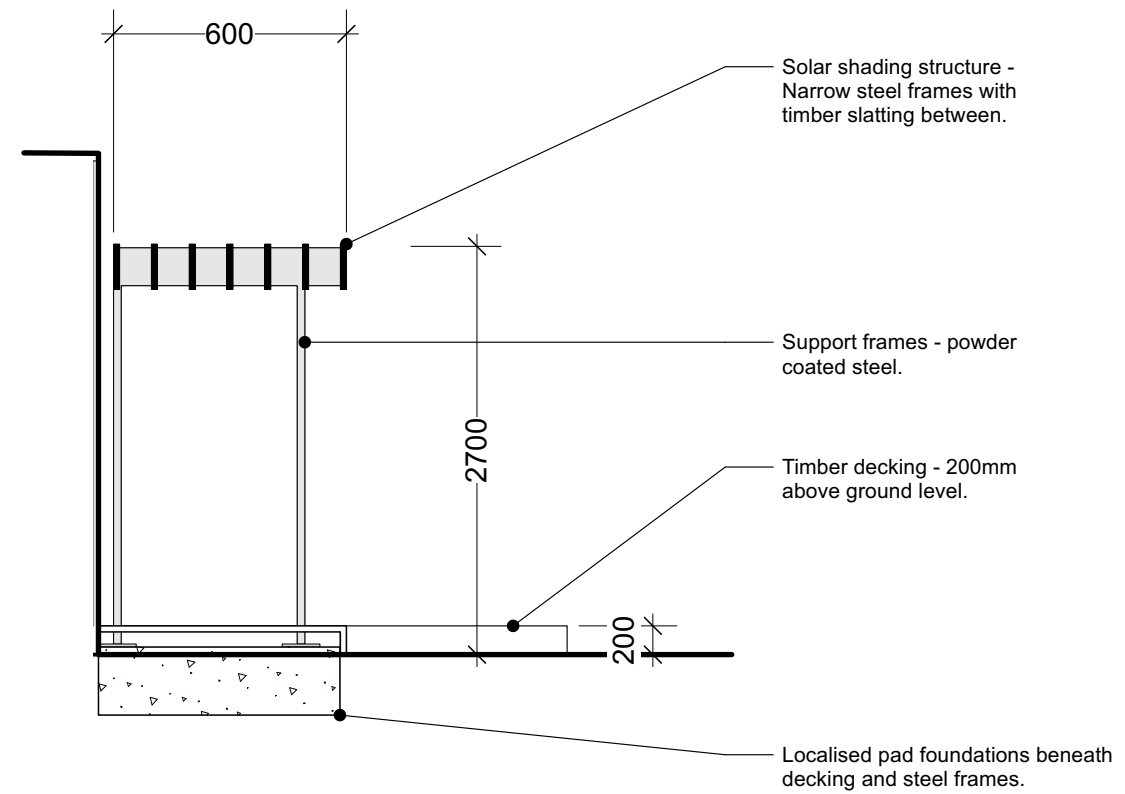


PROPOSED PLAN
SCALE 1:50 @ A3



PROPOSED END ELEVATION A
SCALE 1:50 @ A3



PROPOSED SECTION A
SCALE 1:50 @ A3

