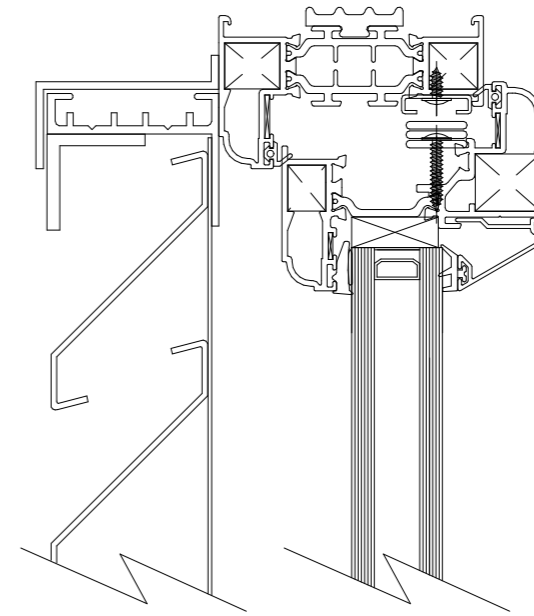


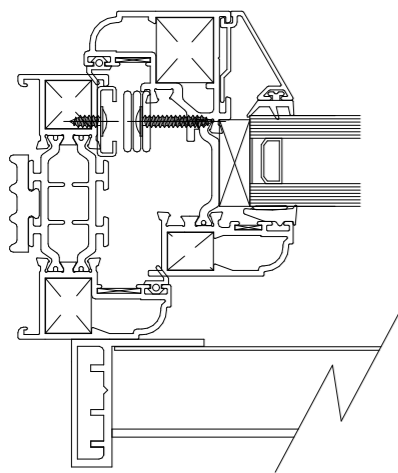
Fixed Louvre

GL General Louvre Detail  
- 1:20

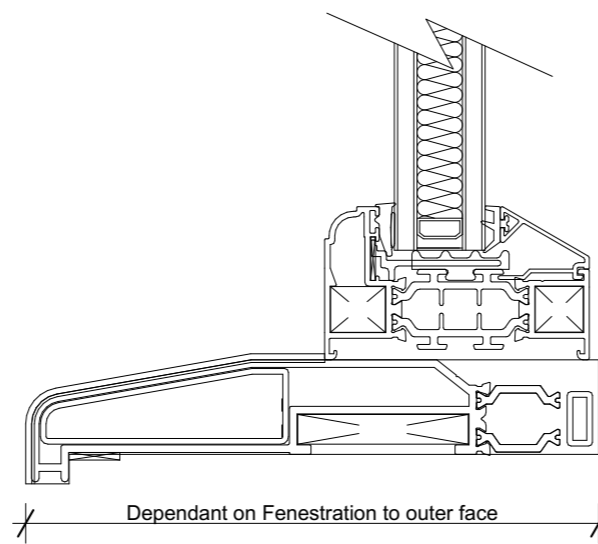
Smart - Alitherm 800 Frame  
(Aluminium System) with 'Outlook  
Architectural Products' -  
Aluminium Louvre insert)



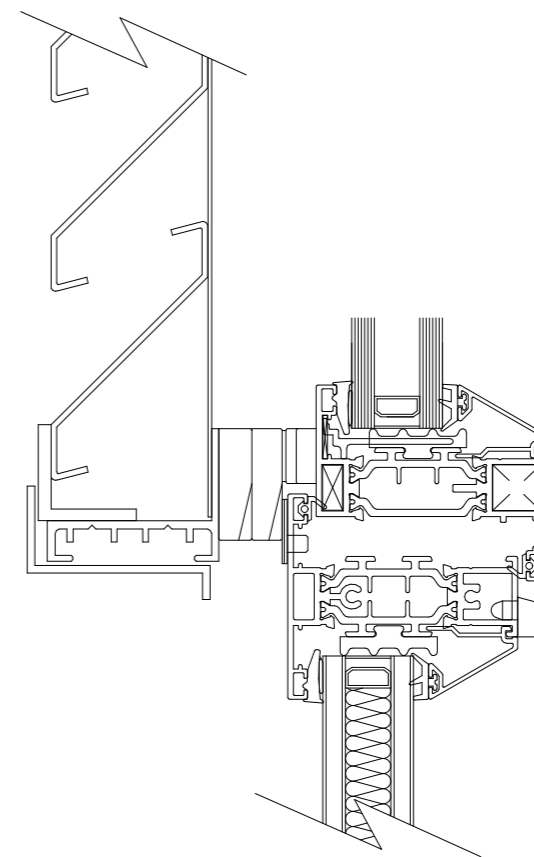
D02 Detail 02  
- 1:2



D01 Detail 01  
- 1:2



D04 Detail 04  
- 1:2



Detail 03 D03  
1:2 -

1. This drawing and content is copyright © of coombes : everitt architects limited and should not be copied without their prior written consent.
2. For construction purposes only, do not scale drawing. All dimensions to be checked on site prior to construction and any discrepancies reported to contract administrator.
3. Do not use this drawing for setting out unless drawing specifically indicates setting out points.
4. Engineering information is indicative only and should be taken from structural engineers design.

Rev	Initial	Description / Amendment	Date
-----	---------	-------------------------	------

Drawing title: Details Sheet 02 - Window Details

Project: 7 No. Proposed Dwellings at Former Ski Tyres, Chelt, Glos, GL50 3ND

Scale: 1:20 @ A3

Date: Feb 2023

Client: Cape Homes Limited

Drawn by: JG

Drawing No: 23.20.022.WD.201

coombes : everitt architects limited

105-107  
Bath Road  
Cheltenham  
Gloucestershire  
GL53 7LE

t: 01242 807727  
e: info@ce-architects.co.uk  
www.ce-architects.co.uk

RIBA  
Chartered Practice

