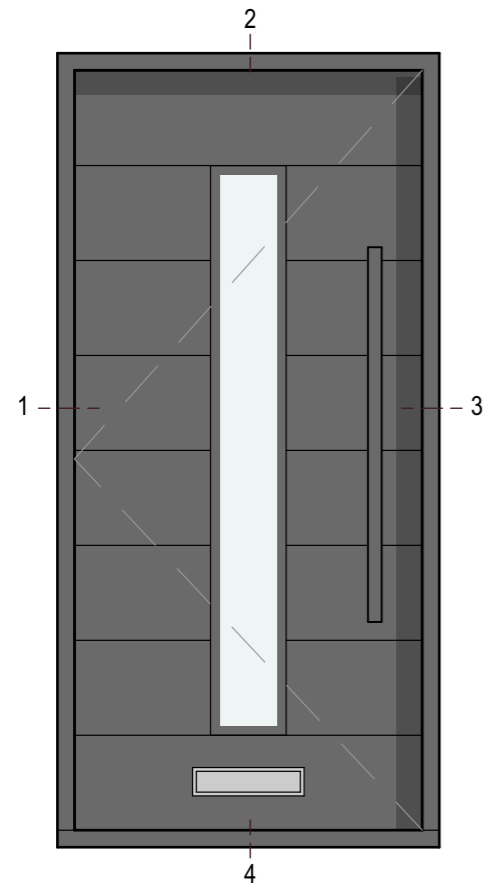
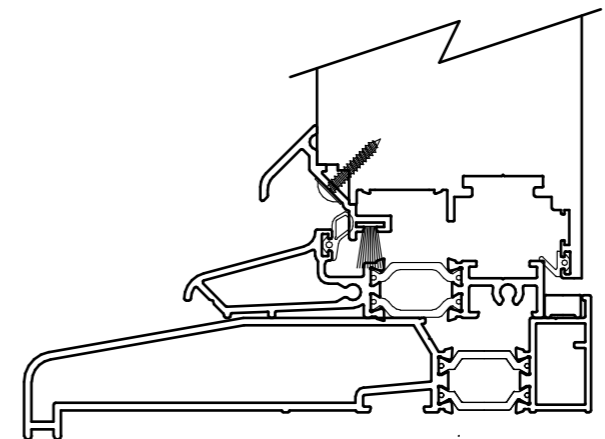
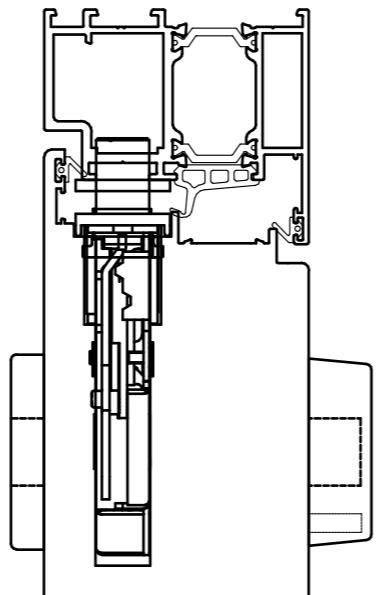
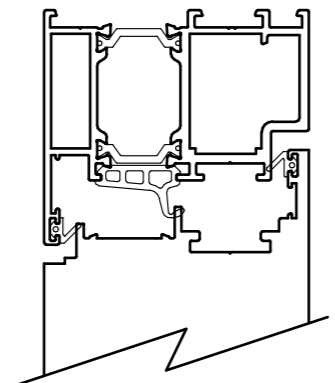
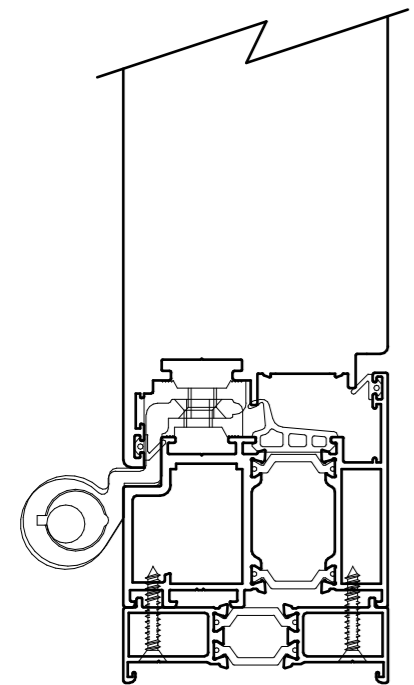


1. This drawing and content is copyright © of coombes : everitt architects limited and should not be copied without their prior written consent.
2. For construction purposes only, do not scale drawing. All dimensions to be checked on site prior to construction and any discrepancies reported to contract administrator.
3. Do not use this drawing for setting out unless drawing specifically indicates setting out points.
4. Engineering information is indicative only and should be taken from structural engineers design.



Smart - Designer Doors
(Aluminium System)

GD Generic Door Detail
- 1:20



D-01 Detail 01
- 1:2

D-02 Detail 02
- 1:2

D-03 Detail 03
- 1:2

D-04 Detail 04
- 1:2

Rev	Initial	Description / Amendment	Date

Drawing title: Details Sheet 04 - Door Details

Project: 7 No. Proposed Dwellings at Former Ski Tyres, Chelt, Glos, GL50 3ND

Scale: 1:2, 1:20 @ A3

Date: Feb 2023

Client: Cape Homes Limited

Drawn by: JG

Drawing No: 23.20.022.WD.203

coombes : everitt architects limited
 105-107
 Bath Road
 Cheltenham
 Gloucestershire
 GL53 7LE
 t: 01242 807727
 e: info@ce-architects.co.uk
 www.ce-architects.co.uk

