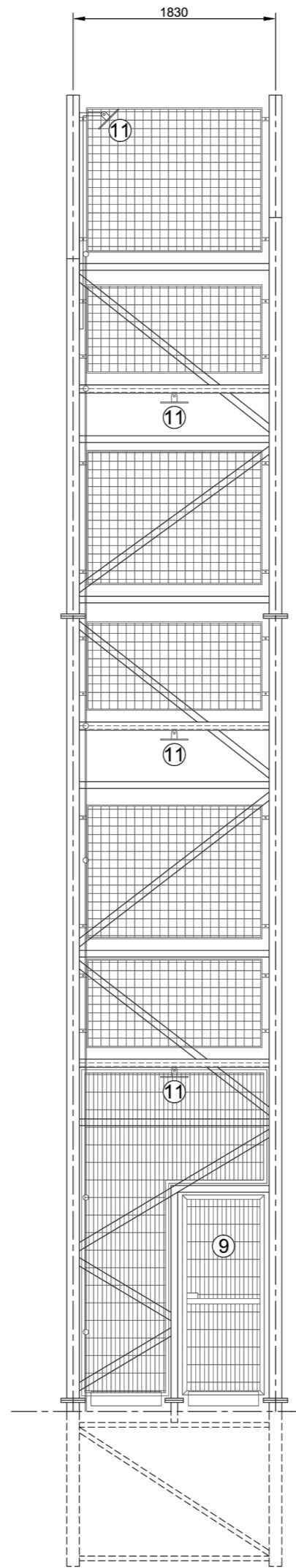
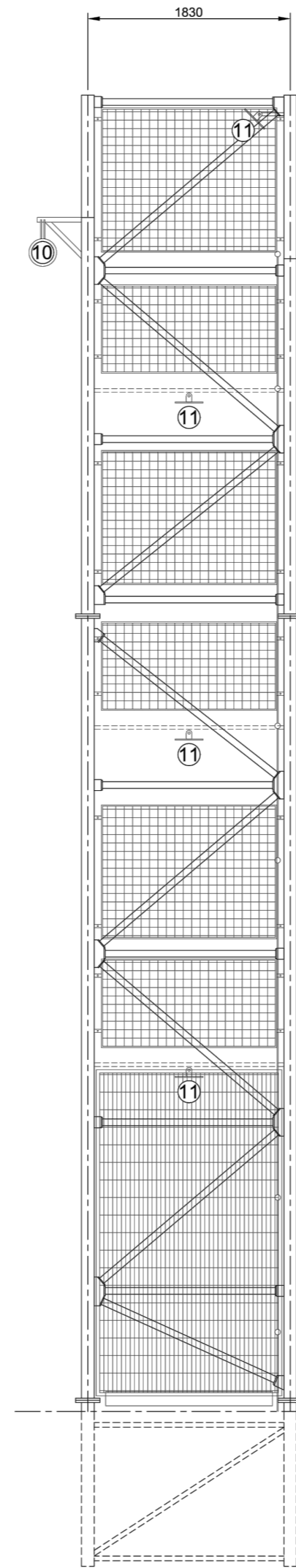


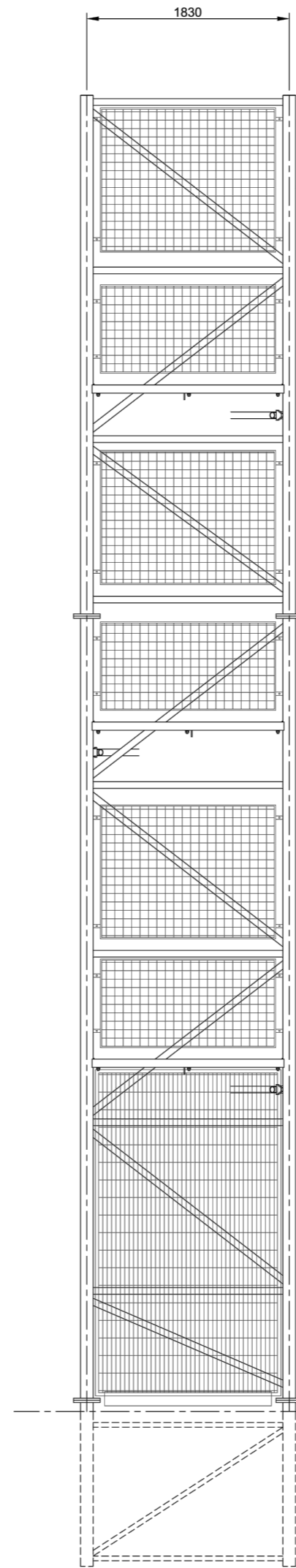
Front Drill Face  
(Scale = 1:33)



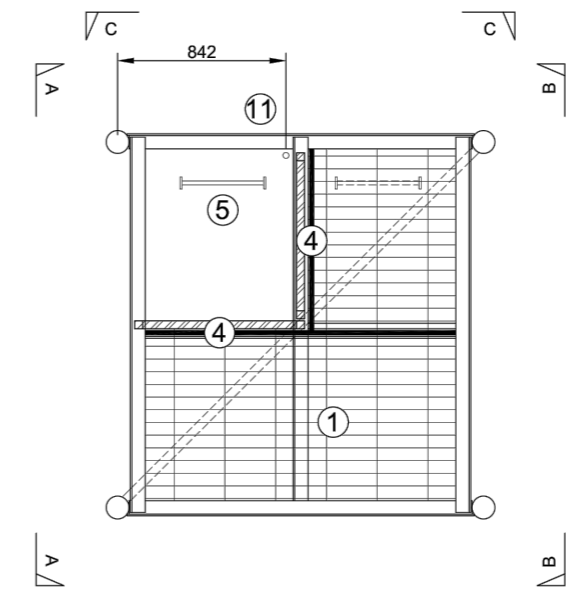
View on 'A-A'  
(Scale = 1:33)



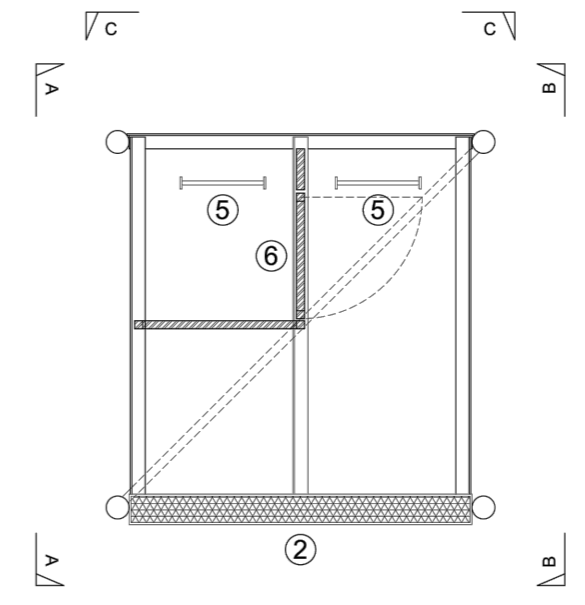
View on 'B-B'  
(Scale = 1:33)



View on 'C-C'  
(Scale = 1:33)



Typical Plan @ Floor Level  
(Scale = 1:25)



Typical Plan @ Cill Level  
(Scale = 1:25)



status		<b>PLANNING</b>	
<p>This drawing is ©Bradshaw Gass &amp; Hope LLP and is not to be copied, reproduced or re-distributed either in whole or in part without the prior written permission of the originator.</p> <p>The originator shall have no responsibility for any liability, loss, cost, damage or expense arising from or relating to any use of this document other than for its intended purpose on this project.</p> <p>This drawing shall be read in conjunction with all other relevant drawings, specifications and associated documentation. Any discrepancies, errors or omissions are to be reported to the originator before proceeding with work.</p> <p>All dimensions are to be checked on site by the contractor prior to proceeding with any work.</p>			
Hazard Identification			
ref	hazard	date	
<p><b>STANDARD FEATURES</b></p> <ul style="list-style-type: none"> <li>① GALVANISED OPEN MESH FLOORING.</li> <li>② ANTI-SLIP SURFACE TO DRILL FACE CILLS.</li> <li>③ GALVANISED REMOVABLE GUARD RAIL AT 1100mm ABOVE FLOOR LEVEL WITH STAINLESS STEEL RETAINING CHAINS TO ALL FLOORS.</li> <li>④ FLOORS AND OPENINGS DEMARKED WITH YELLOW VISUAL STRIPS.</li> <li>⑤ GALVANISED INTERNAL LADDERS WITH SAFETY HOOP TO ALL FLOORS.</li> <li>⑥ GALVANISED LADDER WELL BARRIERS AND SELF-CLOSING GATE TO ALL FLOORS.</li> <li>⑦ GALVANISED DURBAR PLATE.</li> <li>⑧ 2NO. GRAB HANDLES TO FRONT FACE AT EACH FLOOR LEVEL.</li> </ul> <p><b>OPTIONAL EXTRAS</b></p> <ul style="list-style-type: none"> <li>⑨ ANTI-VANDAL MESH PANELS &amp; LOCKABLE ACCESS GATE.</li> <li>⑩ PULLEY FOR HANDLING DUMMIES ALOFT, WITH ROPE TIE-OFF CLEAT AT GROUND LEVEL.</li> <li>⑪ LIGHT BRACKETS &amp; CONDUIT (ELECTRICAL WORKS "BY OTHERS"): <ul style="list-style-type: none"> <li>A.) 1NO. UNDER FLOOR LIGHT PLATE PER LEVEL.</li> <li>B.) LIGHT MAST &amp; LIGHT PLATE TO REAR FRAME AT TOP FLOOR LEVEL.</li> </ul> </li> <li>⑫ 2NO. FLOOD LIGHT PLATES LOCATION TO BE CONFIRMED.</li> </ul> <p style="text-align: right;">DRILL TOWER REFERENCE: - FT66 - 3.</p>			
P1	PLANNING ISSUE	PAB	26.01.24
ref	revision	by	date
		21 Silverwell Street Bolton BL1 1PR t: 01204 525321 email@bghbolton.co.uk www.bghbolton.co.uk	
<b>Bradshaw Gass &amp; Hope LLP</b>			
client			
<b>LANCASHIRE FIRE &amp; RESCUE SERVICE</b>			
project			
<b>NEW ALERTER MASTS &amp; TRAINING TOWERS</b>			
drawing			
<b>HASLINGDEN FIRE STATION TRAINING TOWER PROPOSED PLANS &amp; ELEVATIONS</b>			
drawn by	ST	date	MAY 22
checked by	PAB	date	DEC 23
scale	1:50		A2
dwg no	<b>2195.10.4302</b>		rev <b>P1</b>