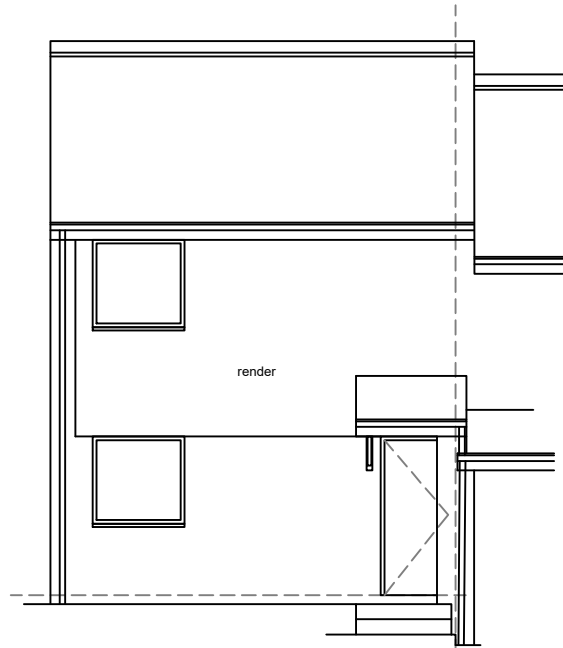
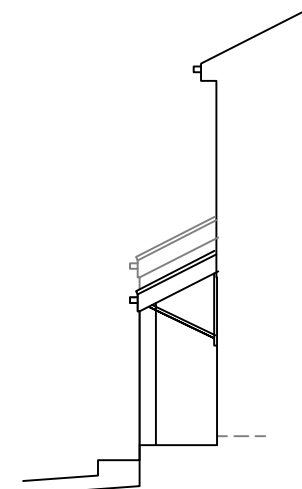


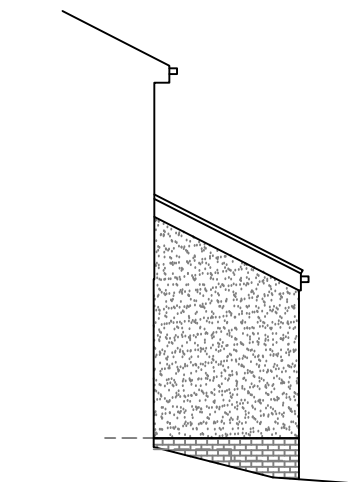
existing side elevation



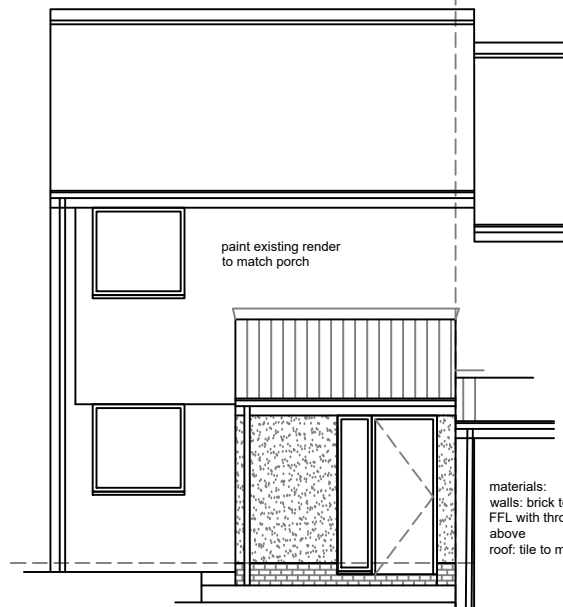
existing front elevation



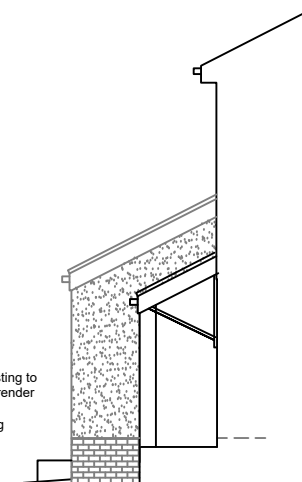
existing side elevation



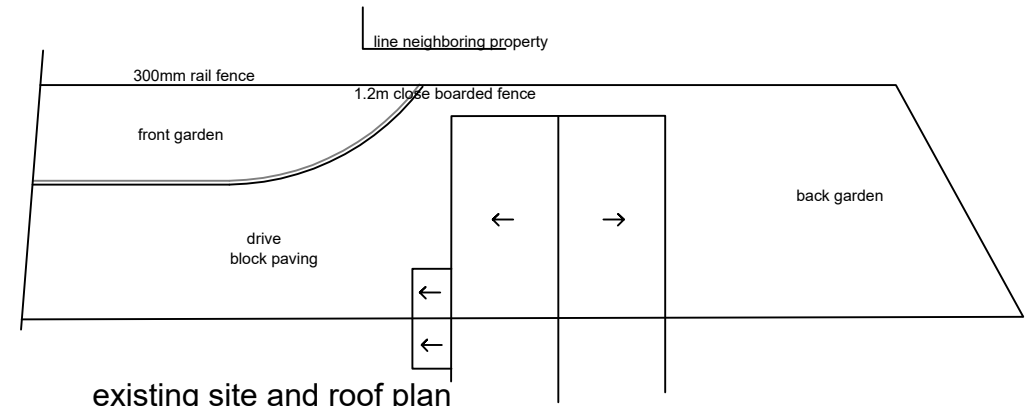
proposed side elevation



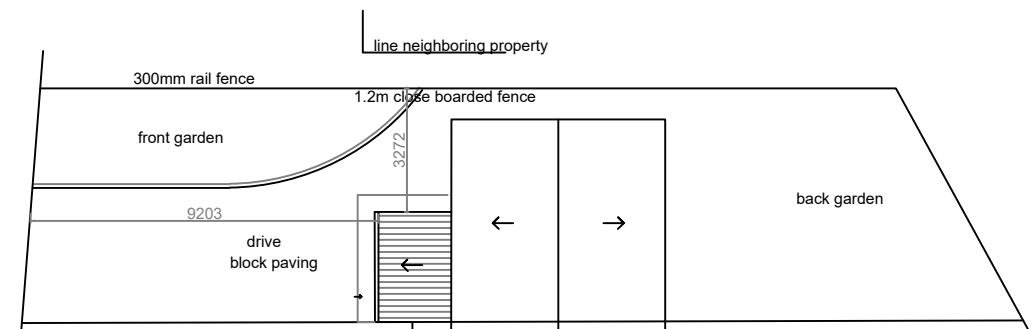
proposed front elevation



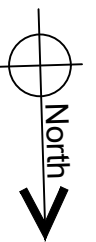
proposed side elevation



existing site and roof plan
scale 1:200



proposed site and roof plan
scale 1:200



cummings
Architects Limited

17 Killingworth Drive • Sunderland • SR4 8GQ • Tel: 07985442755
e-mail: info@cummingsarchitects.co.uk

26 Canonsfield Close, SR3 2SQ

existing and proposed elevations

DATE	SCALE	JOB NO	DISCIPLINE	REV
17.02.24	100@ A3	24019	02	*

This drawing and design is the property of Cummings Architects Limited. Cummings Architects Limited, accepts no liability to third parties arising out of the unlawful reproduction or use of this drawing. Dimensions to be confirmed on site before work commences & ordering of materials. Any discrepancies must be reported to Architects before any work is undertaken. This drawing is to be read in conjunction with relevant consultants information and specifications.