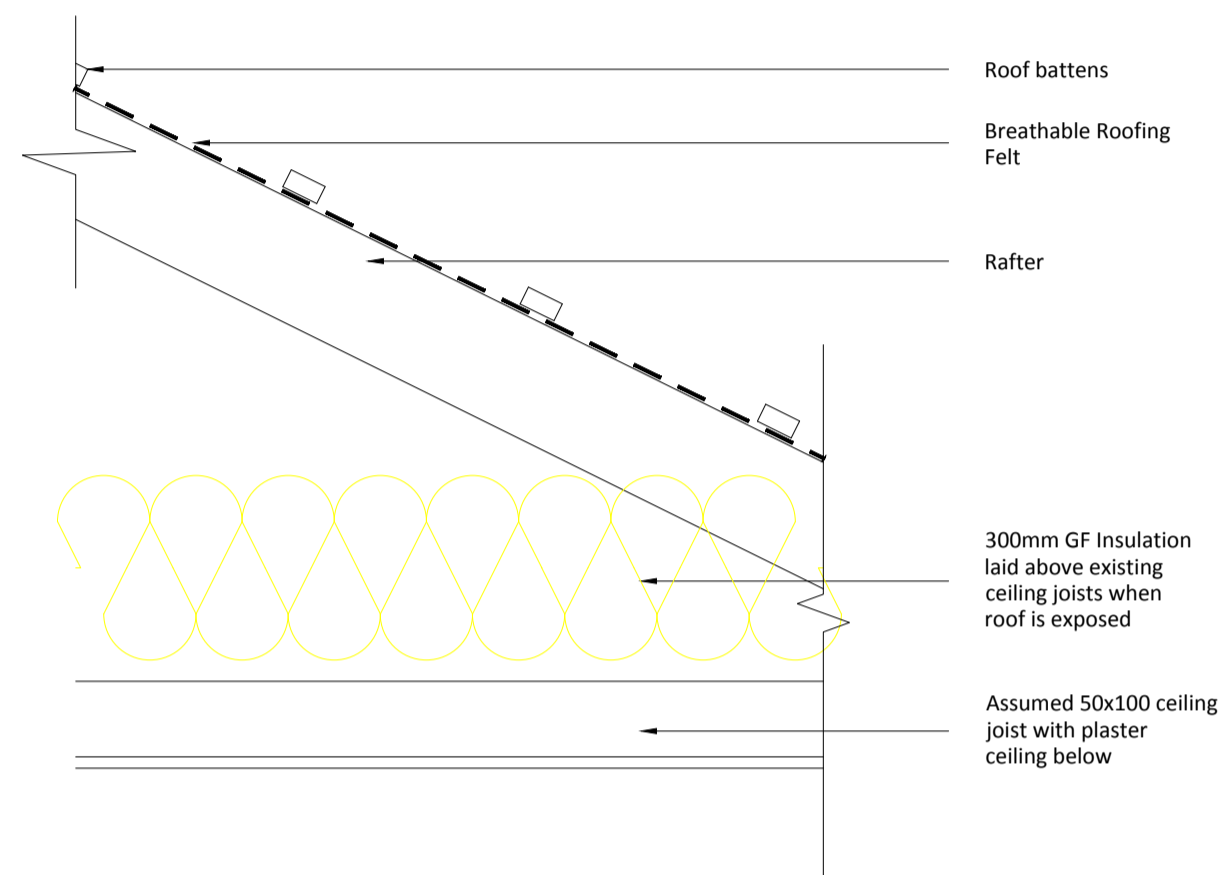
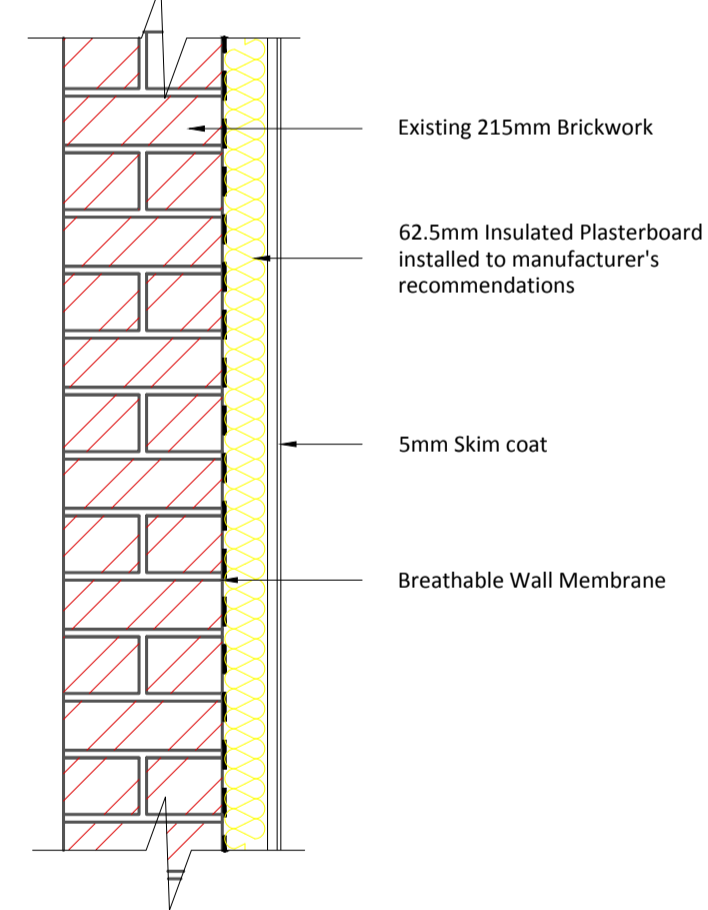


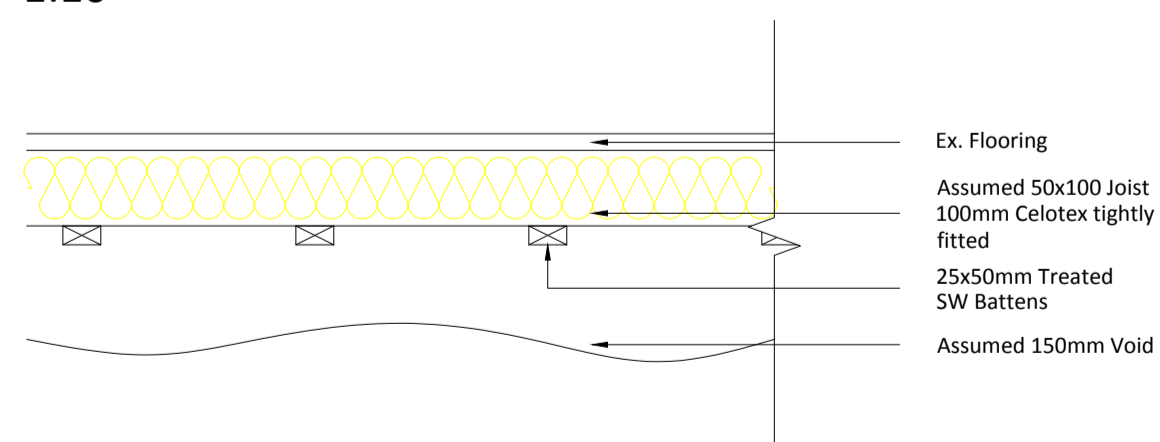
Detail
Typical Pitched Roof Section with new Roof Insulation
1:10



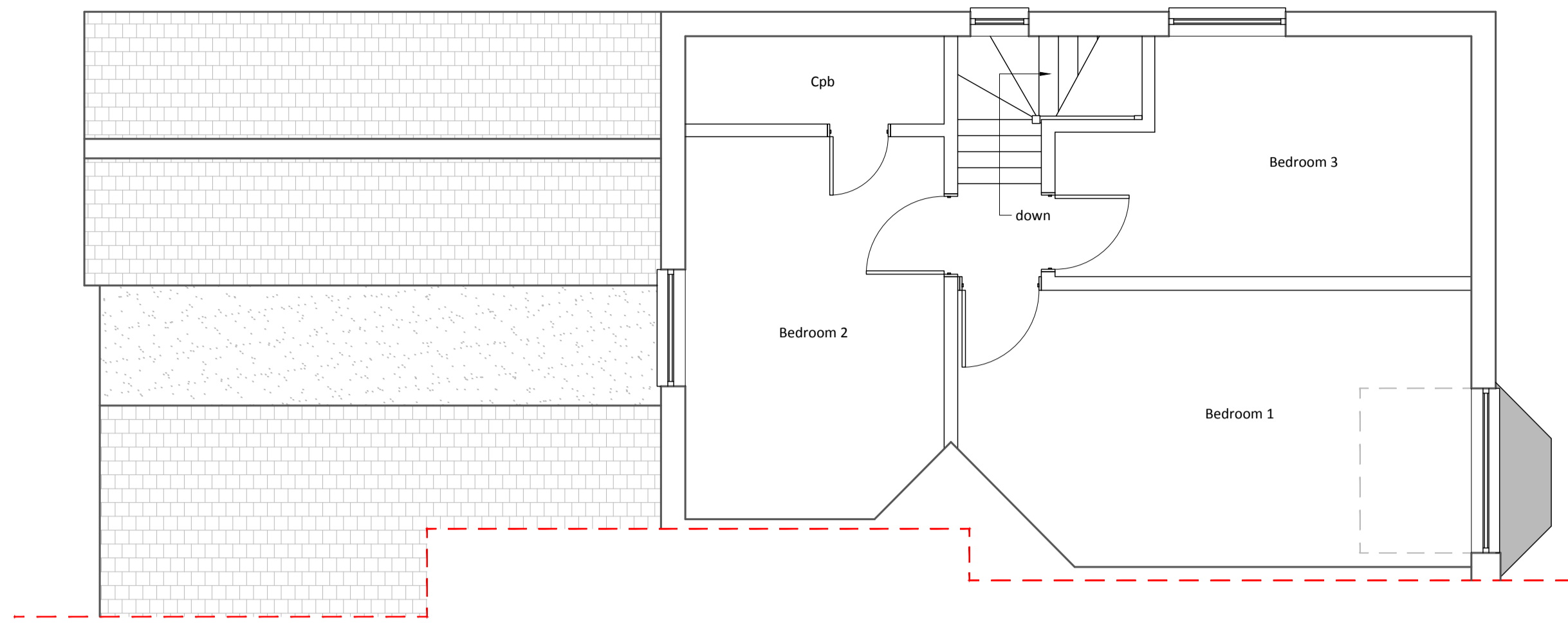
Detail
Typical Pitched Roof Section with new Roof Insulation
Laid at Ceiling Level
1:10



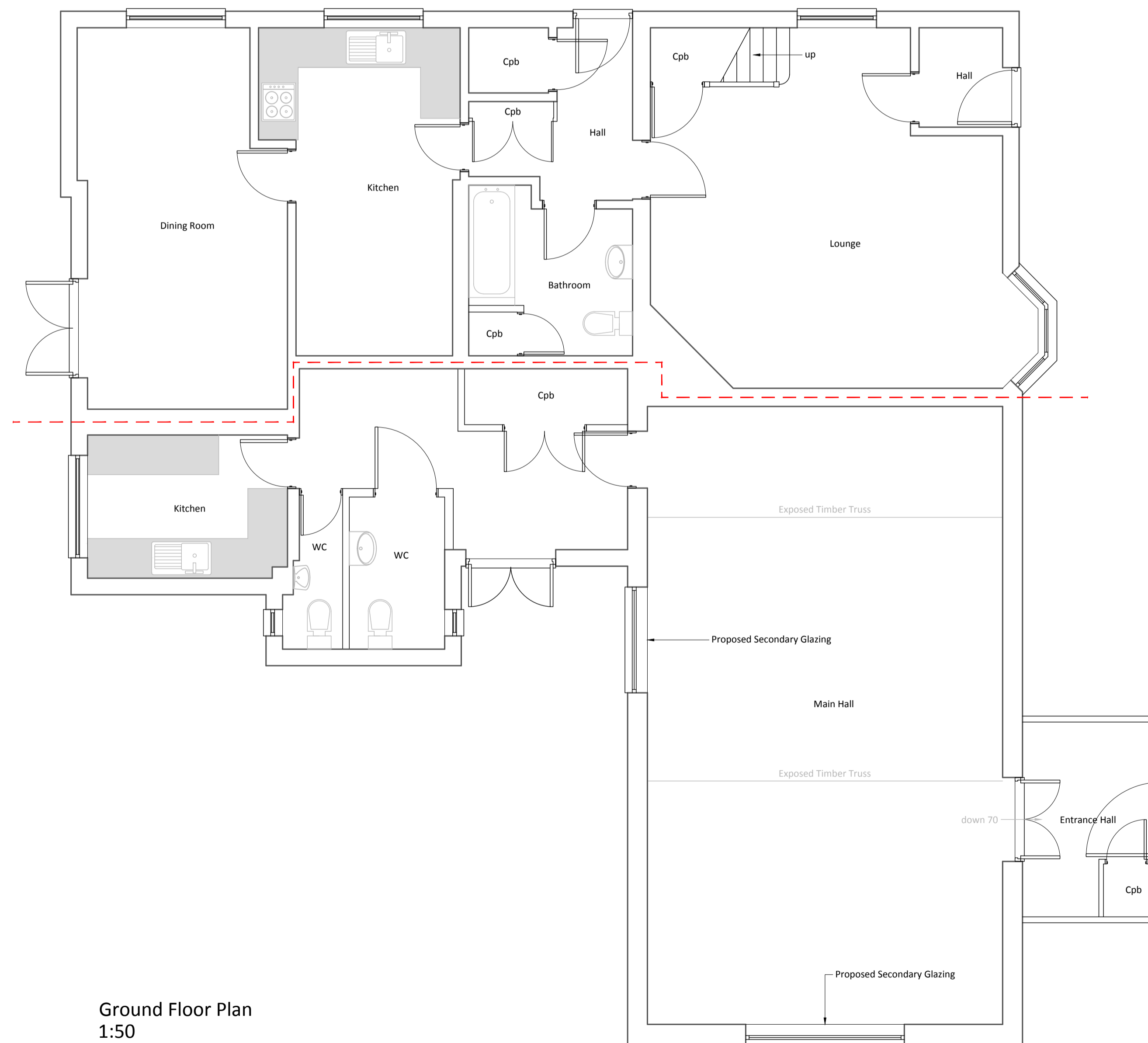
Detail
215mm Exterior Wall Upgrade
1:10



Detail
Typical Timber Floor Upgrade
1:10



First Floor Plan
1:50



Ground Floor Plan
1:50

Notes:

All dimensions and details should be checked on site prior to commencement of work by the Client or Contractor. Seven Nine Design Services retain copyright of design, scheme and ownership of the drawings. Drawings should be read in conjunction with structural engineer's drawings and information. All works are to comply with current regulations, British & European Standards. Before works commence it is the responsibility of the home owner to serve party wall notices to all neighbours, where applicable. All drawings are to be read in conjunction with Structural Engineer's Notes & Calculations. Structural Engineer's Notes, Calculations and Drawings override Seven Nine Design Services. When printing PDF's it is the responsibility of the user to verify that the resulting prints are to the correct scale on the correct sized sheet and that scale bars measure correctly.



'The Drawing Room'
3 Orchard Drive,
Standon, Ware,
Herts,
SG11 1XD.
07958 391 734
ds@79ds.co.uk
www.79ds.co.uk

Client	
Site Address	Westmill Village Hall, Westmill, Buntingford, Herts, SG9 9LG
Project Description	Energy Improvements
Drawing Title	Floor Plans & Insulation Suggestions
Drawn	D.S.
Sheet Size	A1
Scale	1:50
Drawing Number	220407.01 B
Date	December 2023

