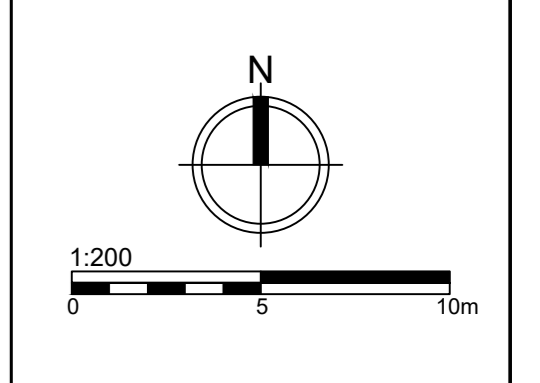


General Notes
 Do not scale off drawing - refer to the tree data schedule for accurate crown spread measurements.
 Directions of tree canopies are based on measurements taken to four cardinal compass points.
 No liability of any kind is accepted for any omissions or inaccuracies in respect of this plan.
 The original of this drawing was produced in colour; a monochrome copy should not be relied upon.
 All rights reserved.



- Key**
- Tree: Showing canopy extent, category colour and tag number (with category) with optional P88 question arrow.
 - Category A: Trees of high quality with an estimated remaining life expectancy of at least 40 years.
 - Category B: Trees of moderate quality with an estimated remaining life expectancy of at least 20 years.
 - Category C: Trees of low quality with an estimated remaining life expectancy of at least 10 years, or young trees with a stem diameter below 150 mm.
 - Category U: Trees in such a condition that they can not realistically be retained as living trees in the context of the current land use for longer than 10 years.
 - Tree Group: Shown as dashed contour boundary line. Colour represents category (see above).
 - BS 5837:2012 Root Protection Area



Project Title: **Tree Constraints Plan**
 Client: City of York Council
 Location: Bellfarm Avenue, York.
 Drawing No: 1.200 - AG
 Date: 14/08/2023
 Drawing No: 1868.1
 Scale: 1 CS DB
QUANTS
 environmental
 Quants Environmental Limited
 45 Kettlewell Road, North Yorkshire YO1 1AA
 Office: 01753 600799
 Email: info@quantsenvironmental.com
 Web: www.quantsenvironmental.com