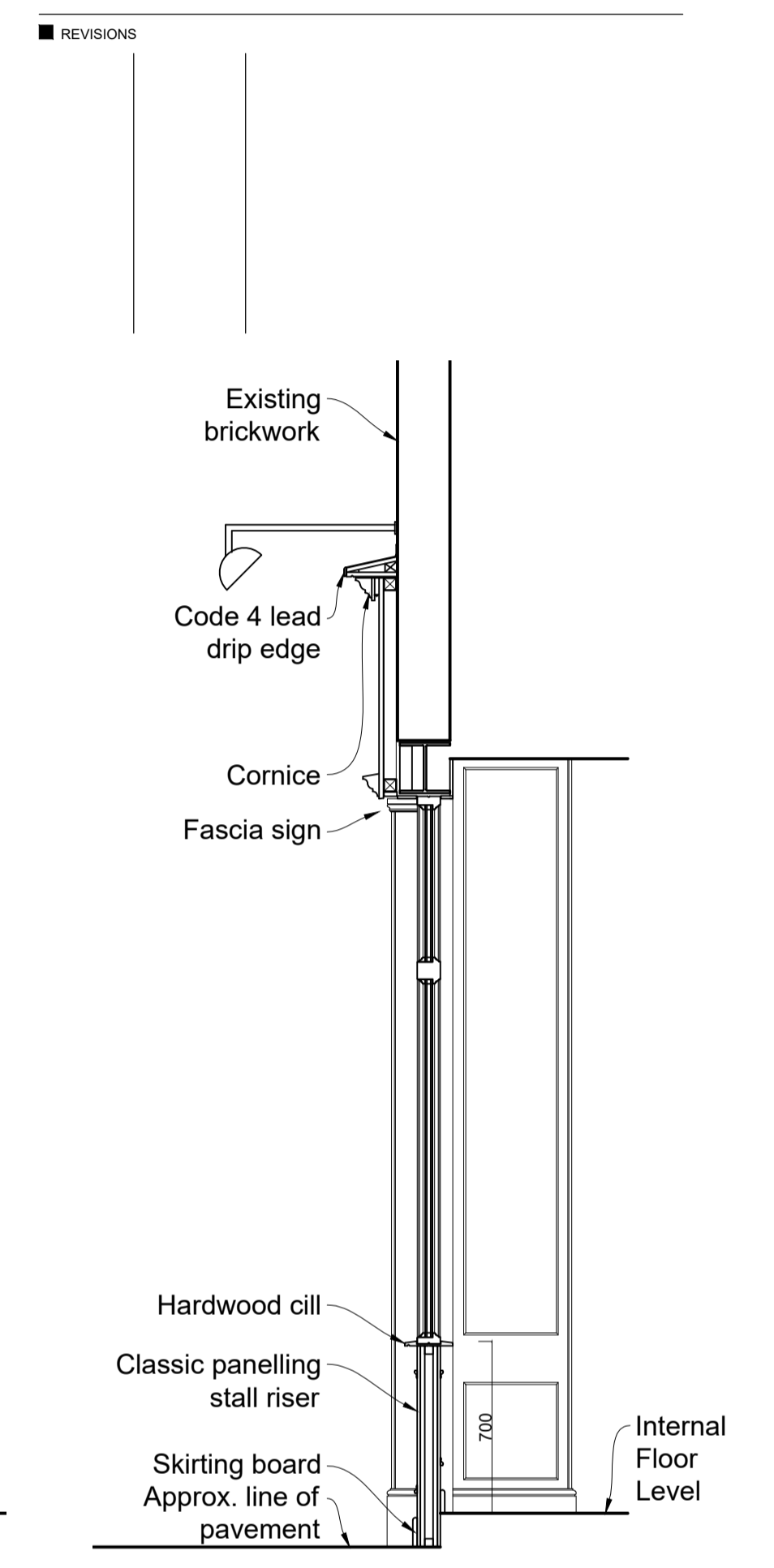


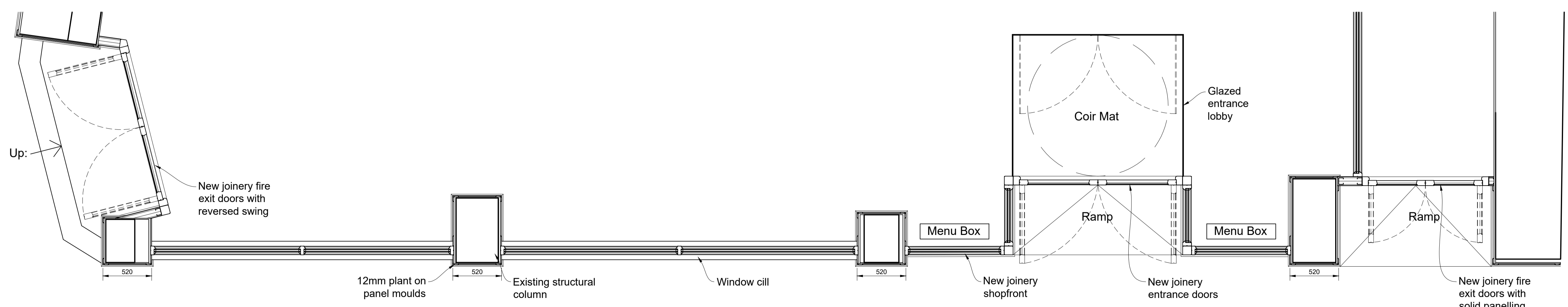
NOTE
 Please note this drawing is not from a measured survey. Contractor to check dimensions prior to works.
 This drawing must not be scaled. All dimensions and levels must be checked on site and any discrepancies reported to the Architect prior to manufacture.
 This drawing is the copyright of PNW Studios. It can be used only by this client and on this project as shown in the title block below.



NEW SHOPFRONT ELEVATION



SHOPFRONT SECTION AA



NEW SHOPFRONT PLAN

(AS PROPOSED)

PROJECT
 Giggling Squid
 18 Lendal
 York
 YO18AU

DRAWING TITLE
 New Shopfront Details
 As Proposed

SCALE
 1:25@A1
 1:50@A3

DATE
 11.01.24

DRAWING NUMBER
 1897/06