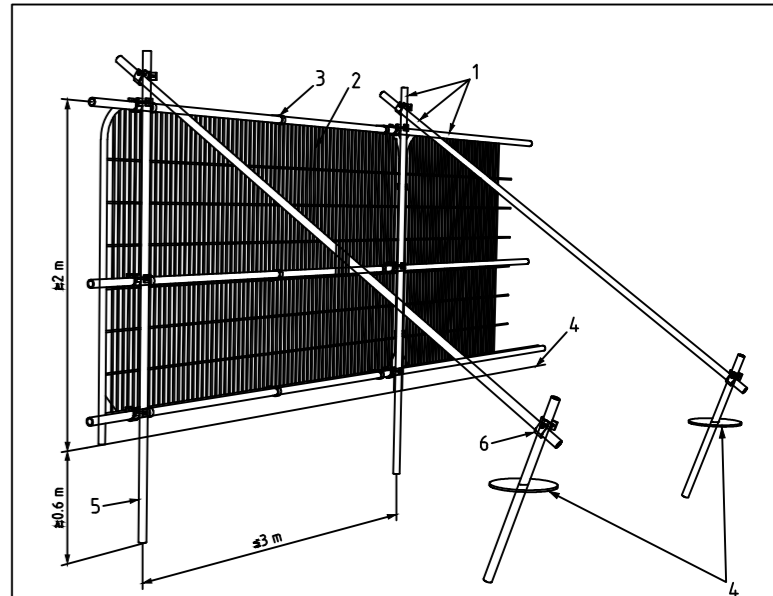


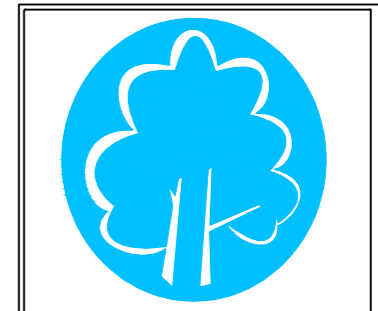
Tree crown is over hanging the protective barrier. However it is at 8 metres height which will provide adequate space below for construction activities, with a low likelihood of damage occurring.

Minor incursion of the access road into the root protection area of G1 and G4. Excavations are to be carried out under supervision of the project arboriculturist, and following the guidance set out in National Joint Utilities Group (NJUG) Guidance for the Planning, Installation and Maintenance of Utility Apparatus in Proximity to Trees - Issue 2.

Existing boundary fence to act as protective barrier to G4.



- Key
- 1 Standard scaffold poles
  - 2 Heavy gauge 2 m tall galvanized tube and welded mesh infill panels
  - 3 Panels secured to uprights and cross-members with wire ties
  - 4 Ground level
  - 5 Uprights driven into the ground until secure (minimum depth 0.6 m)
  - 6 Standard scaffold clamps



**PROTECTIVE FENCING. THIS FENCING MUST BE MAINTAINED IN ACCORDANCE WITH THE APPROVED PLANS AND DRAWINGS FOR THIS DEVELOPMENT.**



**TREE PROTECTION AREA KEEP OUT!**  
(TOWN & COUNTRY PLANNING ACT 1990)  
 TREES ENCLOSED BY THIS FENCE ARE PROTECTED BY PLANNING CONDITIONS AND/OR ARE THE SUBJECTS OF A TREE PRESERVATION ORDER. CONTRAVENTION OF A TREE PRESERVATION ORDER MAY LEAD TO CRIMINAL PROSECUTION.  
 ANY INCURSION INTO THE PROTECTED AREA MUST BE WITH THE WRITTEN PERMISSION OF THE LOCAL PLANNING AUTHORITY.



Site: 'Nostra Domus', Lyme Road, Uplyme DT7 3XA.

1:250 @ A2

Drawing Title: Tree Protection Plan (East elevation)

February 2024

Key:

- Category A
  - Category B
  - Category C
  - Category U
  - Protective Barrier (see above diagram for minimum specifications).
  - ▨ Area designated for small woodland planting.
  - ▨ Area designated for storing building materials.
  - ▨ Location of proposed driveway.
  - Location of the property boundaries.
  - ⊕ Planting location of the replacement trees.
  - Trees to be removed.
- Category

Root Protection Area

Crown Spread

Tree Number

All measurements must be checked on site. No responsibility can be accepted for inaccurate dimensions. The original of this drawing was produced in colour, a monochrome copy must not be relied upon.

