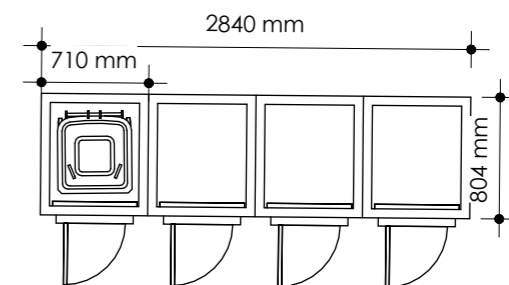
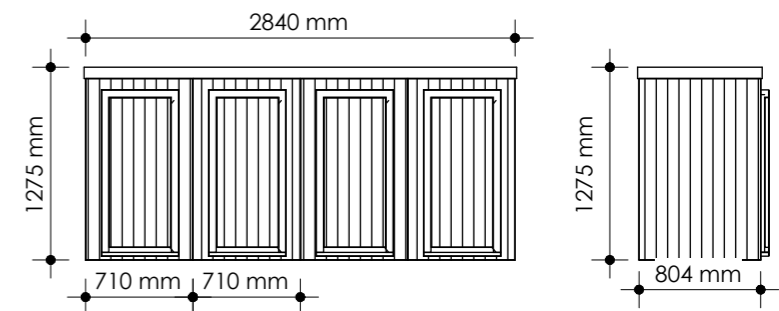
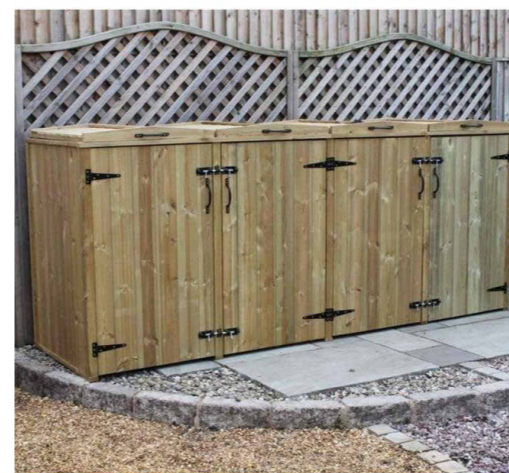
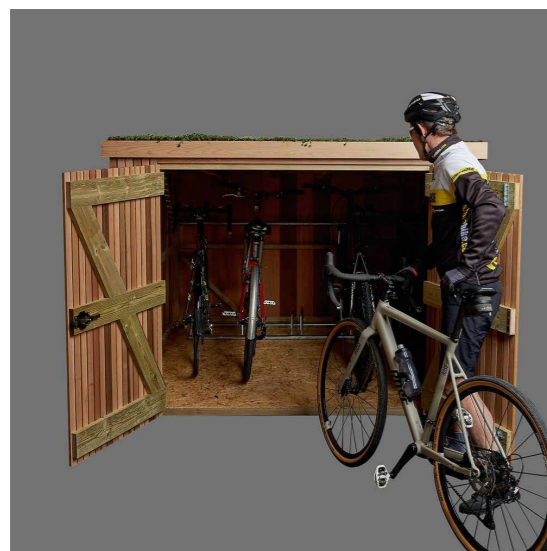
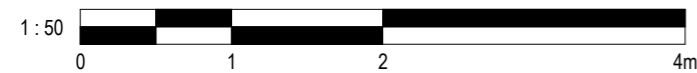


Proposed Bike Store (14 Bikes)



DESCRIPTION		GENERAL NOTES: THIS DRAWING IS FOR PLANNING USE ONLY DO NOT USE THIS DRAWING FOR ANY PURPOSE OTHER THAN FOR WHICH IT WAS ISSUED. STRUCTURAL DESIGN AND BUILDING CONTROL APPROVAL IS REQUIRED BEFORE CONSTRUCTION COMMENCES. THIS DRAWING IS SUBJECT TO COPYRIGHT DO NOT REPRODUCE THIS DRAWING WITHOUT PRIOR PERMISSION.	DETAIL		CLIENT		
PLANNING			44 Arlington Drive, Headington, Oxford, OX3 0SJ		OX Living		
STATUS			SHEET		Date	Project number	Scale (@ A3)
P		Proposed 8 Bike & Bin Storage		06/02/2024	OXL-12	1 : 50	
				Drawn by	DRAWING NUMBER		
				OF	OXL-24-12-06		
				Checked by	REV		
				OF			