

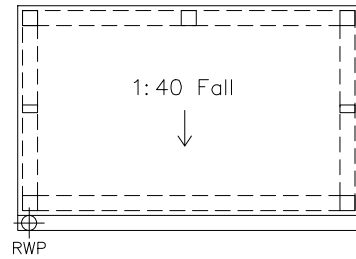
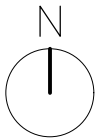
26 Copthorne Avenue, Bromley

Design copyright is vested in the Company below from whom consent must be obtained for copying or reproducing this drawing.

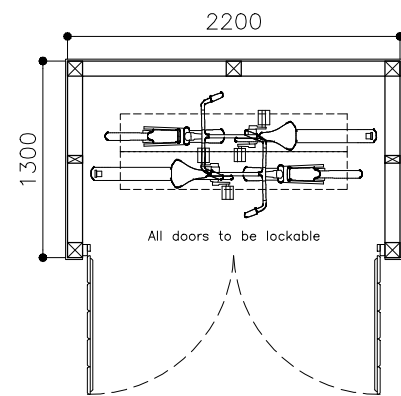


SCALE 1:50

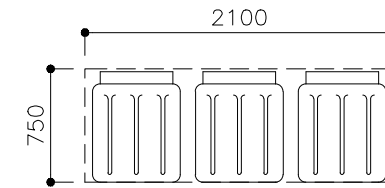
Planning



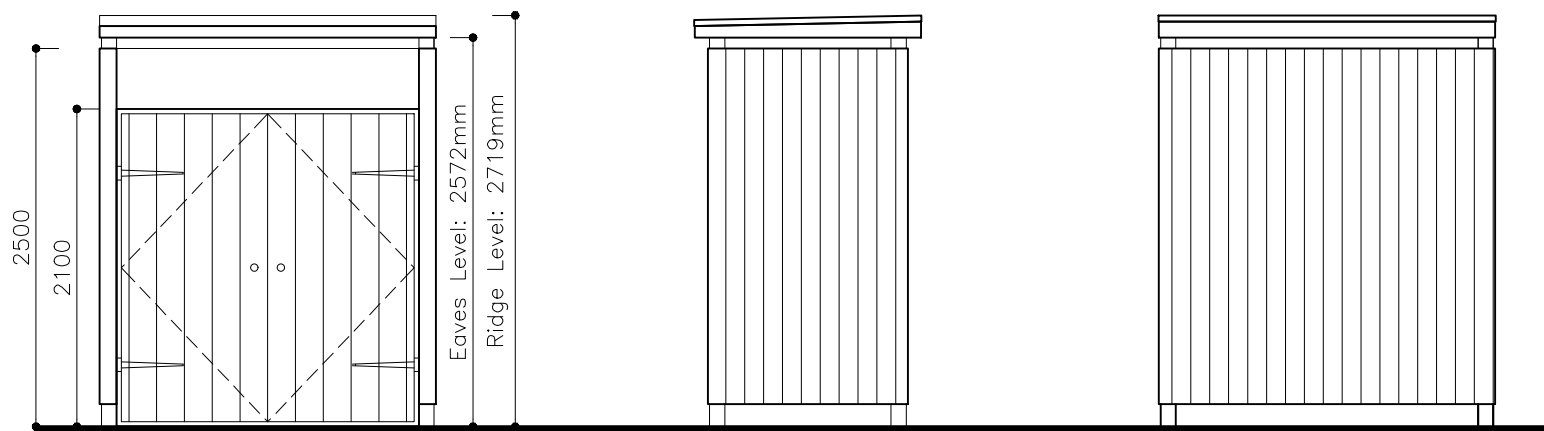
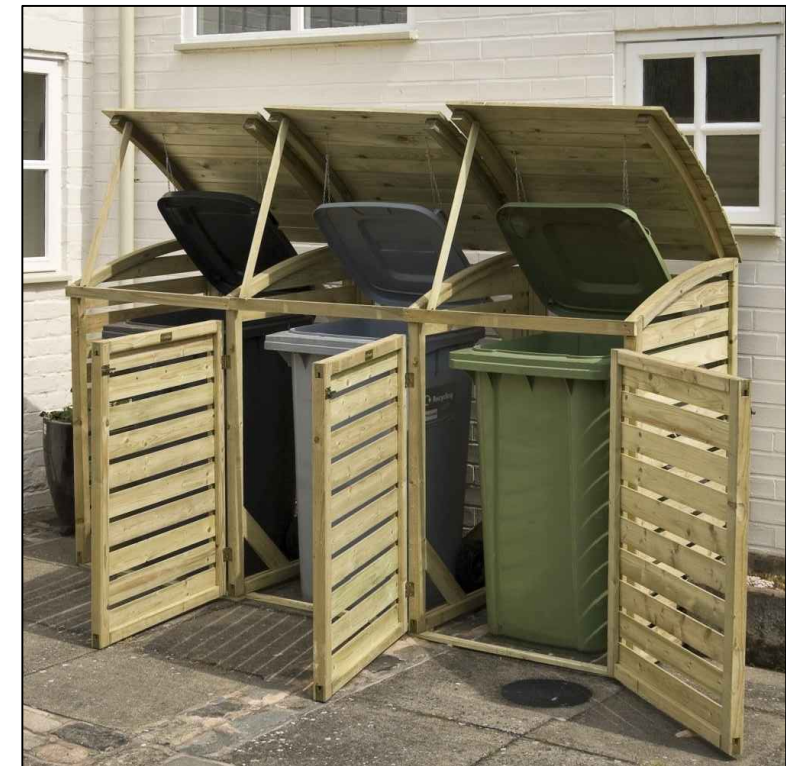
Roof Plan



Floor Plan



Refuse Storage
3no. 240 litre wheelie bins for waste, recycling & garden disposal within provided timber enclosure.



Front Elevation

Side Elevations

Rear Elevation

Typical Refuse & Cycle Storage

- See Proposed Block Plan for indicated refuse and cycle storage location

Proposed Bike Store & Refuse Storage



13 Arm & Sword Lane
Old Hatfield - Herts - AL9 5EH
www.AshbyDesign.co.uk
01707 270 077

Project
26 Copthorne Avenue,
Bromley, BR2 8NN
Title
Proposed Bike Store & Refuse Storage

Scale
1:50 @ A3

Date
Oct' 23

Drawn
CP

Checked
LS

Drawing No.
470/23/S73/PL20.01

Revision

-