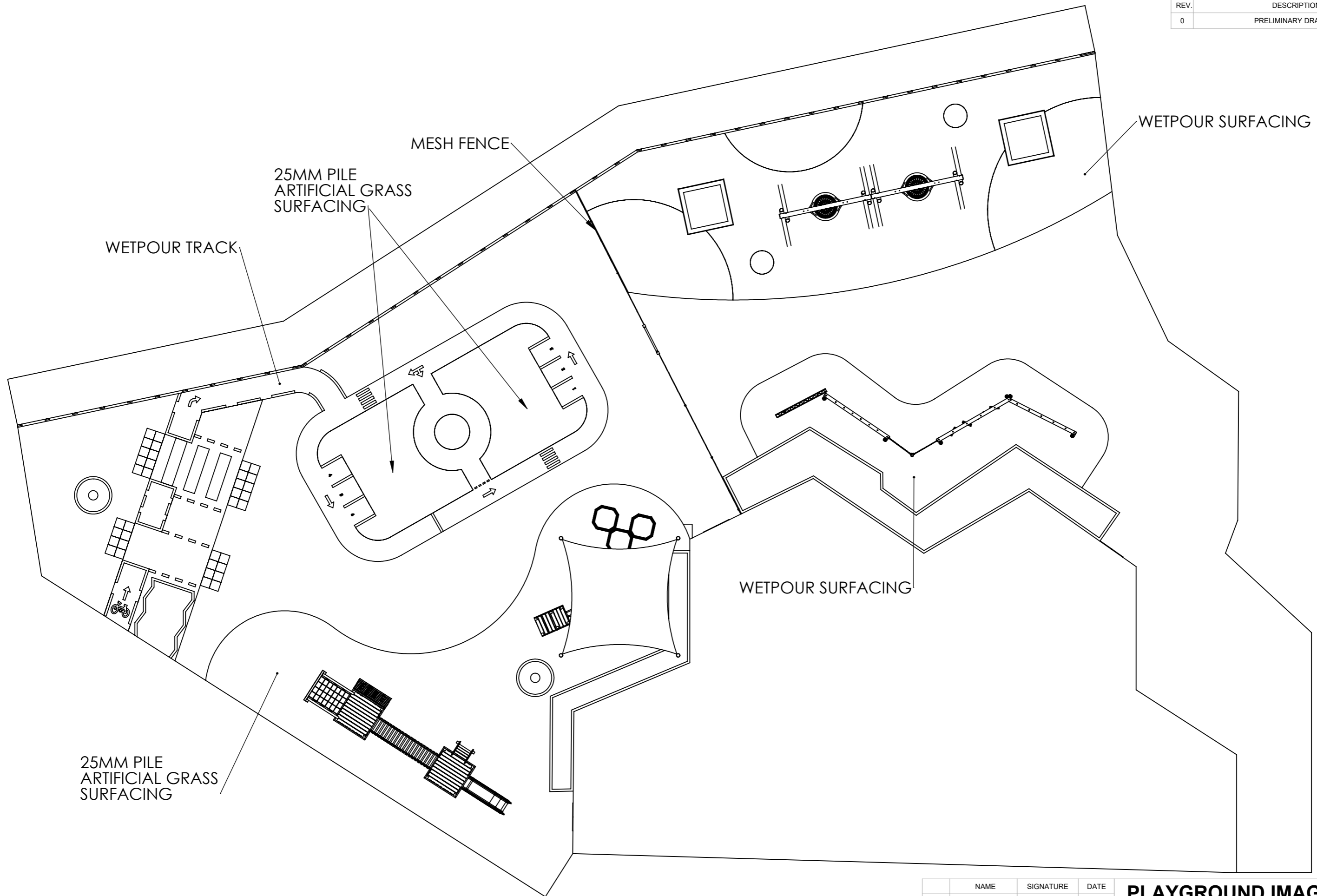


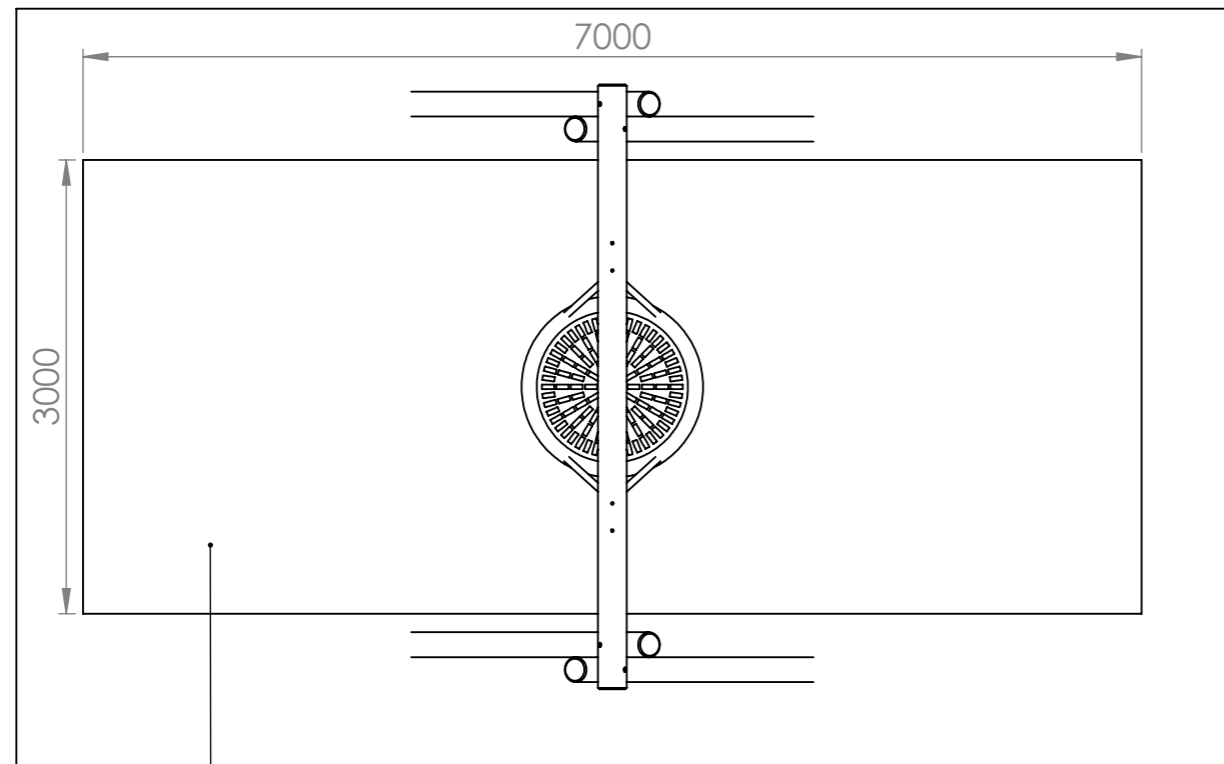
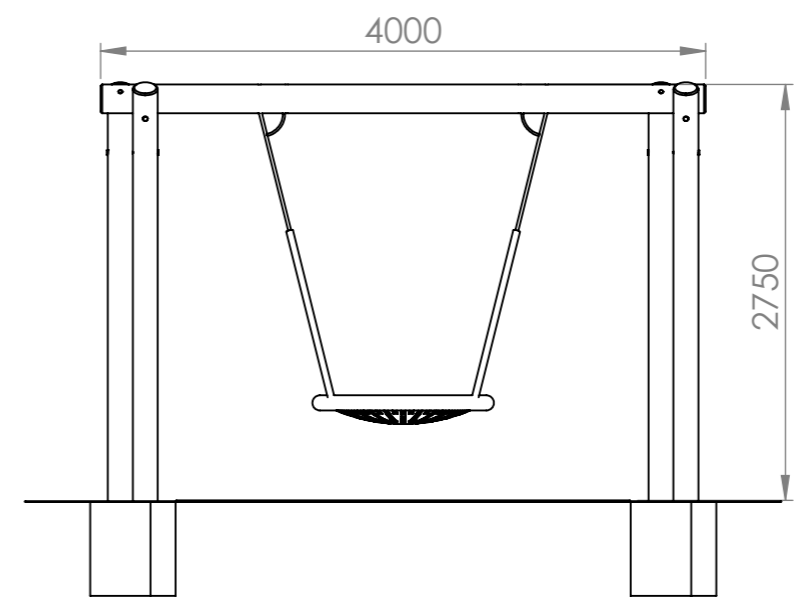
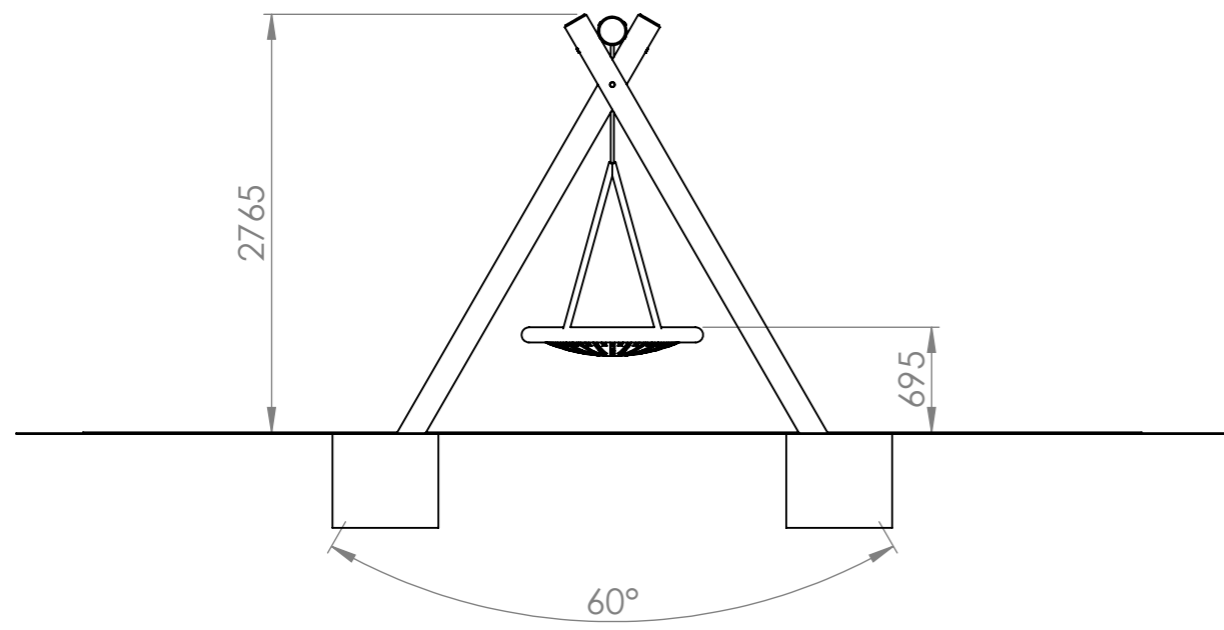
REV.	DESCRIPTION	DATE
0	PRELIMINARY DRAWING	



**SCALE 1:150**

NAME	SIGNATURE	DATE	<b>PLAYGROUND IMAGINEERING</b>	
DRAWN			TITLE:	
CHK'D			<b>COLLEGE PARK SCHOOL @ HALLFIELDS</b>	
<small>UNLESS OTHERWISE SPECIFIED, DIMENSIONS ARE IN MILLIMETERS DO NOT SCALE DRAWING</small>			DWG NO.	<b>PLAYGROUND OVERVIEW Q2845 - REV B</b>
Playground Imagineering Ltd Unit 10 Willow Court Warrington, Cheshire, WA2 8UF www.playgroundimagineering.co.uk Tel: 01925 648 959				<b>A3</b>
				<small>SCALE: 1:150 SHEET 1 OF 8</small>

REV.	DESCRIPTION	DATE
0	PRELIMINARY DRAWING	



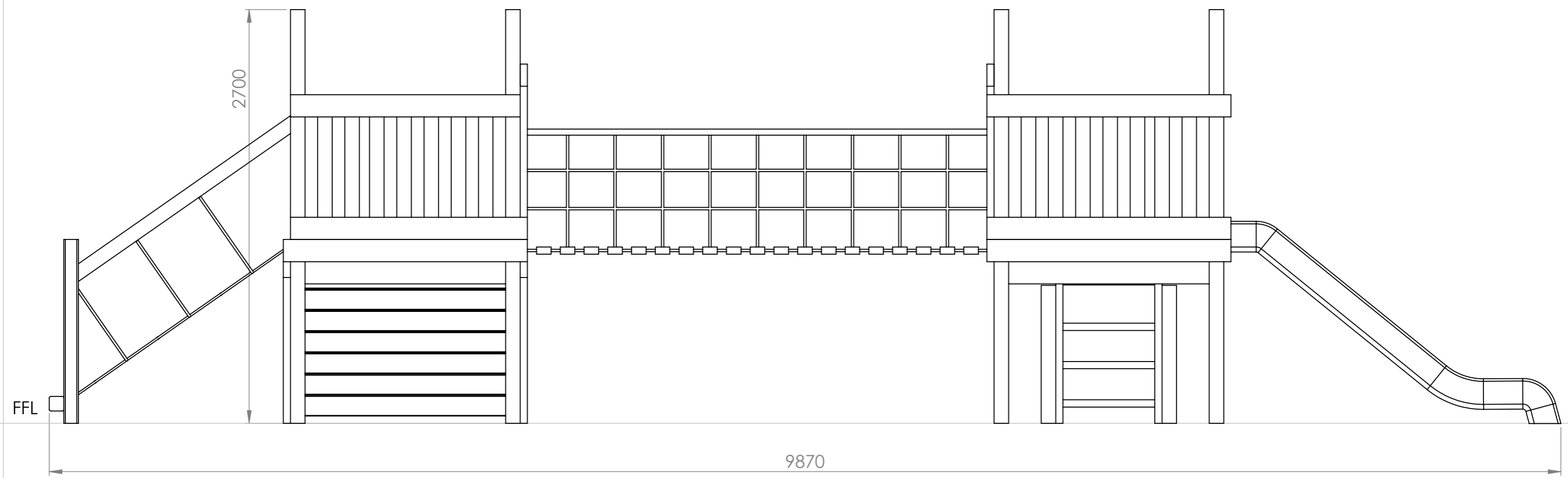
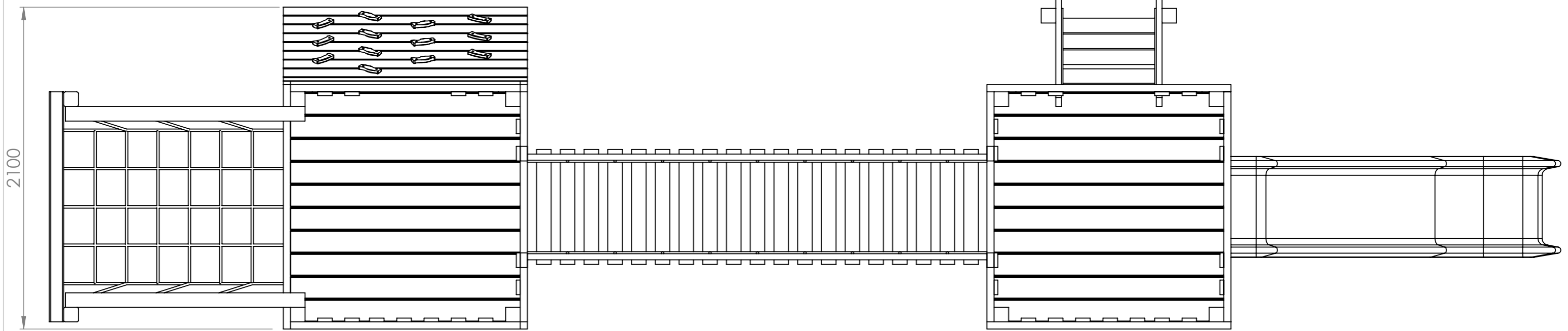
MINIMUM SURFACE REQUIREMENT

MATERIAL DETAIL:

PLAYGRADE RADIATA PINE FRAME (15 YEAR GUARANTEE AGAINST ROT & INFESTATION)  
 NYLON COATED STEEL CORE ROPES (2 YEAR GUARANTEE)  
 SECURITY FIXINGS (10 YEAR GAURANTEE AGAINST STRUCTURAL FAILURE)

NAME	SIGNATURE	DATE	<b>PLAYGROUND IMAGINEERING</b>	
DRAWN			TITLE:	
CHK'D			<b>COLLEGE PARK SCHOOL @ HALLFIELDS</b>	
<small>UNLESS OTHERWISE SPECIFIED, DIMENSIONS ARE IN MILLIMETERS DO NOT SCALE DRAWING</small>			DWG NO.	<b>BIRDS NEST SWING Q2845 - REV B</b>
Playground Imagineering Ltd Unit 10 Willow Court Warrington, Cheshire, WA2 8UF www.playgroundimagineering.co.uk Tel: 01925 648 959				<b>A3</b>
				SCALE: 1:50 SHEET 2 OF 8

REV.	DESCRIPTION	DATE
0	PRELIMINARY DRAWING	



**MATERIAL DETAIL:**

- PLAYGRADE SMOOTH PLANED R4C REDWOOD FRAME (10 YEAR GUARANTEE AGAINST ROT AND INFESTATION)
- NYLON COATED STEEL CORE ROPES (2 YEAR GAURANTEE)
- STAINLESS STEEL HANDRAILS(15 YEAR GAURANTEE ON STRUCTURAL FAILURE)
- HDPE PLASTIC SLIDE (10 YEAR GAURANTEE, 5 YEAR GAURANTEE FOR COLOUR DEGRADATION)
- SECURITY FIXINGS (10 YEAR GAURANTEE AGAINST STRUCTURAL FAILURE)

	NAME	SIGNATURE	DATE
DRAWN			
CHK'D			
<small>UNLESS OTHERWISE SPECIFIED: DIMENSIONS ARE IN MILLIMETERS DO NOT SCALE DRAWING</small>			
Playground Imagineering Ltd Unit 10 Willow Court Warrington, Cheshire, WA2 8UF www.playgroundimagineering.co.uk Tel: 01925 648 959			

**PLAYGROUND IMAGINEERING**

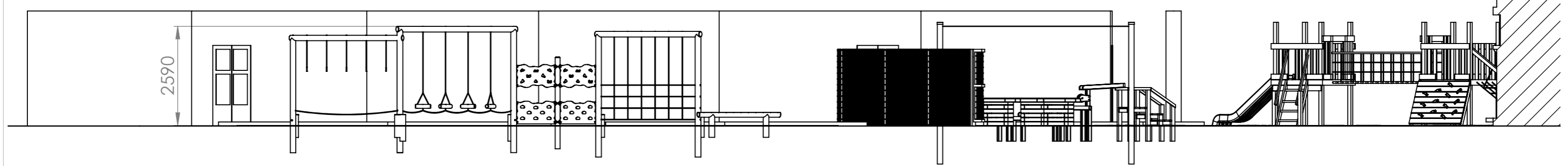
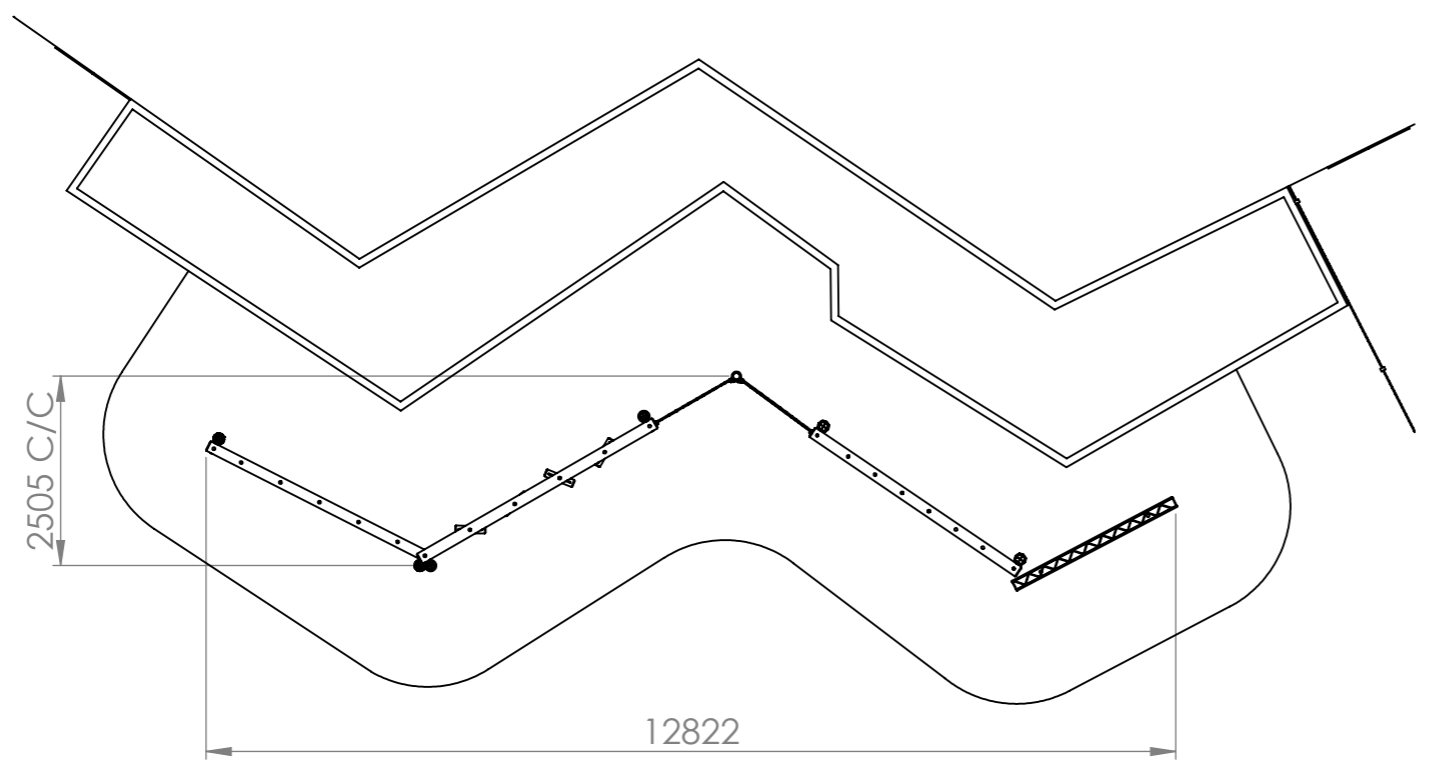
TITLE:  
**COLLEGE PARK SCHOOL @ HALLFIELDS**

DWG NO.  
**TWO TOWER CLIMBING STRUCTURE  
Q2845 - REV B**

A3

SCALE: 1:25  
SHEET 3 OF 8

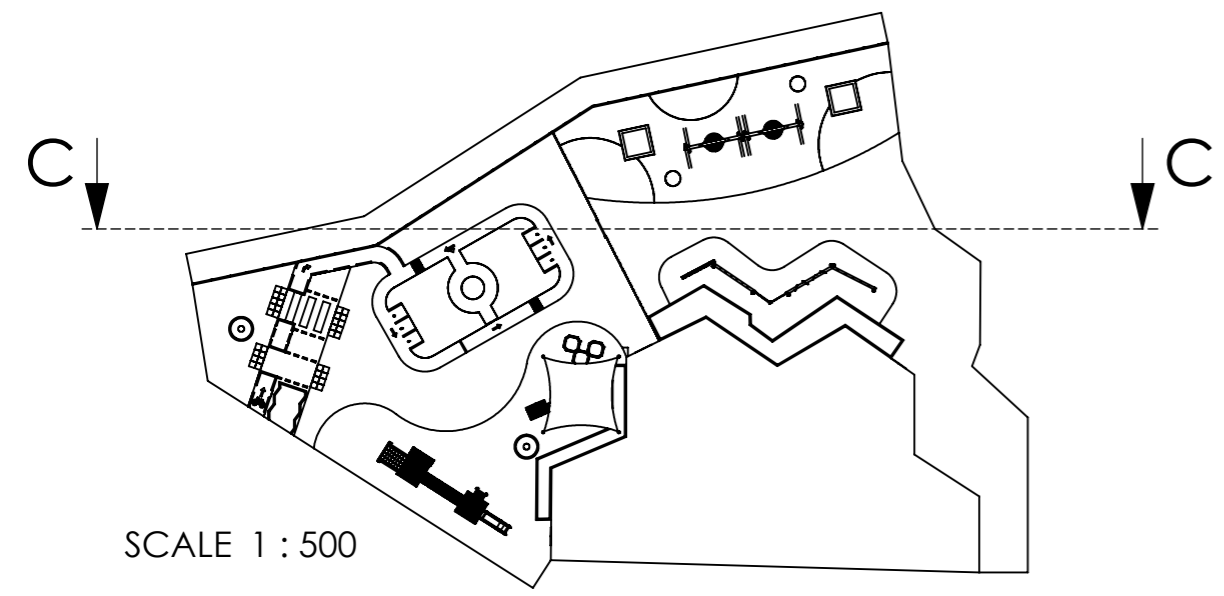
REV.	DESCRIPTION	DATE
0	PRELIMINARY DRAWING	



SECTION C-C  
SCALE 1 : 100

MATERIAL DETAIL:

PLAYGRADE RADIATA PINE FRAMES (15 YEAR GUARANTEE)  
 NYLON COATED STEEL CORE ROPES (2 YEAR GUARANTEE)  
 SECURITY FIXINGS (10 YEAR GAURANTEE AGAINST STRUCTURAL FAILURE)

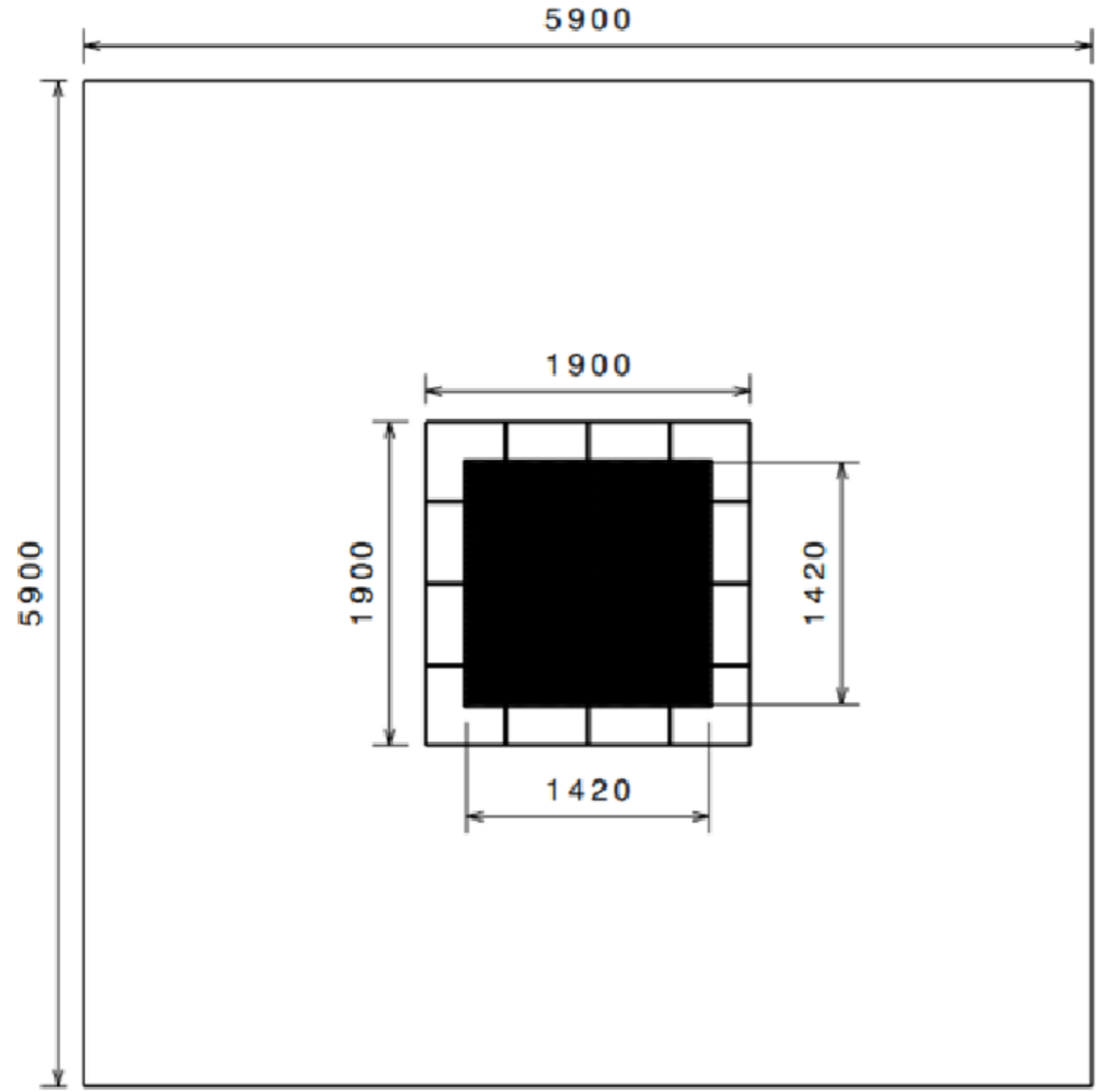


SCALE 1 : 500

NAME	SIGNATURE	DATE	<b>PLAYGROUND IMAGINEERING</b>	
DRAWN			TITLE:	
CHK'D			<b>COLLEGE PARK SCHOOL @ HALLFIELDS</b>	
<small>UNLESS OTHERWISE SPECIFIED: DIMENSIONS ARE IN MILLIMETERS DO NOT SCALE DRAWING</small>			DWG NO.	<b>A3</b>
Playground Imagineering Ltd Unit 10 Willow Court Warrington, Cheshire, WA2 8UF www.playgroundimagineering.co.uk Tel: 01925 648 959			<b>FITNESS &amp; ADVENTURE TRAIL</b>	
			<b>Q2845 - REV B</b>	
			SCALE: 1:500	SHEET 4 OF 8

REV.	DESCRIPTION	DATE
0	PRELIMINARY DRAWING	

### 4 Drawings and illustrations



top view of Bouncer Medium

- jumping area: 1420 x 1420 mm
- outside measures: 1900 x 1900 mm
- impact area: 5900 x 5900 mm

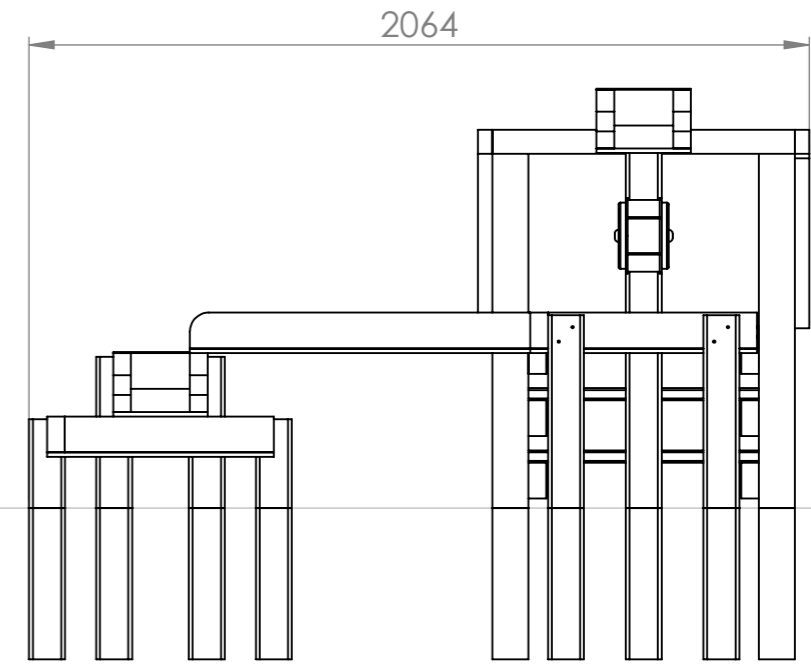
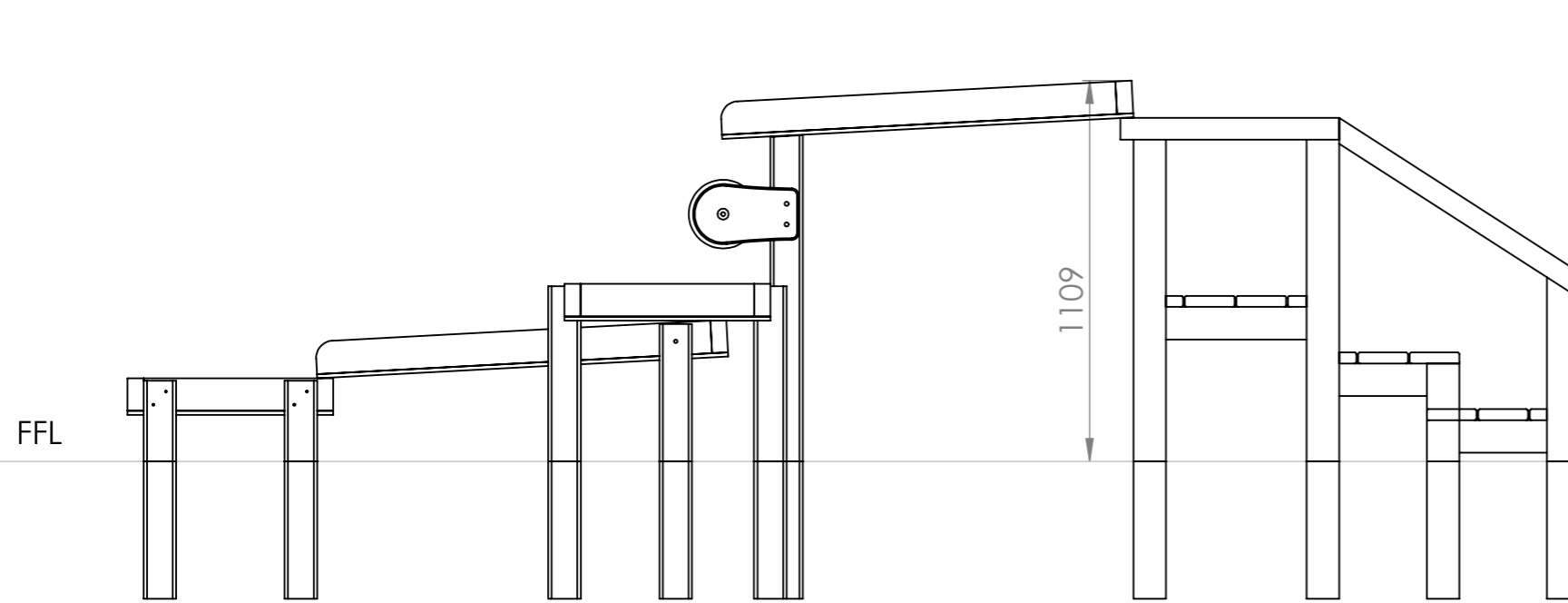
impact area

**MATERIAL DETAIL:**

- GALVANISED STEEL METAL FRAME
- RUBBER MAT SURROUND
- BLUE PLASTIC LAMELLA INNER MESH

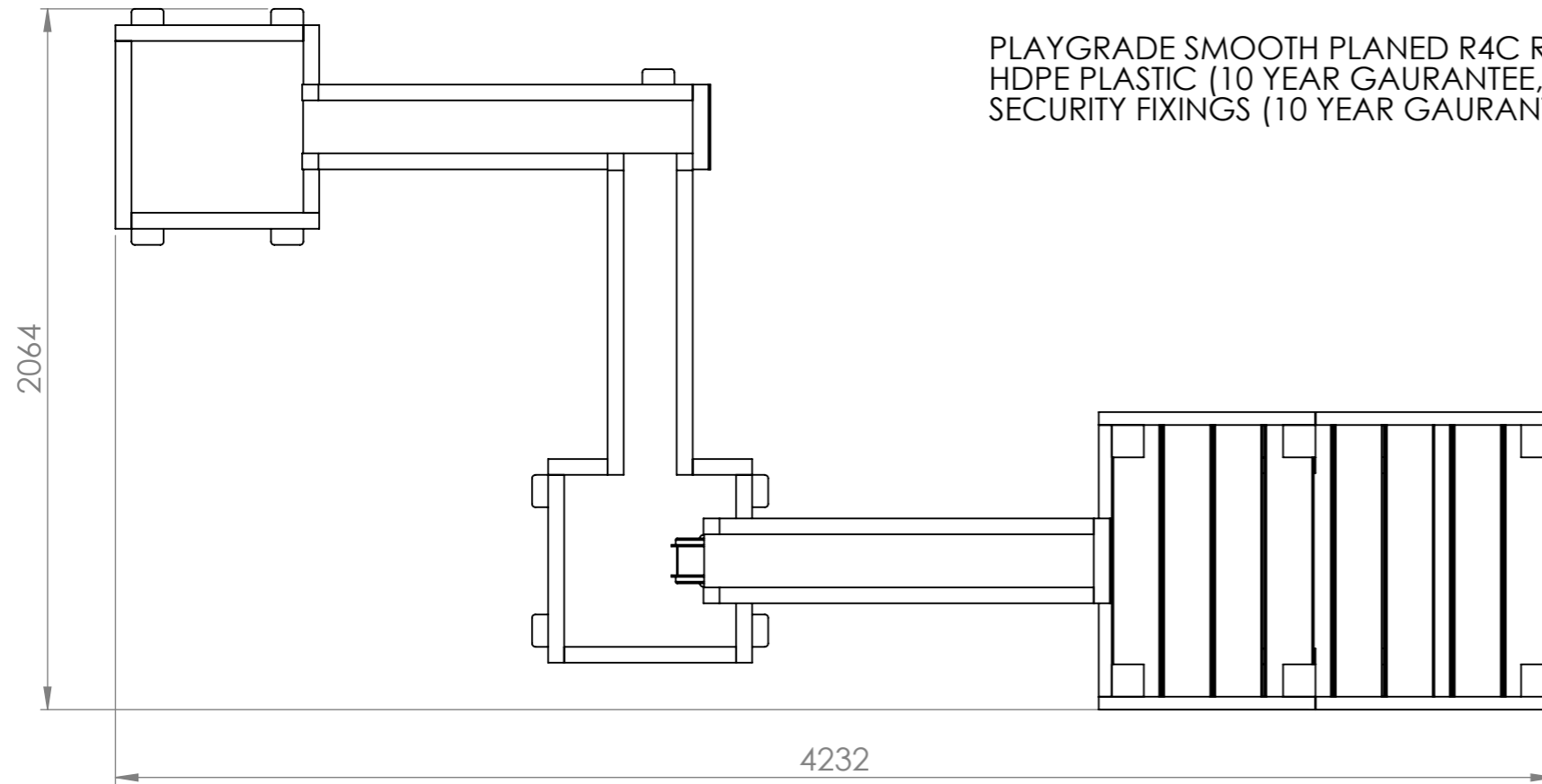
	NAME	SIGNATURE	DATE	<b>PLAYGROUND IMAGINEERING</b>	
DRAWN					
CHK'D					
<small>UNLESS OTHERWISE SPECIFIED, DIMENSIONS ARE IN MILLIMETERS DO NOT SCALE DRAWING</small>				TITLE: <b>COLLEGE PARK SCHOOL @ HALLFIELDS</b>	
Playground Imagineering Ltd Unit 10 Willow Court Warrington, Cheshire, WA2 8UF www.playgroundimagineering.co.uk Tel: 01925 648 959				DWG NO. <b>INGROUND TAMPOLINE Q2845 - REV B</b>	A3

REV.	DESCRIPTION	DATE
0	PRELIMINARY DRAWING	



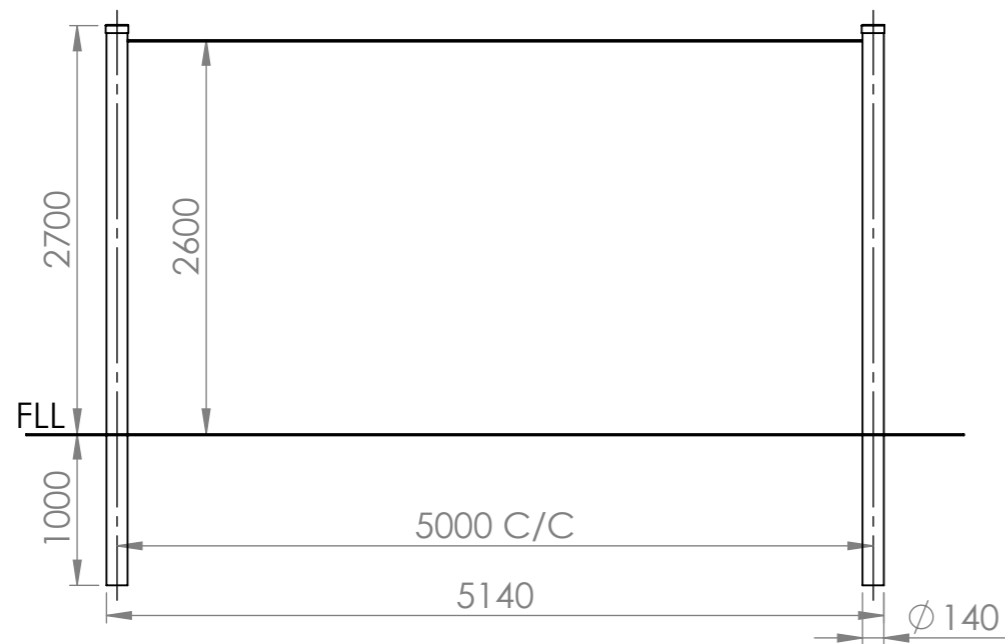
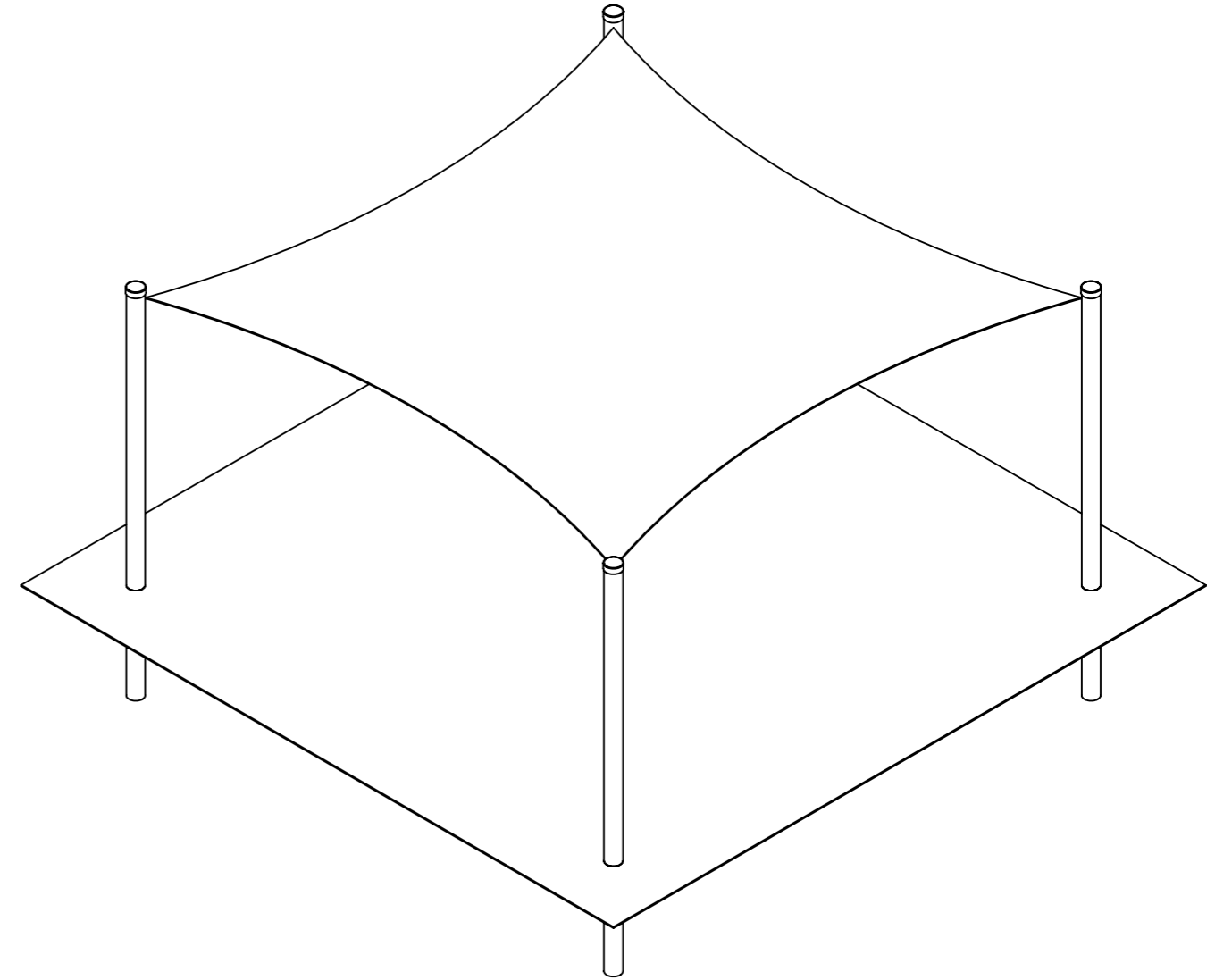
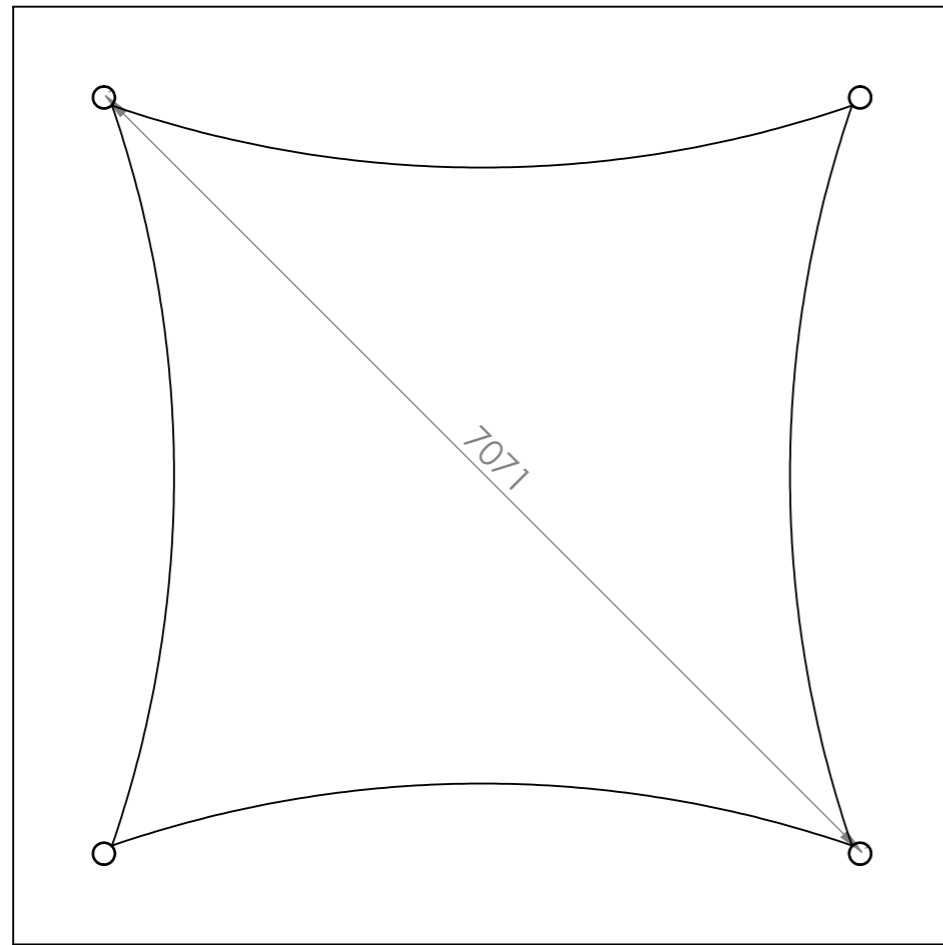
MATERIAL DETAIL:

PLAYGRADE SMOOTH PLANED R4C REDWOOD FRAME (10 YEAR GUARANTEE AGAINST ROT AND INFESTATION)  
 HDPE PLASTIC (10 YEAR GAURANTEE, 5 YEAR GAURANTEE FOR COLOUR DEGRADATION)  
 SECURITY FIXINGS (10 YEAR GAURANTEE AGAINST STRUCTURAL FAILURE)



NAME	SIGNATURE	DATE	<b>PLAYGROUND IMAGINEERING</b>	
DRAWN			TITLE:	
CHK'D			<b>COLLEGE PARK SCHOOL @ HALLFIELDS</b>	
<small>UNLESS OTHERWISE SPECIFIED, DIMENSIONS ARE IN MILLIMETERS DO NOT SCALE DRAWING</small>			DWG NO.	<b>MODULAR WATER PLAY Q2845 - REV B</b>
Playground Imagineering Ltd Unit 10 Willow Court Warrington, Cheshire, WA2 8UF www.playgroundimagineering.co.uk Tel: 01925 648 959				<b>A3</b>
				SCALE: 1:20 SHEET 6 OF 8

REV.	DESCRIPTION	DATE
0	PRELIMINARY DRAWING	

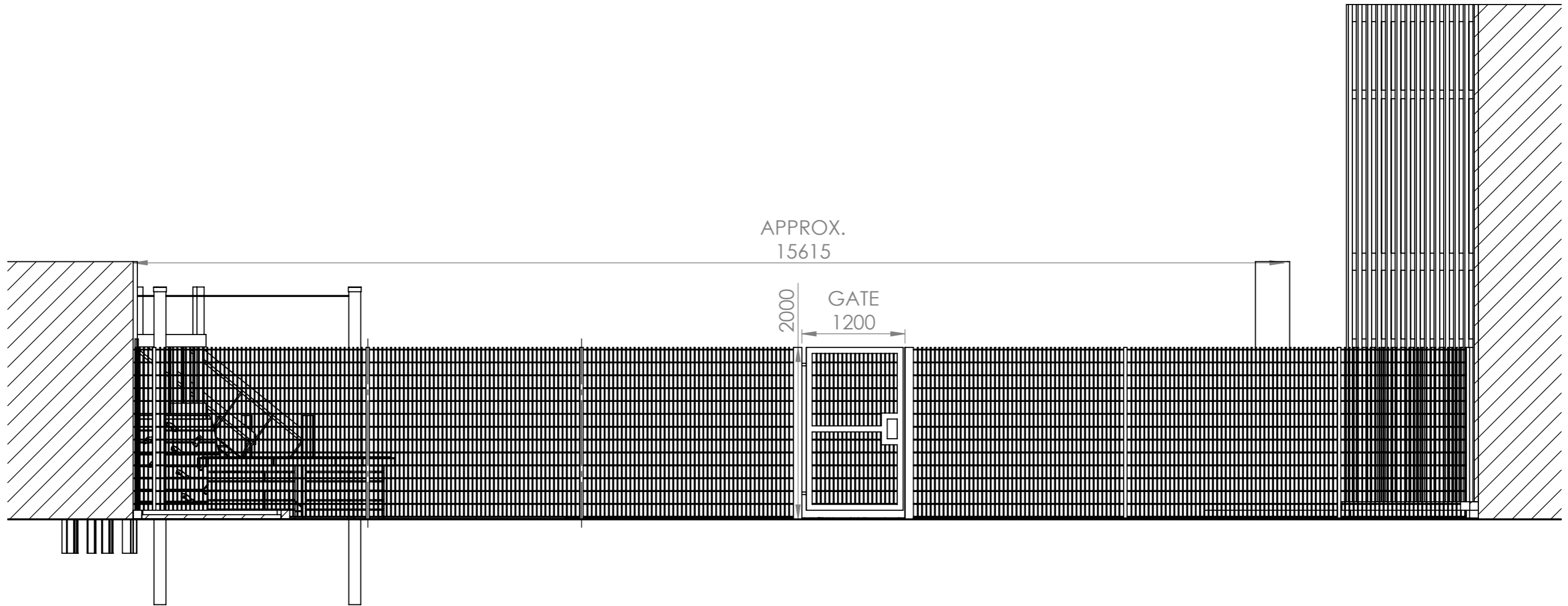


**MATERIAL DETAIL:**

GALVANISED STEEL UPRIGHT POSTS (15 YEAR GAURANTEE ON STRUCTURAL FAILURE)  
 COMMERCIAL 95 HDPE FABRIC SAIL SHADE (10 YEAR UV GAURANTEE)  
 SECURITY FIXINGS (10 YEAR GAURANTEE AGAINST STRUCTURAL FAILURE)

NAME	SIGNATURE	DATE	<b>PLAYGROUND IMAGINEERING</b>	
DRAWN			TITLE:	
CHK'D			<b>COLLEGE PARK SCHOOL @ HALLFIELDS</b>	
<small>UNLESS OTHERWISE SPECIFIED, DIMENSIONS ARE IN MILLIMETERS DO NOT SCALE DRAWING</small>			DWG NO.	<b>SAIL SHADE Q2845 - REV B</b>
Playground Imagineering Ltd Unit 10 Willow Court Warrington, Cheshire, WA2 8UF www.playgroundimagineering.co.uk Tel: 01925 648 959				<b>A3</b>
				SCALE: 1:100 SHEET 7 OF 8

REV.	DESCRIPTION	DATE
0	PRELIMINARY DRAWING	



SECTION E-E  
SCALE 1 : 50

MATERIAL DETAIL:

PROFILED WELDED MESH FENCING - GALVANISED AND POWDER COATED.  
SECURITY FIXINGS (10 YEAR GAURANTEE AGAINST STRUCTURAL FAILURE)

NAME	SIGNATURE	DATE	<b>PLAYGROUND IMAGINEERING</b>	
DRAWN			TITLE: <b>COLLEGE PARK SCHOOL @ HALLFIELDS</b>	
CHK'D			UNLESS OTHERWISE SPECIFIED: DIMENSIONS ARE IN MILLIMETERS DO NOT SCALE DRAWING	
Playground Imagineering Ltd Unit 10 Willow Court Warrington, Cheshire, WA2 8UF www.playgroundimagineering.co.uk Tel: 01925 648 959			DWG NO. <b>FENCE Q2845 - REV B</b>	A3 SCALE: 1:500 SHEET 8 OF 8