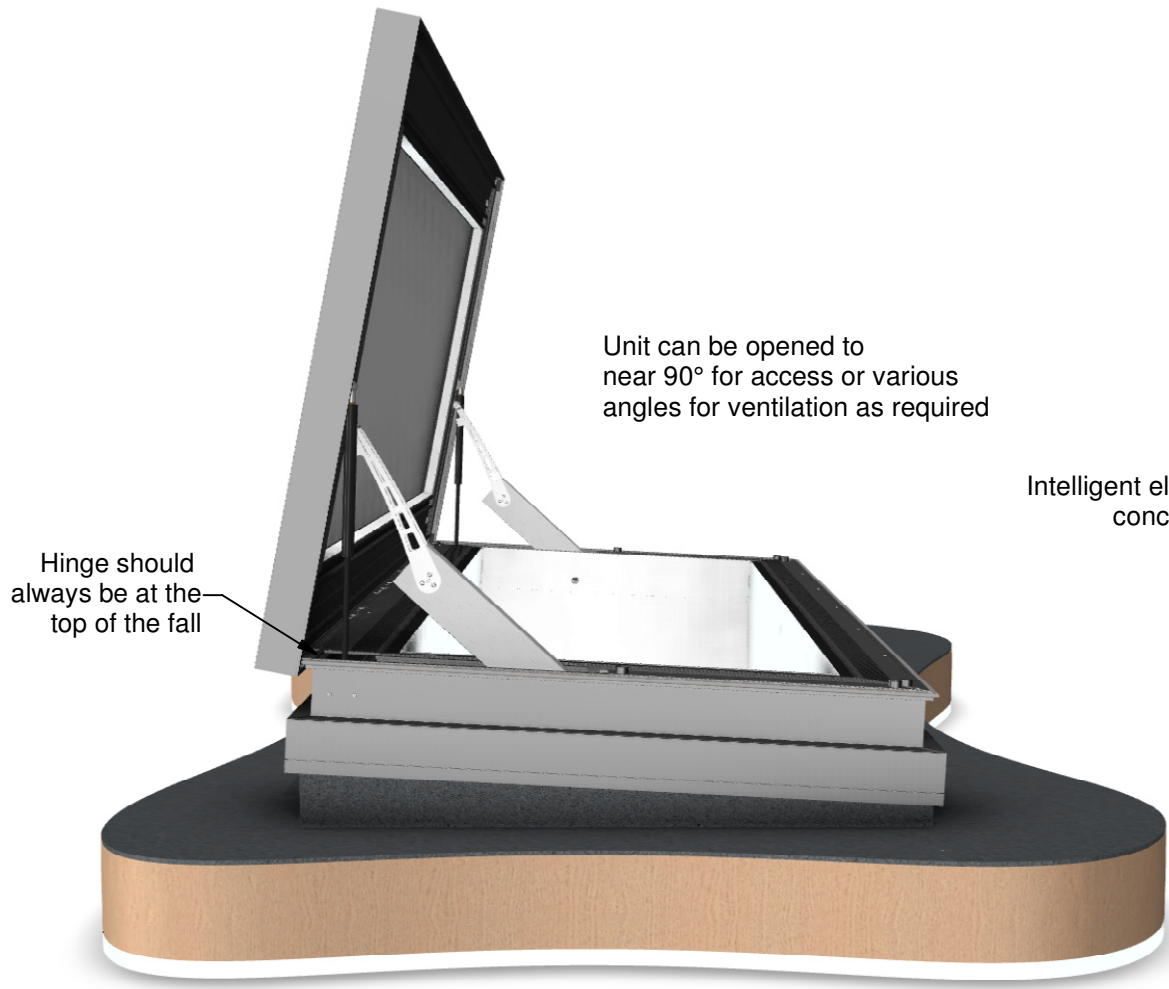
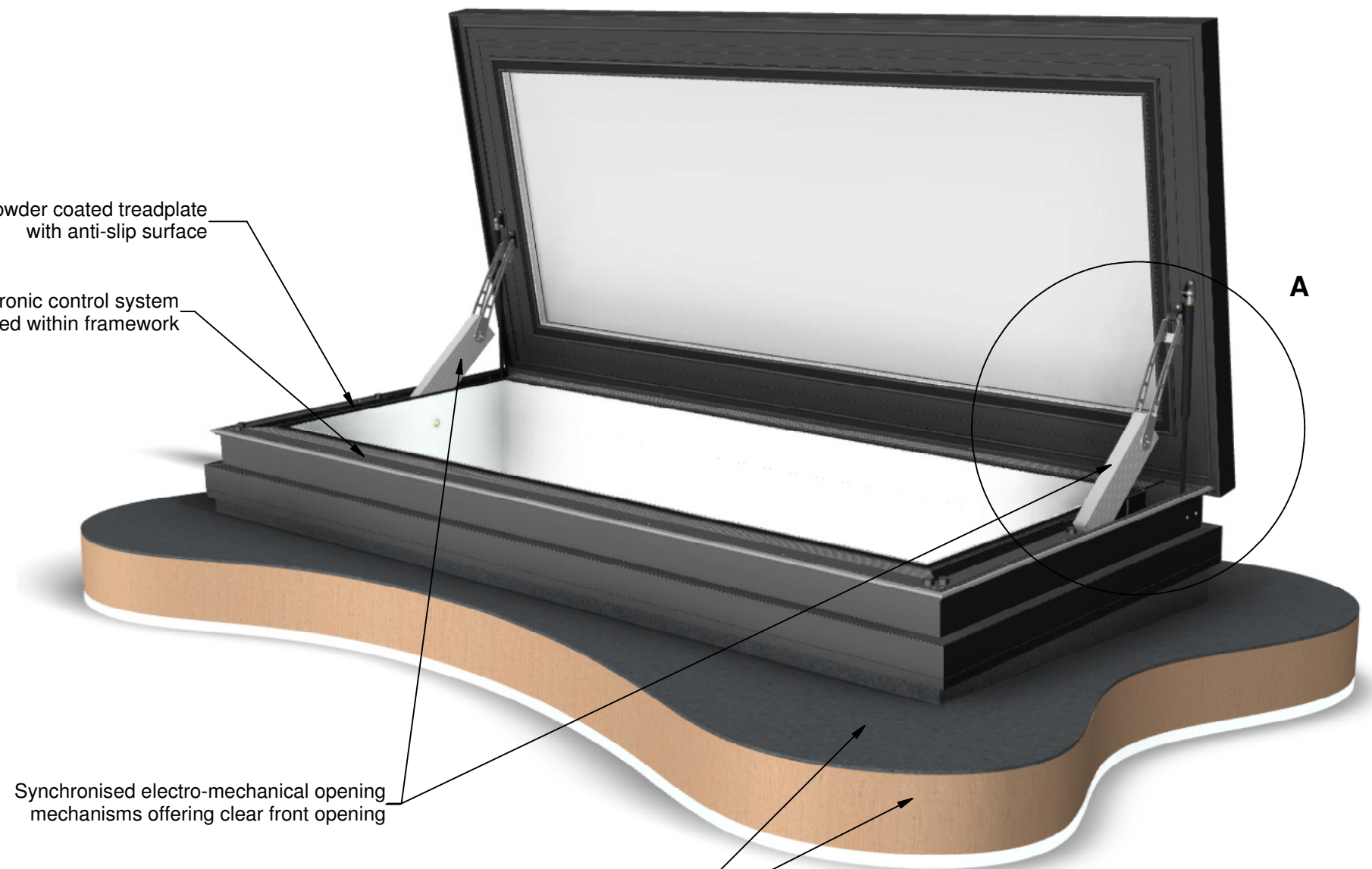


GV STANDARD SKYDOOR  
ELECTRONICALLY OPERATED HINGED SKYLIGHT



Hinge should always be at the top of the fall

Unit can be opened to near 90° for access or various angles for ventilation as required



Powder coated treadplate with anti-slip surface

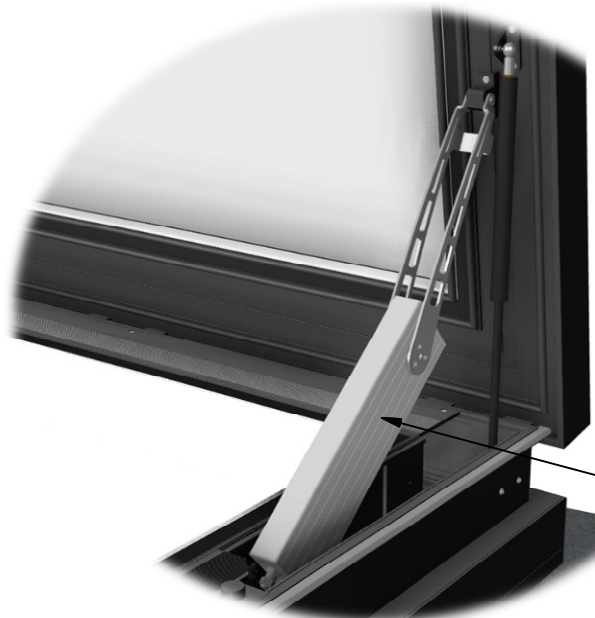
Intelligent electronic control system concealed within framework

Synchronised electro-mechanical opening mechanisms offering clear front opening

Fully weathered roof top and upstand structure (by others)

A

**Detail A**  
Mechanism detail view



Folding arm actuators assisted by gas struts concealed within framework when closed

**FEA MODELLED FOR STRUCTURAL INTEGRITY**

**THERMALLY MODELLED FOR INDUSTRY LEADING EFFICIENCY**

**REQUIRES WEATHERED UPSTAND (NOT SUPPLIED)**  
**REFER TO DRAWINGS:**

- 406-ASS-402
- 406-ASS-403
- 406-ASS-404
- 406-ASS-405
- 406-ASS-406
- 406-ASS-407
- 406-ASS-408
- 406-ASS-413
- 406-ASS-414
- 406-ASS-415

**FOR DETAILS**

# GLAZINGVISION

**UK Office**  
Sawmills Road  
Diss  
Norfolk  
IP22 4RG  
Tel: +44 (0)1379 658300  
Email: sales@glazingvision.co.uk  
Website: www.glazingvision.co.uk

**USA Office**  
201 Locust Street  
Hartford  
Connecticut  
06114  
Tel: +1 860 206 8111  
Email: sales@glazingvision.com  
Website: www.glazingvision.com

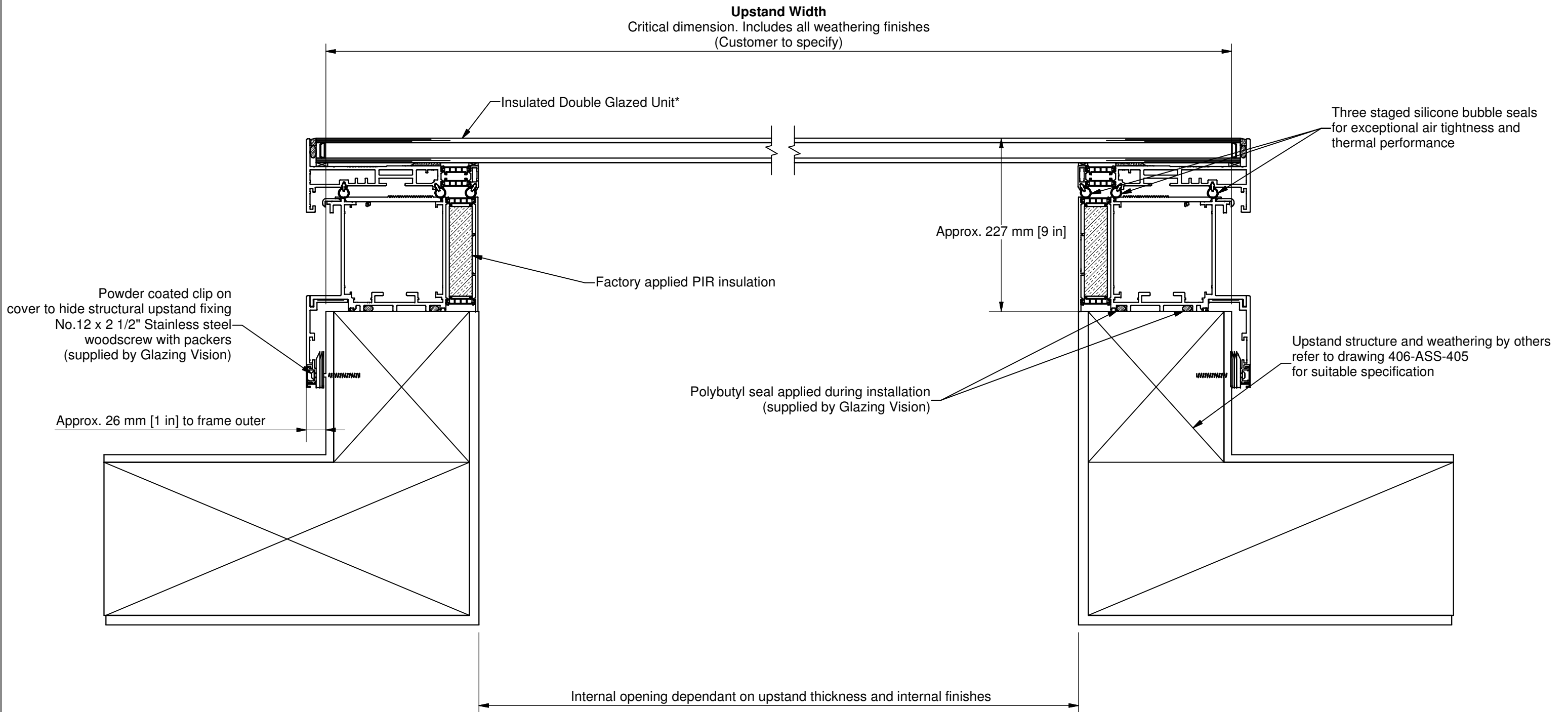
IT IS GLAZING VISION'S POLICY TO CONTINUOUSLY DEVELOP AND IMPROVE OUR PRODUCTS. WE THEREFORE RESERVE THE RIGHT TO MODIFY OR CHANGE THE DETAIL DESIGN AT OUR DISCRETION AND WITHOUT PRIOR NOTICE. THIS DRAWING IS COPYRIGHT AND THE SOLE PROPERTY OF GLAZING VISION LTD. THE DESIGNS/INFORMATION IT CONTAINS ARE PRIVATE AND CONFIDENTIAL. IT MUST NOT BE COPIED, EXHIBITED OR COMMUNICATED TO THIRD PARTIES FOR ANY PURPOSE OTHER THAN THAT FOR WHICH IT WAS ISSUED WITHOUT THE WRITTEN PERMISSION OF GLAZING VISION LTD.

Rev	Revision Description	Drawn/Date	Product: 406 GV Standard Skydoor Description: Product Overview	Checked By: ARH
A	Revised Drawing Border	ALS 07/01/2019	<b>Materials:</b> N/A <b>Finish:</b> N/A <b>Weight:</b> N/A <b>Quantity:</b> N/A <b>Scale:</b> Do Not Scale	<b>Check Date:</b> 09/01/2019
-	Initial Release	JWL 17/03/2014		

**Drawn By:** JWL  
**Drawn Date:** 12/02/2014  
**Drawing No:** 406-ASS-401

**Section A-A ( Scale 1:5 @ A3 )**

(Across the fall)



\*Glazing Composition Dependent on Required Sizes and Options.  
Triple Glazed Option Available on Some Sizes

Standard colour:  
RAL7015 Slate Grey outer  
RAL9010 Pure White inner

**GLAZINGVISION**

**UK Office**  
Sawmills Road  
Diss  
Norfolk  
IP22 4RG  
Tel: +44 (0)1379 658300  
Email: sales@glazingvision.co.uk  
Website: www.glazingvision.co.uk

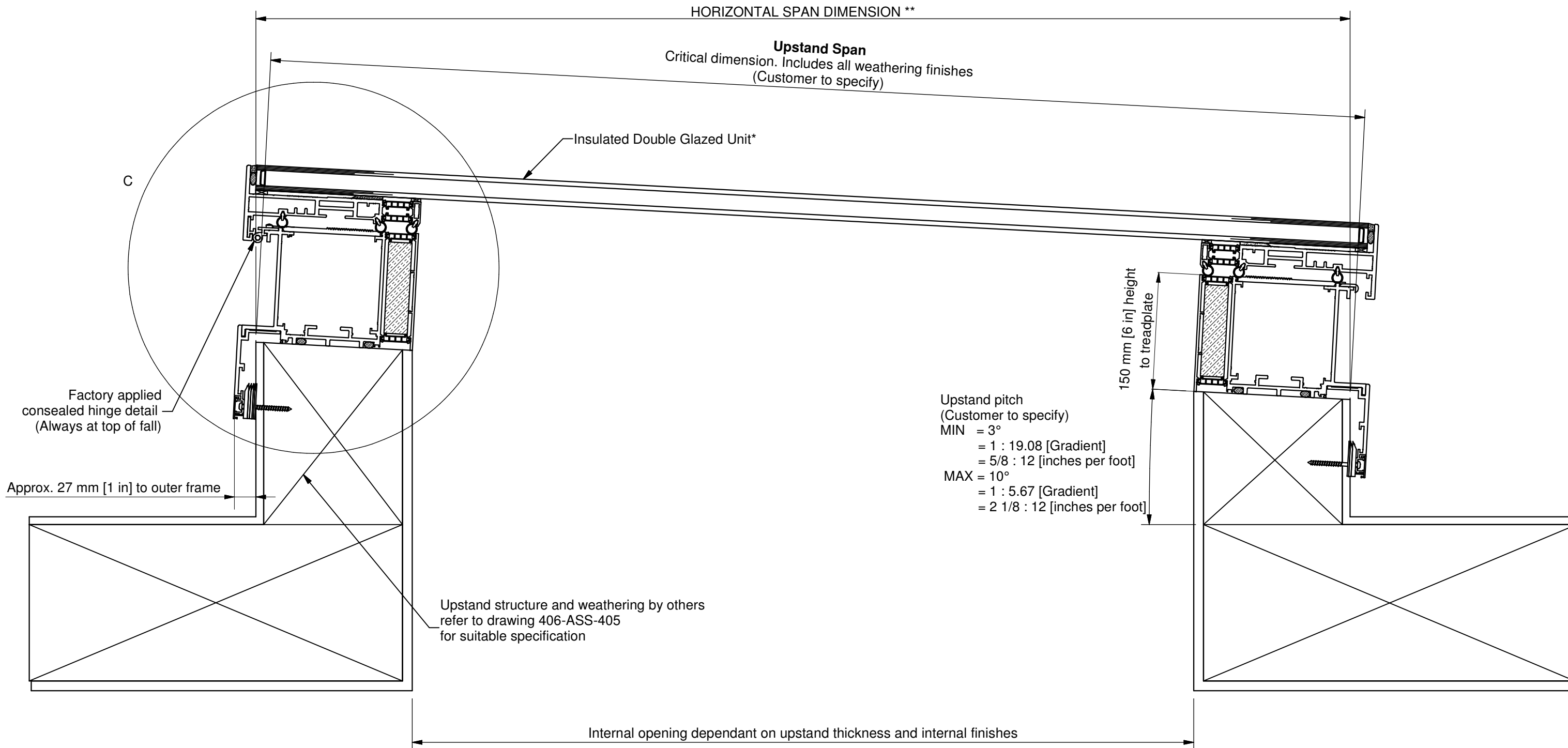
**USA Office**  
201 Locust Street  
Hartford  
Connecticut  
06114  
Tel: +1 860 206 8111  
Email: sales@glazingvision.com  
Website: www.glazingvision.com

IT IS GLAZING VISION'S POLICY TO CONTINUOUSLY DEVELOP AND IMPROVE OUR PRODUCTS. WE THEREFORE RESERVE THE RIGHT TO MODIFY OR CHANGE THE DETAIL DESIGN AT OUR DISCRETION AND WITHOUT PRIOR NOTICE. THIS DRAWING IS COPYRIGHT AND THE SOLE PROPERTY OF GLAZING VISION LTD. THE DESIGNS/INFORMATION IT CONTAINS ARE PRIVATE AND CONFIDENTIAL. IT MUST NOT BE COPIED, EXHIBITED OR COMMUNICATED TO THIRD PARTIES FOR ANY PURPOSE OTHER THAN THAT FOR WHICH IT WAS ISSUED WITHOUT THE WRITTEN PERMISSION OF GLAZING VISION LTD.

Rev	Revision Description	Drawn/Date	Product: 406 GV Standard Skydoor	Checked By:
A	Drawing Border Revised	ALS 08/01/2019	Description: Section A-A (Across the fall)	ARH
-	Initial Release	JWL 12/02/2014	Materials: N/A Finish: N/A Weight: N/A Quantity: N/A Scale: Do Not Scale	Check Date: 09/01/2019
			Drawn By: JWL Drawn Date: 12/02/2014 Drawing No: 406-ASS-402	

**Section B-B ( Scale 1:5 @ A3 )**

(Along fall)



Uprand pitch  
(Customer to specify)  
MIN = 3°  
= 1 : 19.08 [Gradient]  
= 5/8 : 12 [inches per foot]  
MAX = 10°  
= 1 : 5.67 [Gradient]  
= 2 1/8 : 12 [inches per foot]

\*\* Dimension calculated as:  
SLOPED SPAN x COSINE(PITCH°) = HORIZONTAL SPAN  
e.g. 2000cos(3) = 1997mm  
or alternatively,  
SLOPED SPAN / ROOF PITCH MULTIPLIER = HORIZONTAL SPAN  
where ROOF PITCH MULTIPLIER =  $\sqrt{((rise/run)^2 + 1)}$   
e.g. 78" SLOPED SPAN /  $(\sqrt{((5/8" / 12")^2 + 1)})$  = 77 7/8" HORIZONTAL SPAN

\*Glazing Composition Dependent on Required Sizes and Options.  
Triple Glazed Option Available on Some Sizes

Standard colour:  
RAL7015 Slate Grey outer  
RAL9010 Pure White inner

**GLAZINGVISION**

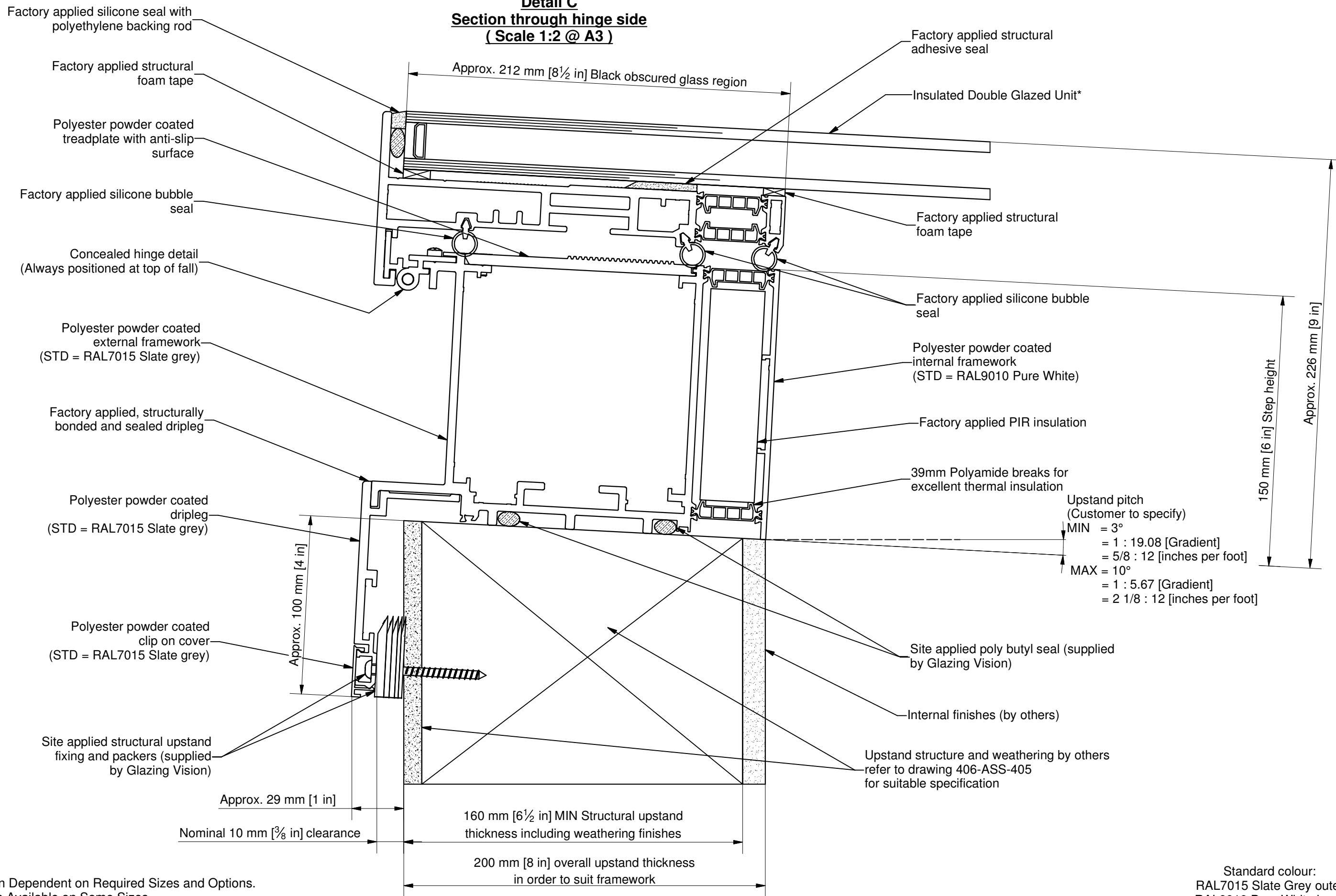
**UK Office**  
Sawmills Road  
Diss  
Norfolk  
IP22 4RG  
Tel: +44 (0)1379 658300  
Email: sales@glazingvision.co.uk  
Website: www.glazingvision.co.uk

**USA Office**  
201 Locust Street  
Hartford  
Connecticut  
06114  
Tel: +1 860 206 8111  
Email: sales@glazingvision.com  
Website: www.glazingvision.com

IT IS GLAZING VISION'S POLICY TO CONTINUOUSLY DEVELOP AND IMPROVE OUR PRODUCTS. WE THEREFORE RESERVE THE RIGHT TO MODIFY OR CHANGE THE DETAIL DESIGN AT OUR DISCRETION AND WITHOUT PRIOR NOTICE. THIS DRAWING IS COPYRIGHT AND THE SOLE PROPERTY OF GLAZING VISION LTD. THE DESIGNS/INFORMATION IT CONTAINS ARE PRIVATE AND CONFIDENTIAL. IT MUST NOT BE COPIED, EXHIBITED OR COMMUNICATED TO THIRD PARTIES FOR ANY PURPOSE OTHER THAN THAT FOR WHICH IT WAS ISSUED WITHOUT THE WRITTEN PERMISSION OF GLAZING VISION LTD.

Rev	Revision Description	Drawn/Date	Product: 406 GV Standard Skydoor	Checked By:
A	Drawing Border Revised	ALS 09/01/2019	Description: Section B-B (Along fall)	ARH
-	Initial release	JWL 12/02/2012	Materials: N/A Finish: N/A Weight: N/A Quantity: N/A Scale: Do Not Scale	Check Date: 09/01/2019
			Drawn By: JWL Drawn Date: 12/02/2014 Drawing No: 406-ASS-403	

**Detail C**  
**Section through hinge side**  
**( Scale 1:2 @ A3 )**



\*Glazing Composition Dependent on Required Sizes and Options.  
 Triple Glazed Option Available on Some Sizes

Standard colour:  
 RAL7015 Slate Grey outer  
 RAL9010 Pure White inner

**GLAZINGVISION**

**UK Office**  
 Sawmills Road  
 Diss  
 Norfolk  
 IP22 4RG  
 Tel: +44 (0)1379 658300  
 Email: sales@glazingvision.co.uk  
 Website: www.glazingvision.co.uk

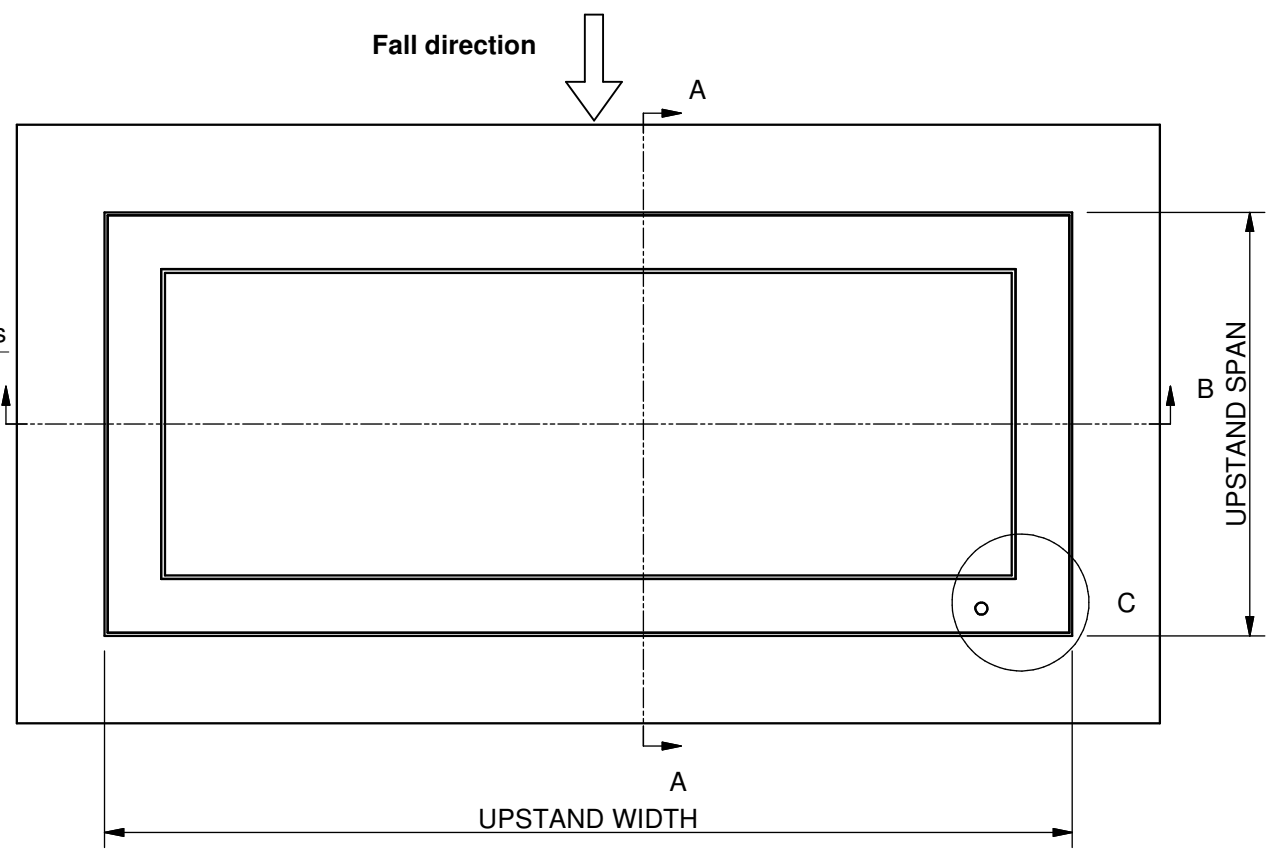
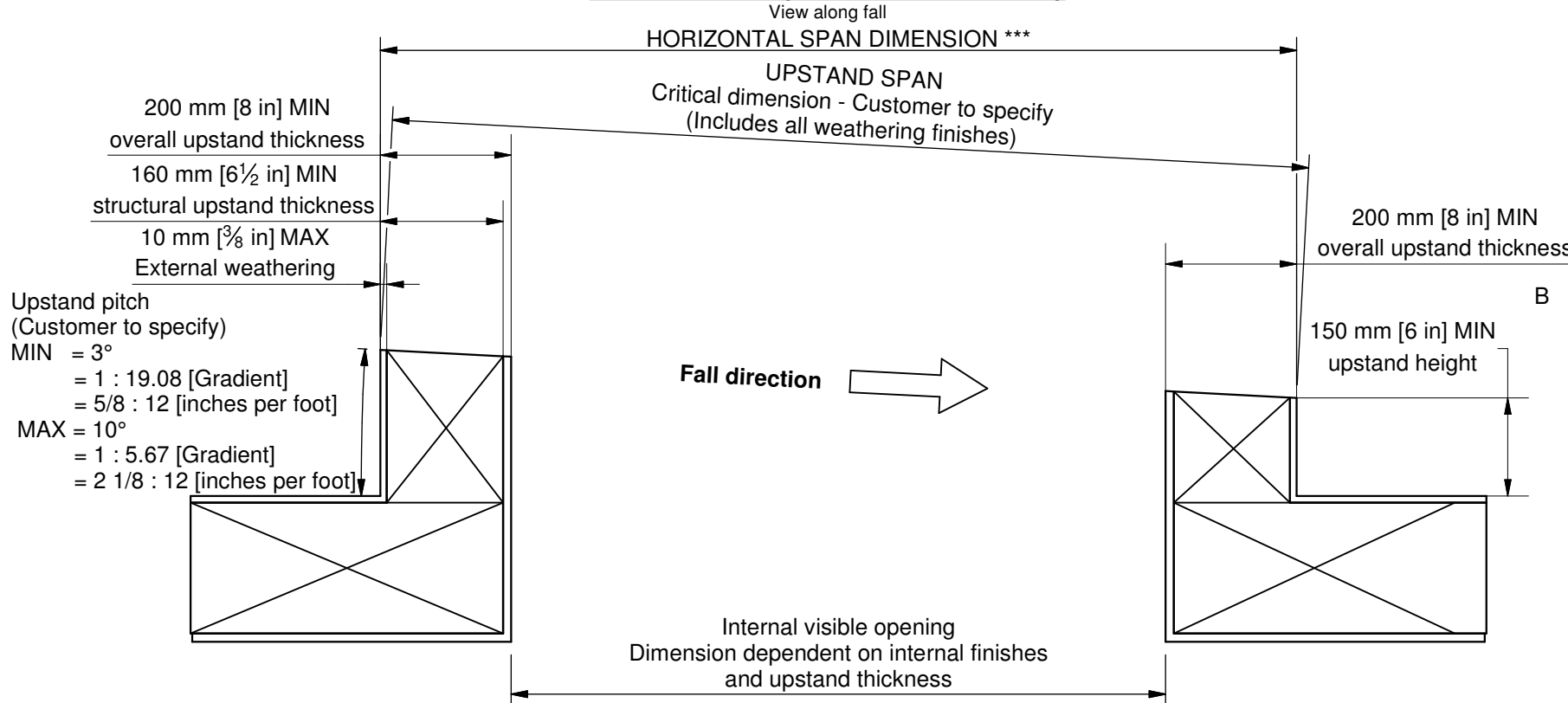
**USA Office**  
 201 Locust Street  
 Hartford  
 Connecticut  
 06114  
 Tel: +1 860 206 8111  
 Email: sales@glazingvision.com  
 Website: www.glazingvision.com

IT IS GLAZING VISION'S POLICY TO CONTINUOUSLY DEVELOP AND IMPROVE OUR PRODUCTS. WE THEREFORE RESERVE THE RIGHT TO MODIFY OR CHANGE THE DETAIL DESIGN AT OUR DISCRETION AND WITHOUT PRIOR NOTICE. THIS DRAWING IS COPYRIGHT AND THE SOLE PROPERTY OF GLAZING VISION LTD. THE DESIGNS/INFORMATION IT CONTAINS ARE PRIVATE AND CONFIDENTIAL. IT MUST NOT BE COPIED, EXHIBITED OR COMMUNICATED TO THIRD PARTIES FOR ANY PURPOSE OTHER THAN THAT FOR WHICH IT WAS ISSUED WITHOUT THE WRITTEN PERMISSION OF GLAZING VISION LTD.

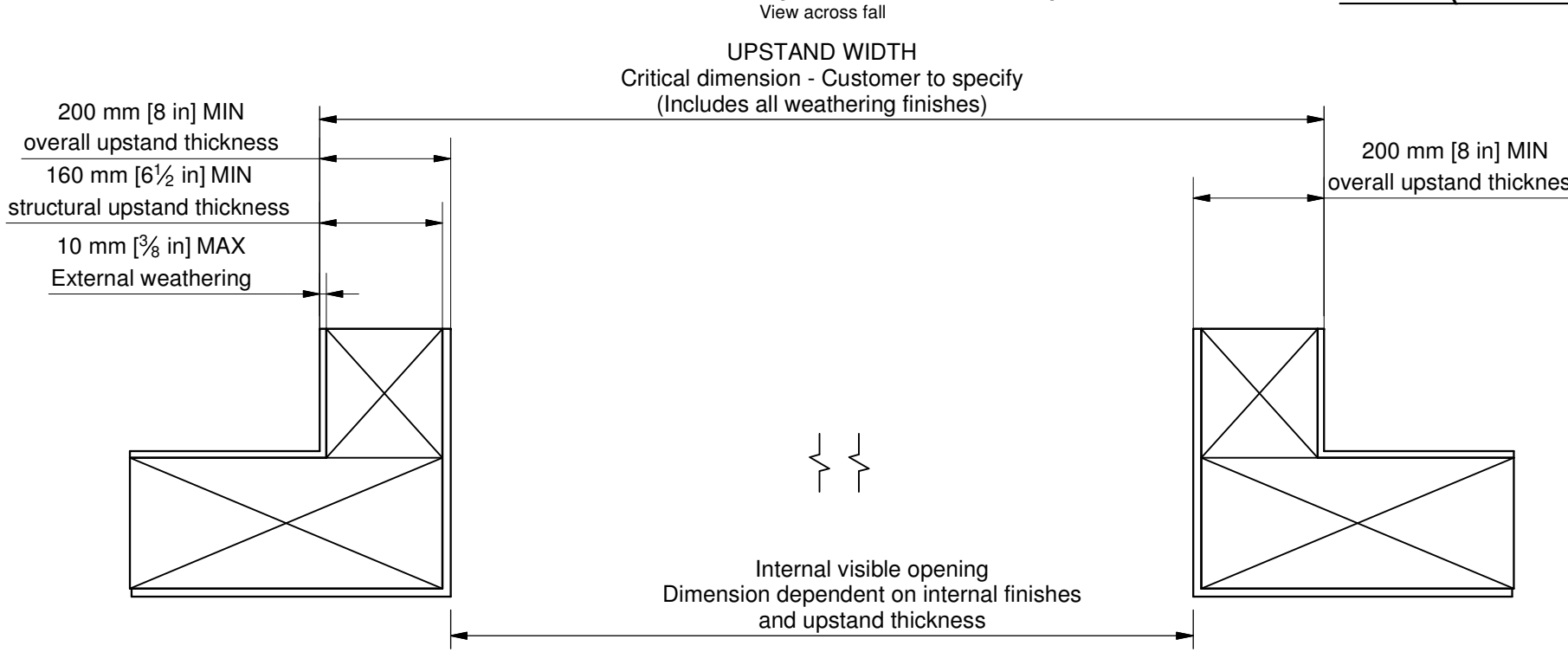
Rev	Revision Description	Drawn/Date	Product: 406 GV Standard Skydoor	Checked By:
C	Drawing Border Revised	ALS 09/01/2019	Description: Detail C (Section Through Hinged Side)	ARH
B	Overall upstand thickness dimension text amended	ALS 16/04/2015	Materials: N/A Finish: N/A Weight: N/A Quantity: N/A Scale: Do Not Scale	Check Date: 09/01/2019
			Drawn By: JWJ Drawn Date: 12/02/2014	
			Drawing No: 406-ASS-404	



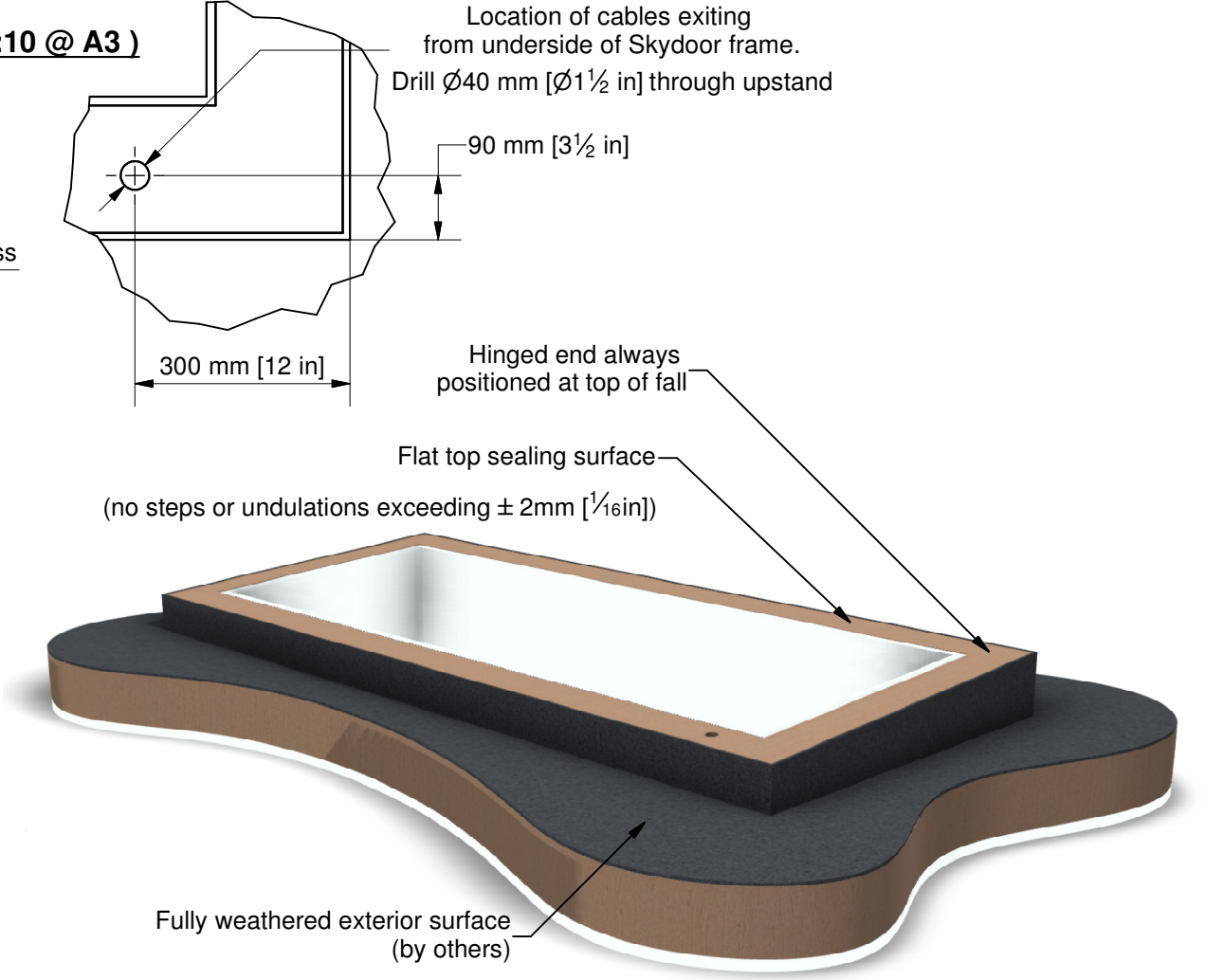
**Section A-A ( Scale 1:10 @ A3 )**



**Section B-B ( Scale 1:10 @ A3 )**



**Detail C ( Scale 1:10 @ A3 )**



\*\* Dimension calculated as:  
 $SLOPED\ SPAN \times \cos(PITCH^\circ) = HORIZONTAL\ SPAN$   
 e.g.  $2000\cos(3) = 1997\text{mm}$   
 or alternatively,  
 $SLOPED\ SPAN / ROOF\ PITCH\ MULTIPLIER = HORIZONTAL\ SPAN$   
 where  $ROOF\ PITCH\ MULTIPLIER = \sqrt{((rise/run)^2 + 1)}$   
 e.g.  $78" SLOPED\ SPAN / \sqrt{((5/8" / 12")^2 + 1)} = 77\ 7/8" HORIZONTAL\ SPAN$

**GLAZINGVISION**

**UK Office**  
 Sawmills Road  
 Diss  
 Norfolk  
 IP22 4RG  
 Tel: +44 (0)1379 658300  
 Email: sales@glazingvision.co.uk  
 Website: www.glazingvision.co.uk

**USA Office**  
 201 Locust Street  
 Hartford  
 Connecticut  
 06114  
 Tel: +1 860 206 8111  
 Email: sales@glazingvision.com  
 Website: www.glazingvision.com

IT IS GLAZING VISION'S POLICY TO CONTINUOUSLY DEVELOP AND IMPROVE OUR PRODUCTS. WE THEREFORE RESERVE THE RIGHT TO MODIFY OR CHANGE THE DETAIL DESIGN AT OUR DISCRETION AND WITHOUT PRIOR NOTICE. THIS DRAWING IS COPYRIGHT AND THE SOLE PROPERTY OF GLAZING VISION LTD. THE DESIGNS/INFORMATION IT CONTAINS ARE PRIVATE AND CONFIDENTIAL. IT MUST NOT BE COPIED, EXHIBITED OR COMMUNICATED TO THIRD PARTIES FOR ANY PURPOSE OTHER THAN THAT FOR WHICH IT WAS ISSUED WITHOUT THE WRITTEN PERMISSION OF GLAZING VISION LTD.

Rev	Revision Description	Drawn/Date	Product: 406 GV Standard Skydoor Description: Upstand Detail	Checked By:
A	Drawing Border Revised	ALS 08/01/2019	Materials: N/A	ARH
-	Initial Release	JWL 12/02/2014	Finish: N/A Weight: N/A Quantity: N/A Scale: Do Not Scale	Check Date: 09/01/2019
			Drawn By: JWL Drawn Date: 12/02/2014 Drawing No: 406-ASS-405	

This is a computer generated drawing

IT IS GLAZING VISION'S POLICY TO CONTINUOUSLY DEVELOP AND IMPROVE OUR PRODUCTS. WE THEREFORE RESERVE THE RIGHT TO MODIFY OR CHANGE THE DETAIL DESIGN AT OUR DISCRETION AND WITHOUT PRIOR NOTICE.

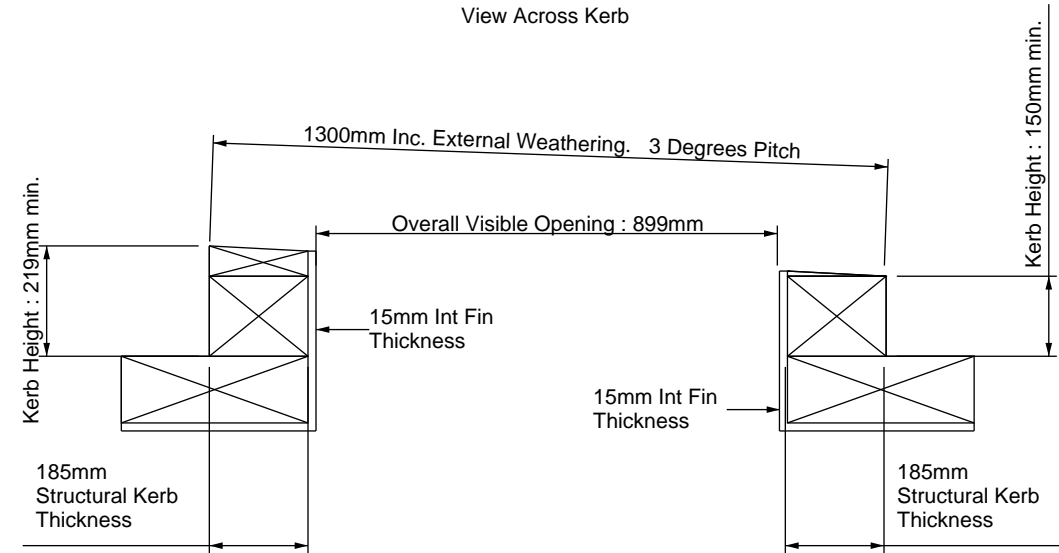
THIS DRAWING IS COPYRIGHT AND THE SOLE PROPERTY OF GLAZING VISION LTD. THE DESIGNS / INFORMATION IT CONTAINS ARE PRIVATE AND CONFIDENTIAL. IT MUST NOT BE COPIED, EXHIBITED OR COMMUNICATED TO THIRD PARTIES FOR ANY PURPOSE OTHER THAN THAT FOR WHICH IT WAS ISSUED WITHOUT THE WRITTEN PERMISSION OF GLAZING VISION LTD.

**FINISH SPECIFICATION**

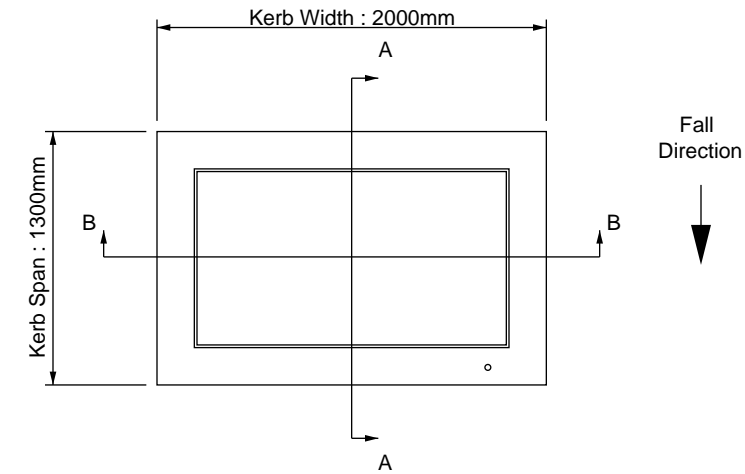
Polyester Powder Coated: **MIN 40 µm**  
Internal Standard Colour: *N/A*  
External Standard Colour: *N/A*  
FIXINGS: **A2 STAINLESS STEEL**  
SEALANTS: **NEUTRAL CURE**  
ALL DIMENSIONS IN "mm" UNLESS OTHERWISE STATED

UPSTAND TO BE CONSTRUCTED TO WITHIN **± 10 mm** ON STRAIGHT & **± 12 mm** ON DIAGONAL DESIGNED SIZES. WEATHERING BY OTHERS.

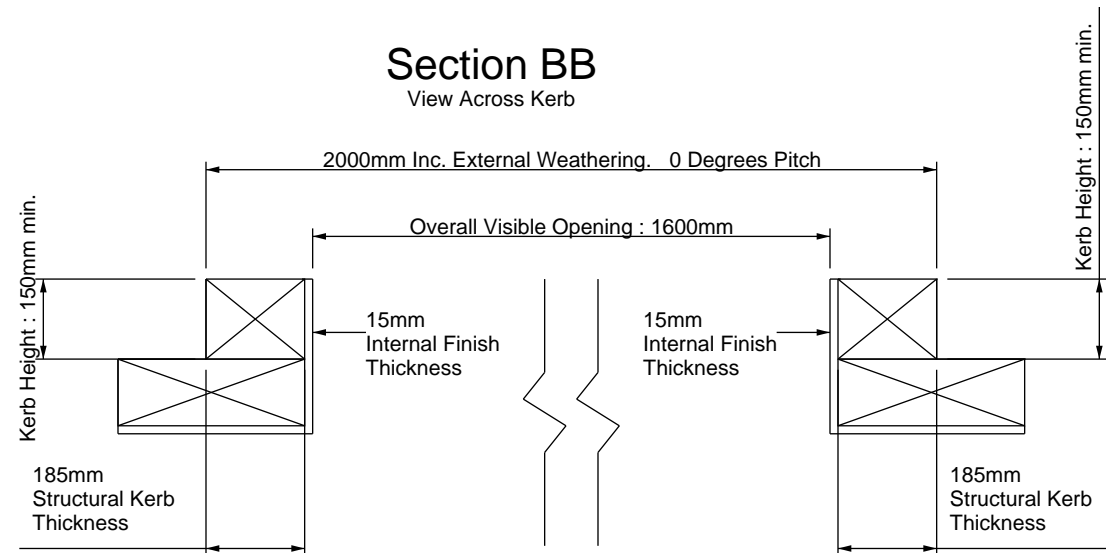
**Section AA**  
View Across Kerb



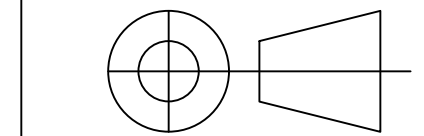
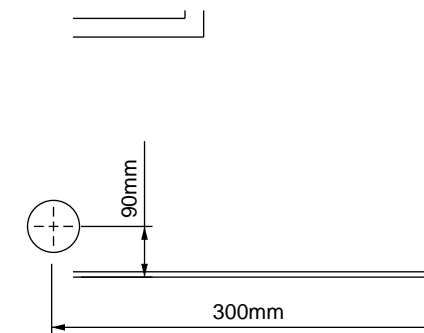
**Kerb Plan**



**Section BB**  
View Across Kerb



**Cable Entry Holes**  
Drill 1 off holes 40dia kerb low side



Third angle projection unless otherwise stated

THIS DRAWING DOES NOT INDICATE ACCURATE DIMENSIONS FOR ANY EXISTING STRUCTURAL COMPONENTS OR PRODUCTS. DO NOT USE THIS DRAWING FOR ANY SITE LAYOUTS.

ESTIMATED WEIGHT	N/A	SCALE	NTS
------------------	-----	-------	-----

REVISION	DESCRIPTION	NAME/DATE
-	Initial release	System 13-04-2021

PROJECT	
DESCRIPTION	CHECKED 1
Skydoor - Skydoor Kerb Drawing	
TITLE	SHEET
K-133852-RL1-01	



**Name:** Skydoor  
**Type:** Electrically operated hinged rooflight

**Description:**

The Skydoor is a thermally efficient opening product designed to allow access from a stairwell to a roof terrace or similar, ideal for placement at the top of a staircase. The product can be opened to nearly 90° for access, or various angles for ventilation as required. Glazing Vision highly recommends that for safety reasons a balustrade is installed (by others) around the Skydoor if it is to be used for access – the lid can be used as a balustrade on one side.

A variety of optional extras including a rain sensor, thermostat, remote control and Building Management System connectivity are available. Proximity detection (safety sensors) is included on every product as standard.

This product is robust and long-lasting, boasting excellent thermal performance, air tightness and reliable operation.

**Intended Use:** Hinged rooflight to be used for regular access, to provide natural daylight, day-to-day ventilation and weather resistance.

**External Weathered Upstand Dimensions:**

Min Span:	1000 mm	Max Span:	2100 mm
Min Width:	1300 mm	Max Width:	3800 mm
Min Upstand Pitch:	3°	Max Upstand Pitch:	10°

*Glazing Vision recommends a pitch of at least 5°.*

Note that the minimum and maximum span, width and pitch are dependent on various factors, your technical sales advisor will be happy to advise on these. Further information on upstand requirements and product dimensions can be found on our website or by contacting your technical sales advisor.

**Glazing:** A wide variety of glazing specifications are available for this product. Your technical sales advisor will be happy to answer any questions regarding specific glass specifications or glazing performance requirements. Otherwise, quotes include suitable and cost effective glazing proposals.

**Standard Colours:** Qualicoat approved RAL 7015 slate grey outer, RAL 9010 pure white inner.

**Control, Power and Drive:** The product is operated using a supplied wall mounted switch connected to a control box mounted inside the product framework via a flying lead.

Also supplied is an externally housed Power Supply Unit requiring connection to an electrical mains supply. It is recommended that this is housed somewhere accessible.

The unit is driven by two folding arm actuators, paired using encoder feedback and, in the event of power failure, can be manually overridden.

## Performance and Weathertightness:

The product comprises thermally broken aluminium sections consisting of polyamide thermal breaks and closed cell PIR insulation thermally isolating the inner and outer frame sections. Structural integrity is assured through the use of finite element analysis (FEA) and testing. U-values are calculated for each product and will be supplied in our quote. Further information and specific performance details can be obtained from your technical sales advisor.

The product is sealed to the upstand using silicone and fixed in place with structural fixings which are concealed by a clip-on cover leaving a sleek external finish. Sealing between the base frame and the lid frame is achieved using silicone bubble seals.

The product has been thoroughly tested and has achieved the following classification results:

Size: 1314 mm span x 3488 mm width Pitch: 3°

Test	Standard	Classification/Declared Value
Air permeability	EN 12207	Class 4 ±600 Pa
Watertightness	EN 12208	Class 9A 600 Pa
Wind resistance	EN 12210	Class 4C +2400 Pa, -1600 Pa Serviceability +3600 Pa, -2400 Pa Safety

## Security:

This product is designed with security as a priority. The mechanisms cannot be back driven and cannot be tampered with from the outside.

This product is tested to LPS2081 Issue 1:2015. It is approved by the Loss Prevention Certification Board (Cert/LPCB ref: 1347a) and Secured by Design:

### Secure (Security Rating A)

The inner pane must be at least 8.8 mm PVB laminated glass (two 4 mm thick panes separated by an 0.8 mm thick PVB interlayer).

### Secure+ (Security Rating B)

The inner pane must be at least 9.5 mm ionomer laminated glass (two 4 mm thick panes separated by a 1.5 mm thick ionomer interlayer).

## Optional Extras:

The following optional extras are available for this standard product at additional cost:

<b>Easy Clean Coating:</b>	A coating applied to the external face of the glass that facilitates water run-off. Helps the glass stay cleaner for longer and makes cleaning easier.
<b>Special Colour(s):</b>	This product has separate inner and outer colours as standard. Each can be swapped for a special colour.
<b>Remote Control:</b>	Allows the product to be opened and closed from a short range.
<b>Rain Sensor:</b>	Automatically closes the product when moisture is detected.
<b>Rain Sensor Isolator:</b>	An internally mounted wall switch that allows the rain sensor to be turned off so that it does not automatically close the product when moisture is detected.
<b>Thermostat:</b>	Automatically operates the product to regulate the temperature within the building.
<b>Keypad or Key Switch:</b>	Offers secure access either via an externally mounted four-digit numerical pass code keypad or a key switch.
<b>Battery Backup:</b>	Allows full operation of the product for a limited period in the event of a power failure.
<b>BMS Connectivity:</b>	Allows the product to be operated by contact closure of a third-party Building Management System.
<b>Upstand Top Trim:</b>	Cover designed to mask the top of upstands which may be visible through glass when viewed from above. Includes detail to recess standard plasterboard.

A suite of sales drawings is available.

Bespoke options may be available upon request but may incur additional design fees – contact your technical sales advisor for more information.

---

**GLAZINGVISION**



[www.glazingvision.co.uk](http://www.glazingvision.co.uk)



+44 (0)1379 658300



[technicalsales@glazingvision.co.uk](mailto:technicalsales@glazingvision.co.uk)