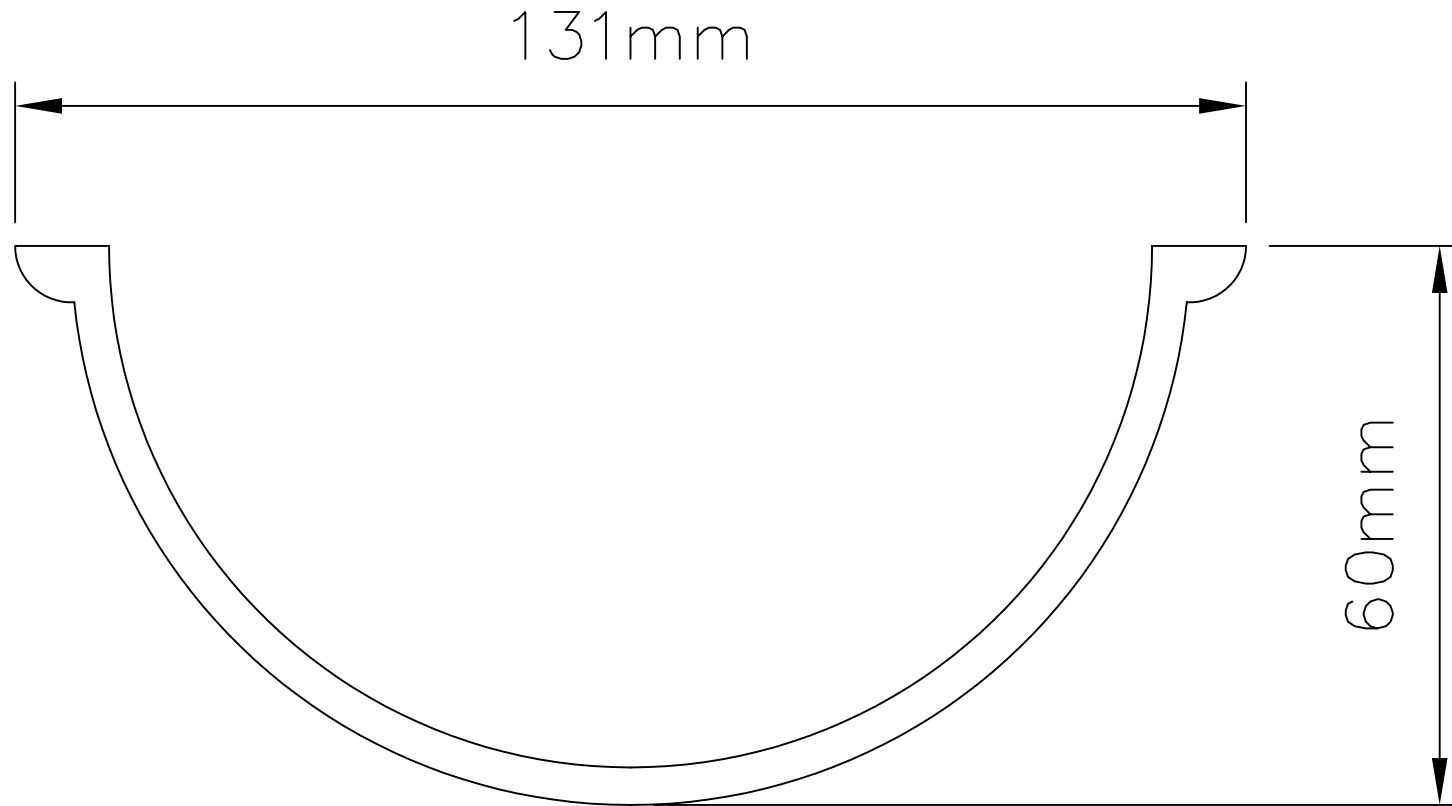


Note: This drawing is intended to illustrate the correct application of Alumasc products only. All other elements are shown indicatively and it is not the intention to detail building construction.

File: BG45



ALUMASC EXTERIOR BUILDING PRODUCTS LTD  
White House Works, Bold Road, Sutton  
St Helens, Merseyside, WA9 4JG, UK  
Telephone: +44 (0)1744 648400  
Facsimile: +44 (0)1744 648401  
Website: [www.alumasc-exteriors.co.uk](http://www.alumasc-exteriors.co.uk)  
E-mail: [technical@alumasc-exteriors.co.uk](mailto:technical@alumasc-exteriors.co.uk)

Drawing title:

APEX HERITAGE CAST IRON  
BEADED HALF ROUND GUTTER TYPE BG45

Detail is valid only when approved by the Architect / Contractor concerned

Drawing No:  
BG45

Scale:  
NTS

Revision:

Date:  
07.04.06

© Copyright reserved