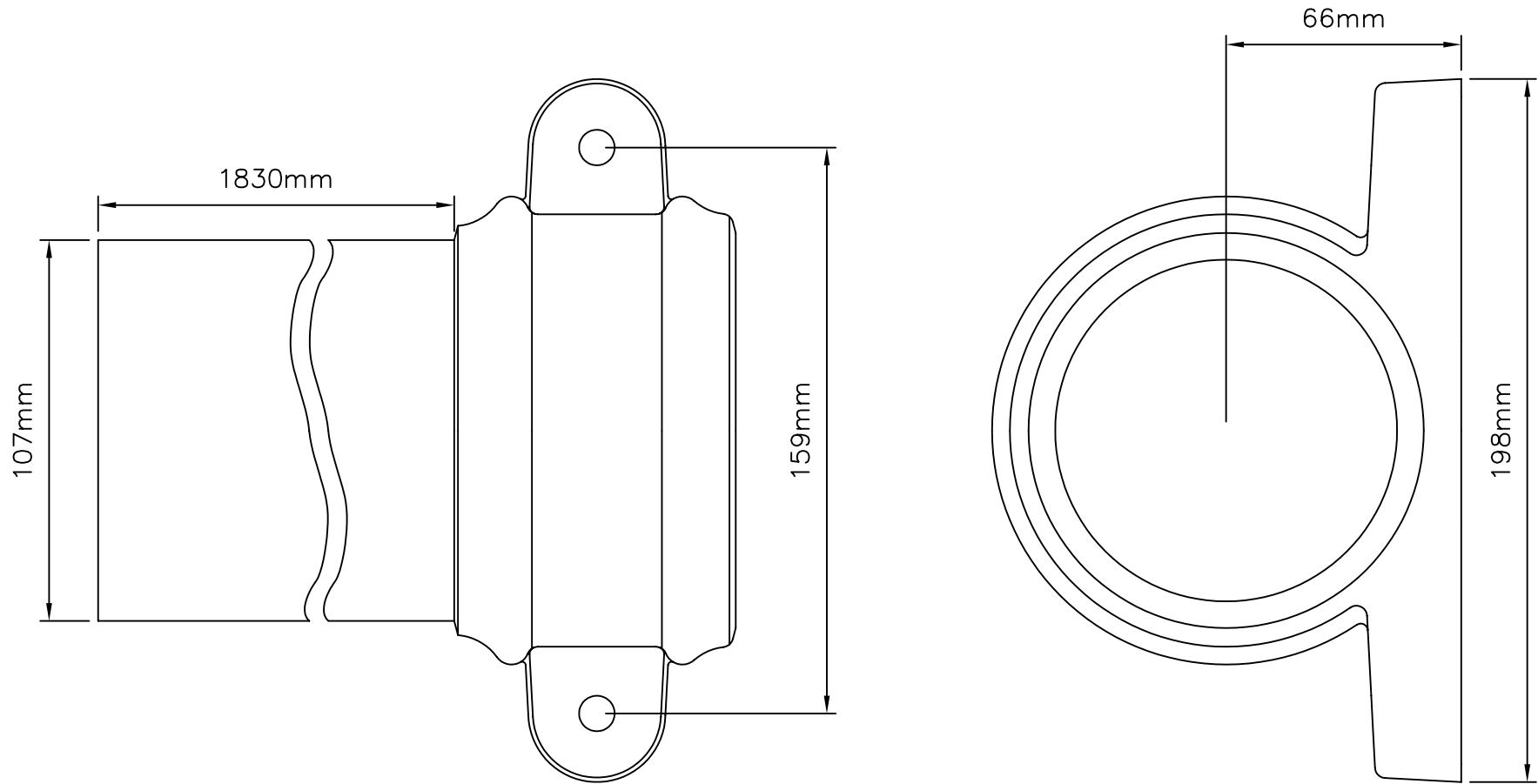


Note: This drawing is intended to illustrate the correct application of Alumasc products only. All other elements are shown indicatively and it is not the intention to detail building construction.

File: P40



ALUMASC EXTERIOR BUILDING PRODUCTS LTD
 White House Works, Bold Road, Sutton
 St Helens, Merseyside, WA9 4JG, UK
 Telephone: +44 (0)1744 648400
 Facsimile: +44 (0)1744 648401
 Website: www.alumasc-exterior.co.uk
 E-mail: technical@alumasc-exterior.co.uk

Drawing title: APEX HERITAGE CAST IRON CIRCULAR PIPE Detail is valid only when approved by the Architect / Contractor concerned	
Drawing No: P40	Scale: NTS
Revision:	Date: 07.04.06

© Copyright reserved