

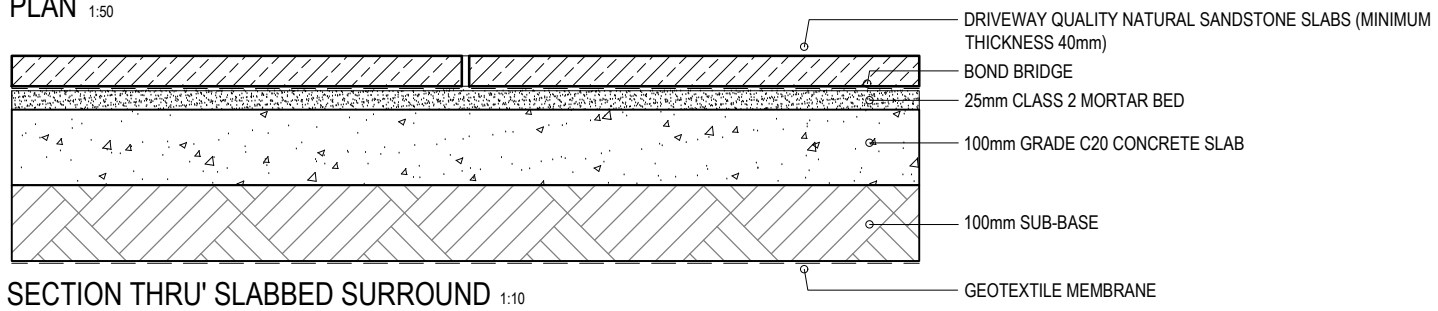
200 x 50mm NATURAL SANDSTONE
KERB SET ON 300 X 100mm
FOUNDATION WITH MORTAR
HAUNCHING TO BOTH SIDES.
KERB TO RETAIN CHIPS.

EXISTING RED CHIPS RE-USED
WITHIN SPACE

SLABBED SURROUNDS AS
SECTION BELOW. SLABS TO BE
POINTED WITH CLASS 2 MORTAR
(WITH SBR ADDITIVE FOR
ADDITIONAL STRENGTH)

PAVED LINK TO
ENTRANCE

PLAN 1:50



DRIVEWAY QUALITY NATURAL SANDSTONE SLABS (MINIMUM
THICKNESS 40mm)
BOND BRIDGE
25mm CLASS 2 MORTAR BED
100mm GRADE C20 CONCRETE SLAB
100mm SUB-BASE
GEOTEXTILE MEMBRANE

SECTION THRU' SLABBED SURROUND 1:10

ALL DIMENSIONS IN MILLIMETRES
FIGURED DIMENSIONS ONLY TO BE USED FROM
THIS DRAWING ONLY UNLESS STATED OTHERWISE
READ IN CONJUNCTION WITH ENGINEERS
DRAWINGS AND SPECIFICATION
ALL SIZES TO BE CHECKED ON SITE
BY CONTRACTOR PRIOR TO ORDERING MATERIALS
THIS DRAWING IS COPYRIGHT

WARRANT

REVISION	DESCRIPTION	DATE
A	UPDATED TO CLIENT REQUIREMENTS	21.08.23

REFER TO DRAWING 2222/W07 FOR LOCATION OF BAYS

STEWART ASSOCIATES
Architects & Development Consultants

23 BATH STREET
LARGS
AYRSHIRE
tel : 01475 670033
fax : 01475 673103



email: info@stewart-associates.com

TITLE **BLAIR CASTLE, DALRY**

CLIENT **THE HUNTER FOUNDATION**

DRAWING **DISABLED PARKING BAY**

SCALE 1:10/1:50@A4 DATE 06/23

DRAWN AHK CHECKED BAS

NUMBER **2222/D03A**