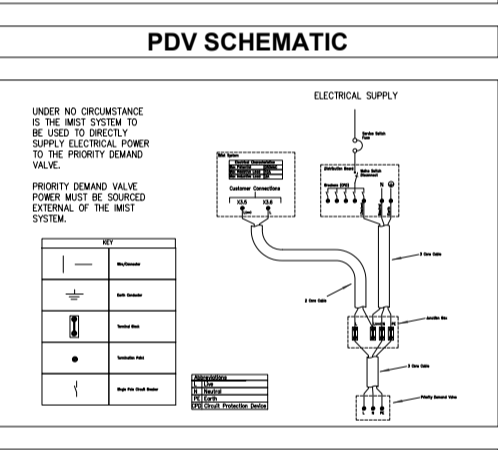
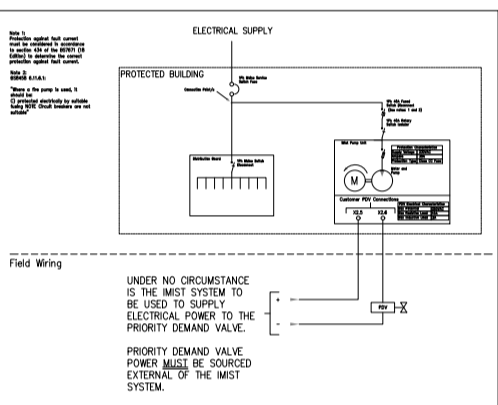
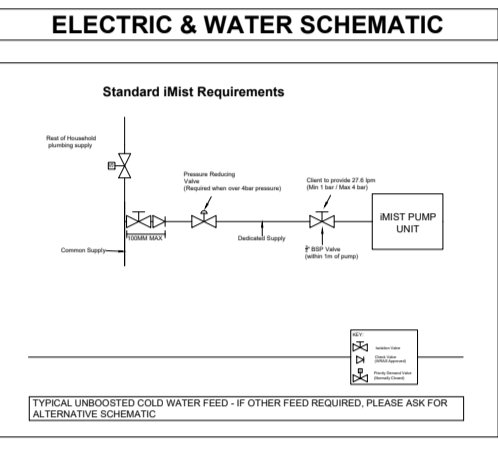
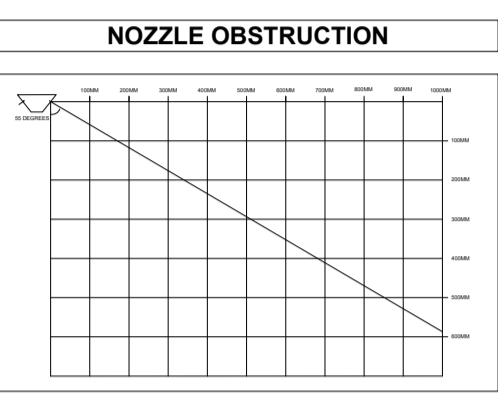


IMIST KEY	
	68°C NOZZLE
	PUMP UNIT
	LUMP PLUG-IN FITTING
	STAINLESS NOZZLE
	T PIECE
	HIGH CEILING HEIGHT
	PIPEWORK
	RISER
	ZONE INDICATOR
	IMPORTANT INFORMATION

PIPEWORK FIXING	
	WOOD SCREW M10 x 40mm
	CONCRETE SCREW M10 x 40mm WALL PLUG 50MM
	PLASTERBOARD SCREW M10 x 40mm HEAVY DUTY WALL PLUG 50MM



PRODUCTS FOR FULL PROJECT	
ITEM	QUANTITY
STN12	17
STX12	1
RISER(S)	2 - m.
IZONE(S)	2
0.2M HOSE	
0.5M HOSE	
1M HOSE	
1.5M HOSE	
2M HOSE	
3M HOSE	
4M HOSE	
5M HOSE	17
COUPLING - T	19
COUPLING - MM	4
COUPLING - FIF	3
COUPLING - END CAP	18
COUPLING - ELBOW	17
P CLIP(S)	255

STN12	17
RISER(S)	2
IZONE(S)	2
0.2M HOSE	
0.5M HOSE	
1M HOSE	
1.5M HOSE	
2M HOSE	
3M HOSE	
4M HOSE	
5M HOSE	17
COUPLING - T	19
COUPLING - MM	4
COUPLING - FIF	3
COUPLING - END CAP	17
COUPLING - ELBOW	17
P CLIP(S)	255

PRODUCTS ON THIS PAGE ONLY

DESIGN SPECIFICATION	BS8458:2015
HAZARD CLASS	RESIDENTIAL
DISCHARGE RATE	24 LITRES PER MINUTE
NOZZLE DROP	27MM
WATER SUPPLY	MAINS FED PUMP UNIT

iMIST LTD DESIGN DECLARATION OF CONFORMITY

iMIST LTD CONFIRM THAT THE WATERMIST SYSTEM DESIGN / INSTALLATION WITHIN THE PROTECTED AREA(S) ONLY AND ALL MANUFACTURED WATERMIST EQUIPMENT AND APPLICABLE TO POSITIVE DISPLACEMENT PUMPS ARE IN ACCORDANCE WITH BS 8458: 2015 REQUIREMENTS.

NOTES:

PUMP LOCATION TO BE SPECIFIED AT SITE VISIT.

DESIGN PRODUCED IN LINE WITH THE iMIST LTD "DESIGN AND INSTALLATION MANUAL" (QA1 ISSUE 2).

ANY EXTRA NOZZLES OR LOSS OF NOZZLES WILL NEED TO BE APPROVED BY THE AHJ (AUTHORITY HAVING JURISDICTION).

PRESSURE AT NOZZLE (STANDING): TOWNS MAINS PRESSURE.

iMIST ONLY REQUIRE NATURAL VENTILATION PROVIDED BY WINDOWS AND DOORS INSTALLED.

ALL PIPE TO BE PTFE06 3/8" SMOOTH BORE STAINLESS STEEL FLEXIBLE HOSE.

ALL EXPOSED PIPING TO BE STAINLESS STEEL.

EXACT NOZZLE LOCATIONS ARE SUBJECT TO CHANGE ON SITE INSTALL/REVIEW CONDITIONS AND COULD BE INSTALLED WITHIN 300MM OF DESIGNED LOCATION UNLESS HIGHLIGHTED OTHERWISE.

TO THE INSTALLER:

WET PIPE SYSTEM

SYSTEM TO BE PRESSURE TESTED AS SOON AS POSSIBLE AFTER 1ST FIX COMPLETION

NOZZLES MUST BE INSTALLED AS SHOWN

NOZZLE SHOULD BE POSITIONED IN ACCORDANCE WITH OBSTRUCTION GRAPH TO AVOID IMPACT ON DISCHARGE

P CLIPS TO BE INSTALLED NOMINAL 300MM SUBJECT TO SITE CONDITIONS.

ALL NOZZLES TO BE INSTALLED OFF TEE BRANCH

TO THE CLIENT:

IF REQUIRED, PIPE IDENTIFICATION TO BS 1710 REQUIREMENTS MUST BE PROVIDED BY OTHERS. BS 1710 IDENTIFICATION CAN BE PROVIDED BY iMIST AT ADDITIONAL COST.

iMIST LTD DO NOT ACCEPT AND RESPONSIBILITY FOR DAMAGE CAUSED BY FROST OR FREEZING TEMPERATURES.

NOTE: IT IS THE CLIENT'S RESPONSIBILITY TO TAKE CORRECT PRECAUTIONS TO PREVENT WATER IN THE PIPEWORK/EQUIPMENT FROM FREEZING DUE TO COLD WEATHER.

IT IS THE CLIENT'S RESPONSIBILITY TO INFORM iMIST LTD OF ANY AREAS WHERE THE AMBIENT TEMPERATURE WILL EXCEED 38°C.

NOTE: PER BS 8458:2015, FOR NORMAL CONDITIONS IN THE UNITED KINGDOM THE WATERMIST NOZZLE TEMPERATURE RATINGS ARE BETWEEN 57°C AND 68°C.

PIPES, SCAFFOLDING OR ANY OTHER ITEMS OF PLANT MATERIALS MUST NOT AT ANY TIME BE ATTACHED TO OR SUPPORTED FROM ANY PART OF THE FIRE PROTECTION EQUIPMENT, CONTROLS, NOZZLES ETC.

MINIMUM 1 BAR, MAXIMUM 4 BAR INCOMING PRESSURE TO PUMP OTHERWISE PRESSURE RELIEF VALVE TO BE INSTALLED

NOZZLES MUST NOT BE PAINTED.

THIS DRAWING SHOULD BE FULLY CO-ORDINATED WITH ALL OTHER SERVICES AND CONSTRUCTION DRAWINGS INVOLVED IN THIS PROJECT. iMIST LTD SHOULD BE NOTIFIED OF ANY CLASHES WITHIN 7 DAYS OF ISSUE.

ANY SITE ALTERATIONS REQUIRED AS A RESULT OF LATE CO-ORDINATION OR INFORMATION WILL BE CHARGEABLE.

THE SQUARE METER IS APPROXIMATE AND IT IS THE CUSTOMERS RESPONSIBILITY TO INFORM iMIST IF THEY HAVE UNDERESTIMATED ROOM BUILDING SIZES.

SLEEVES / FIRE STOPPING TO BE INSTALLED BY OTHERS.

CLIENT TO UNDERTAKE 25MM HOLES THROUGH BEAMS, STRUCTURAL ELEMENTS OR OBSTRUCTIONS.

ALSO TO CUT 76MM HOLE FOR NOZZLE LOCATION.

CLIENT TO PROVIDE SUITABLE DRAIN OUTLET AT THE PUMP LOCATION FOR TESTING/SERVICING.

CLIENT TO INSTALL INTERCONNECTING CABLES FROM ALL FLOW SWITCHES AND PUMP RUNNING TERMINAL, TO MAIN FIRE ALARM PANEL TO INITIATE SITE WIDE GENERAL ALARM.

PLEASE SEE WORKS IN ASSOCIATION SECTION OF YOUR QUOTATION FOR ELECTRICAL AND MECHANICAL REQUIREMENTS OF THE iMIST SYSTEM PRIOR TO INSTALLATION.

REV	DESCRIPTION	DATE	DRAWN	CHECKED
0	FOR APPROVAL	13/02/2023	CS	-

ISSUED FOR
CUSTOMER APPROVAL / AHJ APPROVAL / CONSTRUCTION / COMPLETION

PROJECT ADDRESS
**Blair House
Dalry
Ayrshire
KA24 4ER**

SCOPE OF WORKS	TITLE
1 RESIDENTIAL PUMP(S) & 17 NOZZLES	WATERMIST LAYOUT
PROJECT NUMBER Q23-14365	REV NO. 0



REGISTERED ADDRESS	CONTACT DETAILS
UNIT 11 PARK ROAD INDUSTRIAL ESTATE SWANLEY BR8 8AH LINCOLN 01406 321001	0207 965 7237 WWW.IMIST.COM SALES@IMIST.COM WALES 02921 175 985 SCOTLAND 01312 125045



This drawing is copyright & may not be copied or reproduced in whole or in part without the prior consent of iMist Ltd. Dimensions must not be scaled from this drawing. All dimensions to be checked on site prior to work or manufacture of any elements taking place. Any discrepancy to be reported to this office.