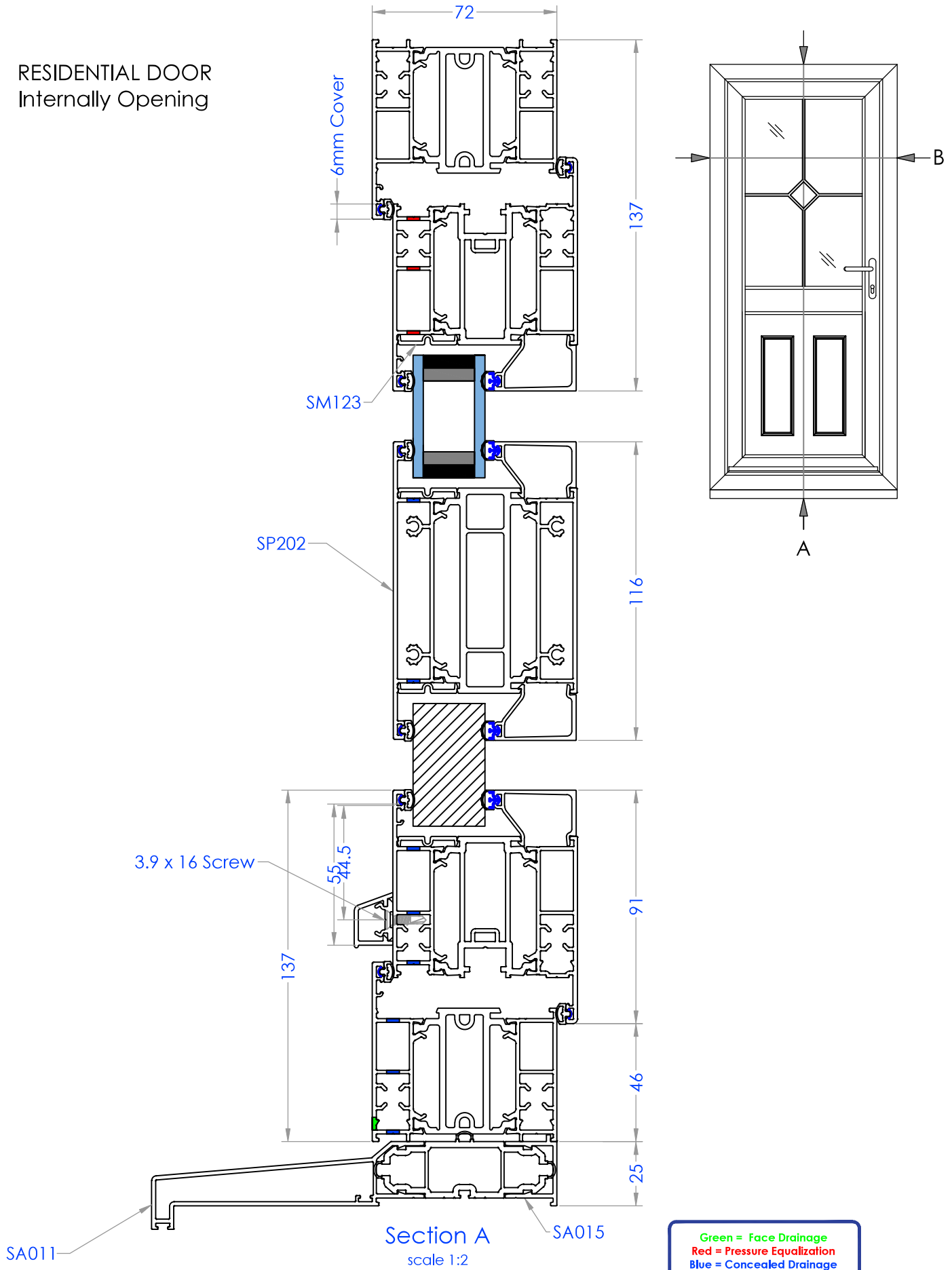


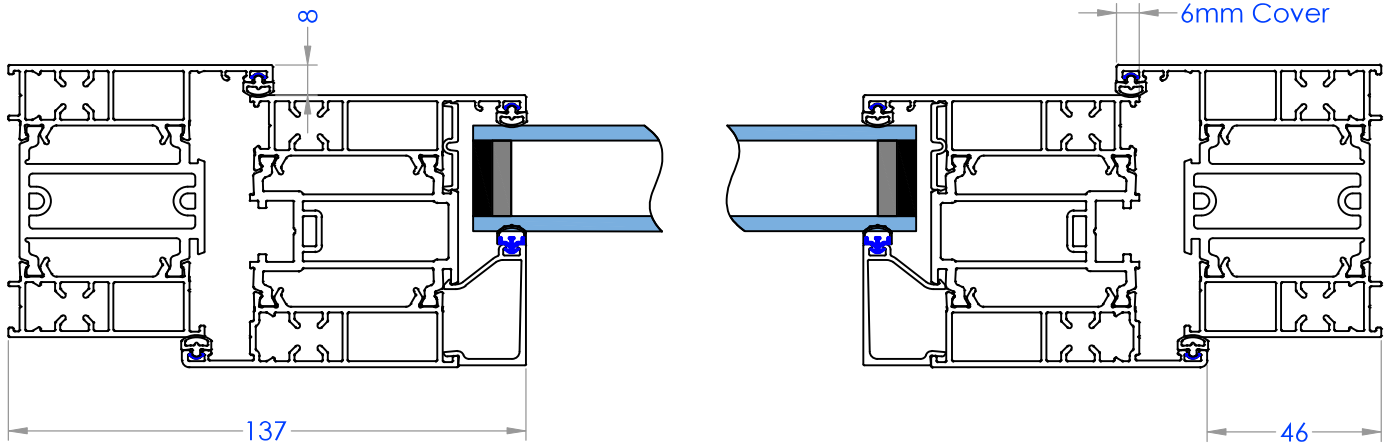
4.0 TYPICAL CROSS SECTIONS

RESIDENTIAL DOOR  
Internally Opening



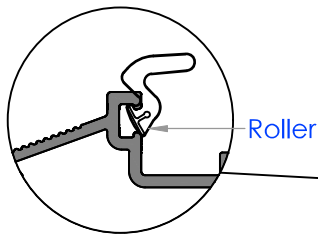
Green = Face Drainage  
Red = Pressure Equalization  
Blue = Concealed Drainage

RESIDENTIAL DOOR  
Internally Opening

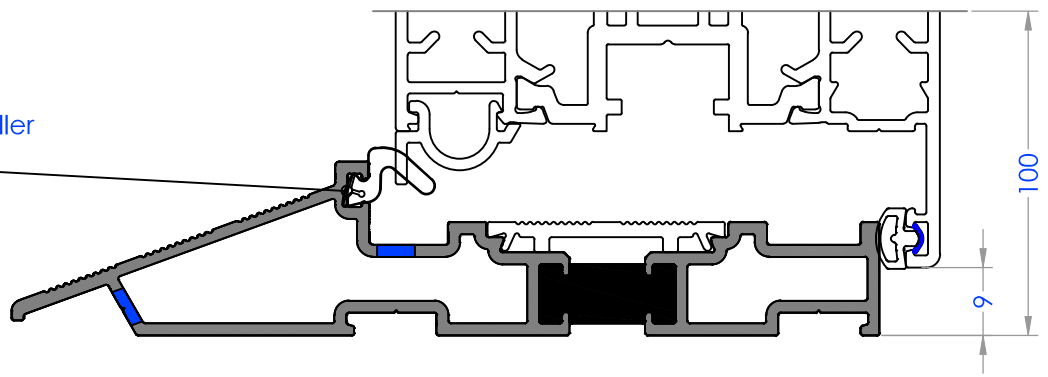


Section B  
scale 1:2

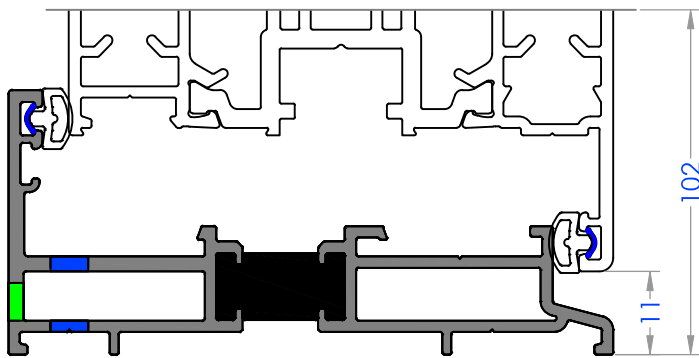
RESIDENTIAL DOOR - THRESHOLD OPTIONS



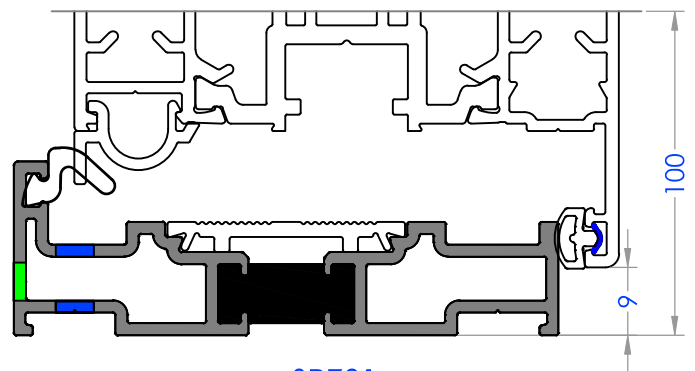
Rotate the top of the Low Threshold Gasket into the top face of the gasket slot as shown above. Use a roller to push the bottom leg of the Low Threshold Gasket into place.



SP700  
Low Threshold with Ramp



SP702  
Frame Low Threshold



SP701  
Low Threshold