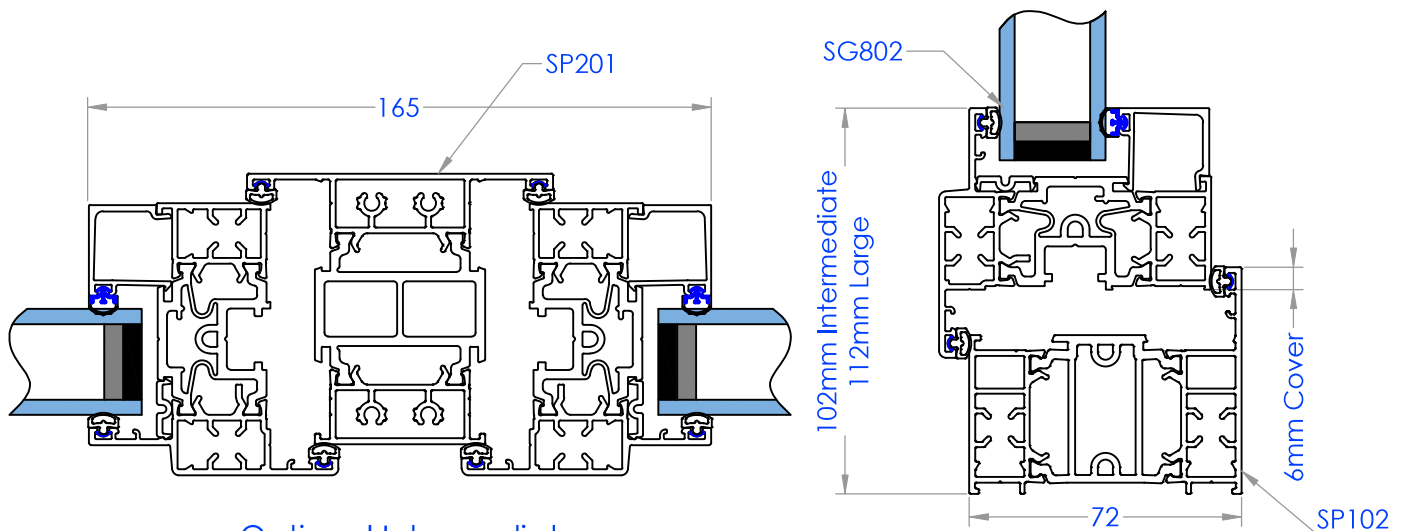
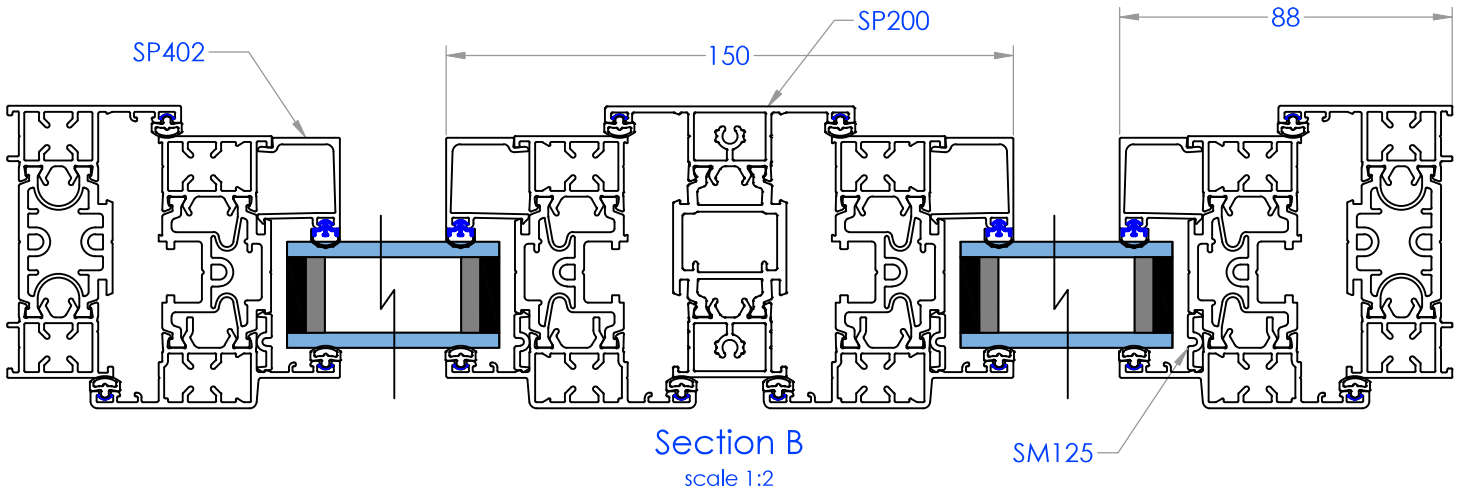
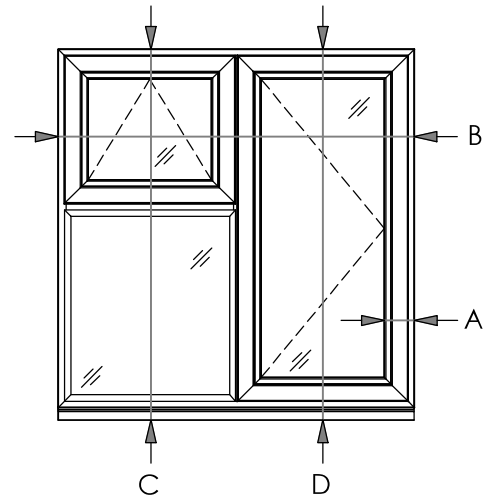
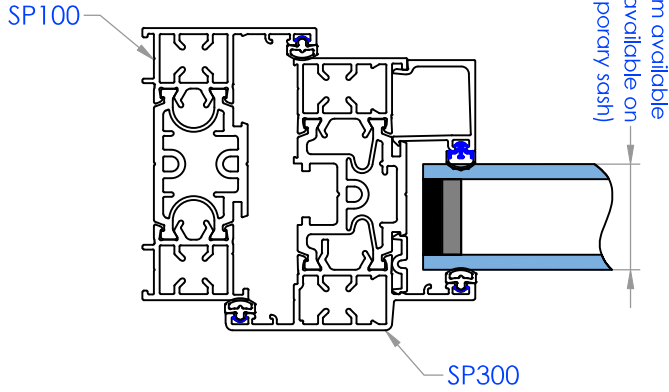


STANDARD CASEMENT WINDOW
Externally Opening

Section A
scale 1:2



Optional Intermediate
Transom/Mullion
scale 1:2

Optional Intermediate
Outerframe
scale 1:2

STANDARD CASEMENT WINDOW
Externally Opening

Green = Face Drainage
Red = Pressure Equalization
Blue = Concealed Drainage

