

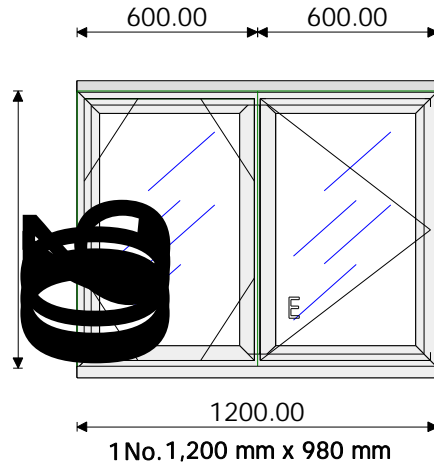
Philip Gomm

Quote Totals

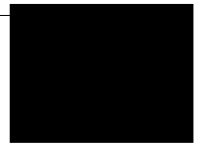
Quote: 101 Item: 1 Bathroom Qty: 1

1

SMARTSWIN  
 ETC819: Outer Frame  
 ETC8250: Vent  
 ETC839: Mullion/Transom  
 ETC457: Cill  
 UN3070: Head Extension



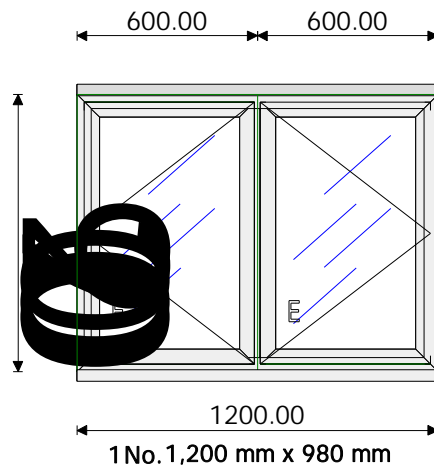
Nett:  
 VAT:  
 Item Cost:



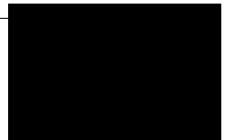
Quote: 101 Item: 2 Bedroom Qty: 1

2

SMARTSWIN  
 ETC819: Outer Frame  
 ETC8250: Vent  
 ETC839: Mullion/Transom  
 ETC457: Cill  
 UN3070: Head Extension



Nett:  
 VAT:  
 Item Cost:



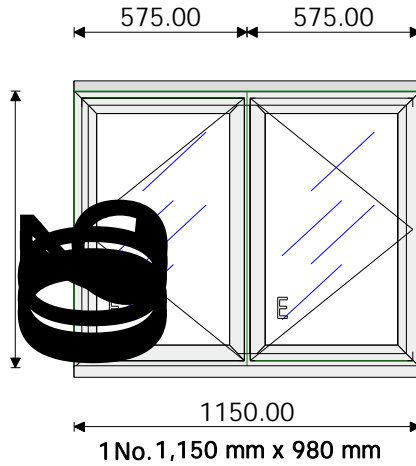
**Philip Gomm**

**Quote Totals**

Quote: 101    Item: 3    Bedroom    Qty: 1

**3**

SMARTSWIN  
 ETC819: Outer Frame  
 ETC8250: Vent  
 ETC839: Mullion/Transom  
 ETC457: Cill  
 UN3070: Head Extension



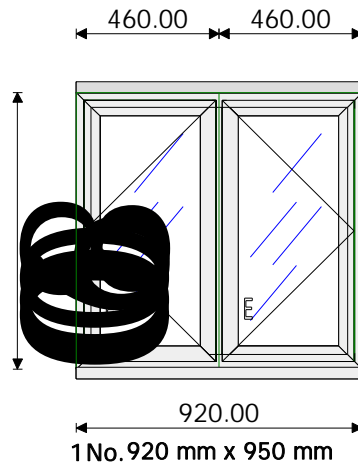
Nett:  
 VAT:  
 Item Cost:



Quote: 101    Item: 4    Bedroom    Qty: 1

**4**

SMARTSWIN  
 ETC819: Outer Frame  
 ETC8250: Vent  
 ETC839: Mullion/Transom  
 ETC457: Cill  
 UN3070: Head Extension



Nett:  
 VAT:  
 Item Cost:



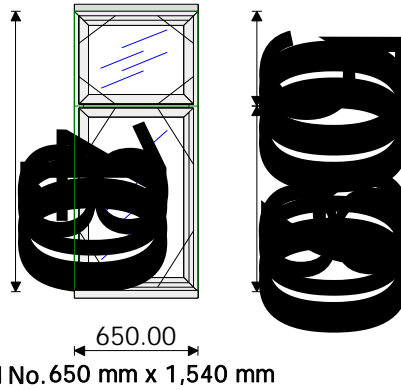
**Philip Gomm**

**Quote Totals**

Quote: 101	Item: 5	Bedroom curved	Qty: 1
------------	---------	----------------	--------

**5**

- SMARTSWIN
- ETC819: Outer Frame
- ETC8250: Vent
- ETC839: Mullion/Transom
- ETC457: Cill
- UN3070: Head Extension



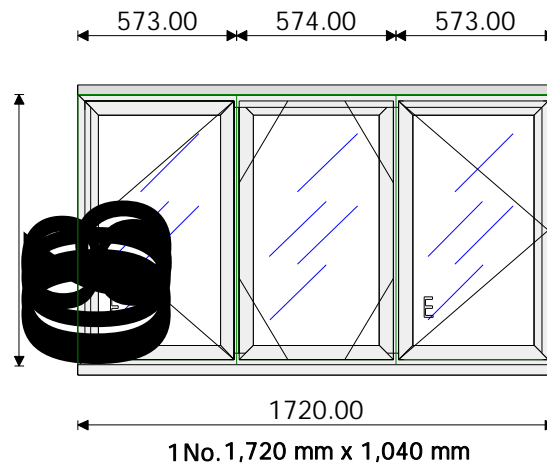
Nett:  
 VAT:  
 Item Cost:



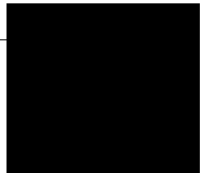
Quote: 101	Item: 6	Bedroom	Qty: 1
------------	---------	---------	--------

**6**

- SMARTSWIN
- ETC819: Outer Frame
- ETC8250: Vent
- ETC839: Mullion/Transom
- ETC457: Cill
- UN3070: Head Extension



Nett:  
 VAT:  
 Item Cost:



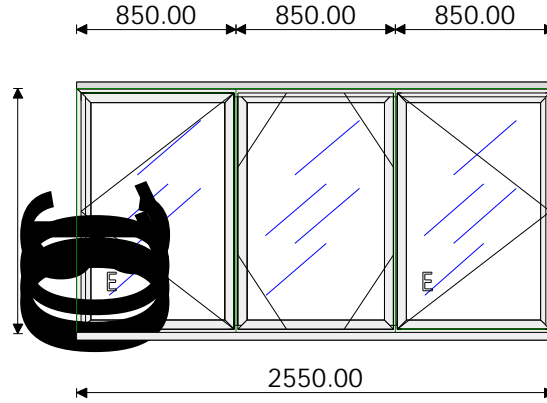
**Philip Gomm**

**Quote Totals**

Quote: 101	Item: 7	Ground Bay	Qty: 1
------------	---------	------------	--------

**7**

SMARTSWIN  
 ETC819: Outer Frame  
 ETC8250: Vent  
 ETC839: Mullion/Transom  
 ETC457: Cill  
 UN3070: Head Extension



1 No. 2,550 mm x 1,370 mm

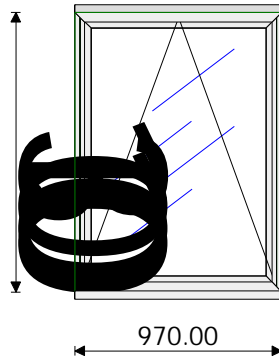
Nett:  
 VAT:  
 Item Cost:



Quote: 101	Item: 8	Ground Bay	Qty: 1
------------	---------	------------	--------

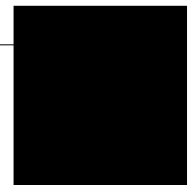
**8**

SMARTSWIN  
 ETC819: Outer Frame  
 ETC8250: Vent  
 ETC839: Mullion/Transom  
 ETC457: Cill  
 UN3070: Head Extension



1 No. 970 mm x 1,370 mm

Nett:  
 VAT:  
 Item Cost:



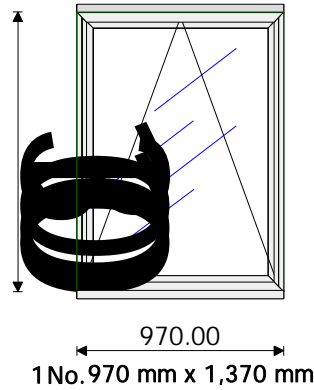
**Philip Gomm**

**Quote Totals**

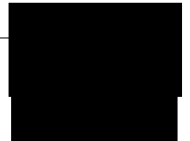
Quote: 101	Item: 9	Ground Bay	Qty: 1
------------	---------	------------	--------

**9**

- SMARTSWIN
- ETC819: Outer Frame
- ETC8250: Vent
- ETC839: Mullion/Transom
- ETC457: Cill
- UN3070: Head Extension



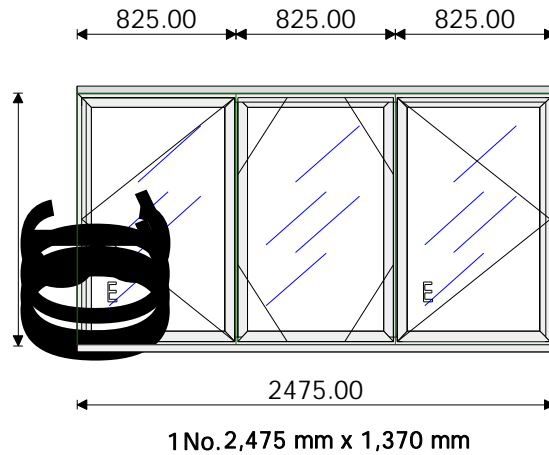
Nett:  
 VAT:  
 Item Cost:



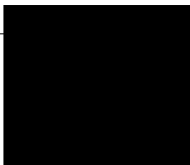
Quote: 101	Item: 10	Ground Bay 2	Qty: 1
------------	----------	--------------	--------

**10**

- SMARTSWIN
- ETC819: Outer Frame
- ETC8250: Vent
- ETC839: Mullion/Transom
- ETC457: Cill
- UN3070: Head Extension



Nett:  
 VAT:  
 Item Cost:



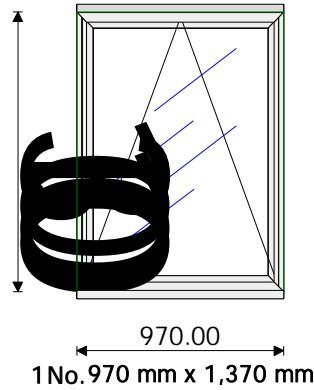
**Philip Gomm**

**Quote Totals**

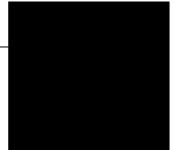
Quote: 101	Item: 11	Ground Bay 2	Qty: 1
------------	----------	--------------	--------

**11**

- SMARTSWIN
- ETC819: Outer Frame
- ETC8250: Vent
- ETC839: Mullion/Transom
- ETC457: Cill
- UN3070: Head Extension



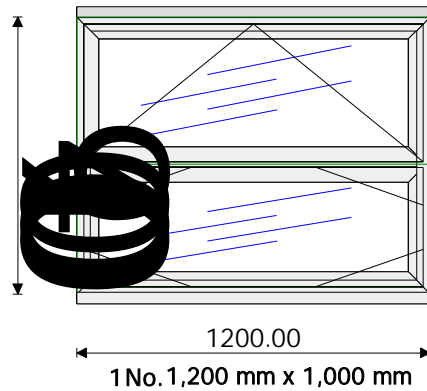
Nett:  
 VAT:  
 Item Cost:



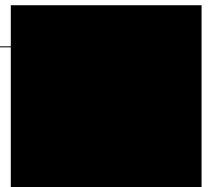
Quote: 101	Item: 12	Kitchen	Qty: 1
------------	----------	---------	--------

**12**

- SMARTSWIN
- ETC819: Outer Frame
- ETC8250: Vent
- ETC839: Mullion/Transom
- ETC457: Cill
- UN3070: Head Extension



Nett:  
 VAT:  
 Item Cost:



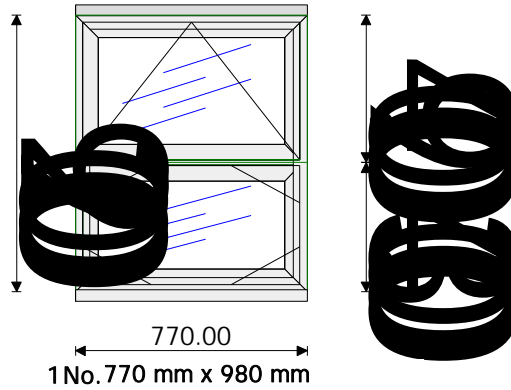
Philip Gomm

Quote Totals

Quote: 101	Item: 13	Kitchen	Qty: 1
------------	----------	---------	--------

# 13

SMARTSWIN  
 ETC819: Outer Frame  
 ETC8250: Vent  
 ETC839: Mullion/Transom  
 ETC457: Cill  
 UN3070: Head Extension



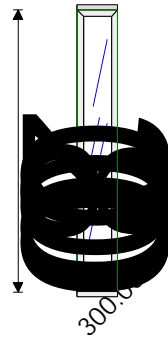
Nett:  
 VAT:  
 Item Cost:



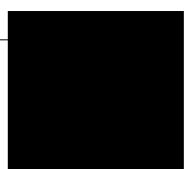
Quote: 101	Item: 14	Kitchen french door side light	Qty: 2
------------	----------	--------------------------------	--------

# 14

SMARTSWIN  
 ETC819: Outer Frame  
 ETC8250: Vent  
 ETC839: Mullion/Transom  
 ETC457: Cill  
 UN3070: Head Extension



Nett:  
 VAT:  
 Item Cost:



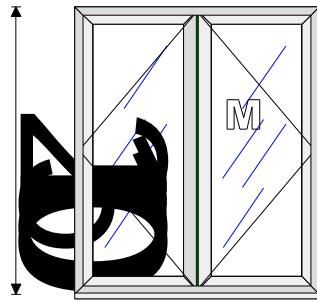
**Philip Gomm**

**Quote Totals**

Quote: 101	Item: 15	Kitchen french	Qty: 1
------------	----------	----------------	--------

**15**

SMARTSDOOR1  
 Alltherm 400 Flush  
 ETD412: Outer Frame  
 ETD412: Threshold  
 ETD4203: Sash  
 None: Mid Rail  
 None: Head Extn  
 ETC457: Cill  
 LiftLever Lock: Lock  
 ACUL260: Hinge



1800.00  
 1 No. 1,800 mm x 2,140 mm

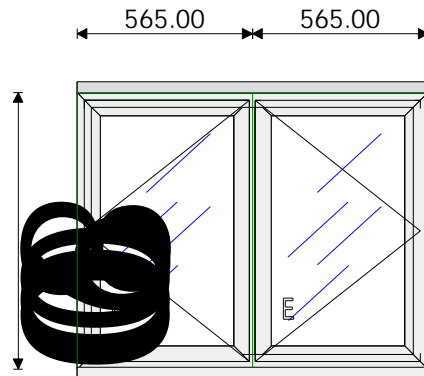
Nett:  
 VAT:  
 Item Cost:



Quote: 101	Item: 16	Utility	Qty: 1
------------	----------	---------	--------

**16**

SMARTSWIN  
 ETC819: Outer Frame  
 ETC8250: Vent  
 ETC839: Mullion/Transom  
 ETC457: Cill  
 UN3070: Head Extension



565.00 565.00  
 1130.00  
 1 No. 1,130 mm x 950 mm

Nett:  
 VAT:  
 Item Cost:





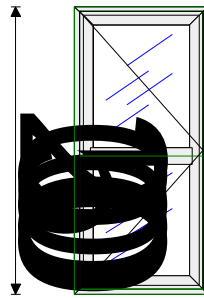
**Philip Gomm**

**Quote Totals**

Quote: 101    Item: 17    Utility door    Qty: 1

**17**

SMARTSDOOR1  
 Alltherm 400 Stepped  
 ETD410: Outer Frame  
 ETD410: Threshold  
 ETD424: Sash  
 ETD430: Mid Rail  
 None: Head Extn  
 None: Cill  
 LiftLever Lock: Lock  
 ACUL250: Hinge



950.00  
 1 No. 950 mm x 2,050 mm

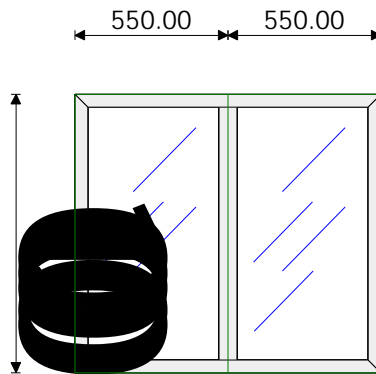
Nett:  
 VAT:  
 Item Cost:



Quote: 101    Item: 18    Garage    Qty: 1

**18**

SMARTSWIN  
 ETC819: Outer Frame  
 ETC8250: Vent  
 ETC839: Mullion/Transom  
 NONE: Cill  
 NONE: Head Extension



550.00    550.00  
 1100.00  
 1 No. 1,100 mm x 1,000 mm

Nett:  
 VAT:  
 Item Cost:



**Quote Summary: 101**

**Quote Summary**

Quote costing includes Extrusion RoundUp

Quote No: 101  
 Version: 1 | 17/05/2023  
 Items: 19 Unit(s)

\* (Grand Total Includes VAT @ 20%)

This is an estimation only, based upon information input.  
 Any details supplied are for information purposes only and do not imply Smart Systems' approval of the proposal.  
 Smart Systems accept no responsibility for the correctness of this information.

Nett  
 VAT:  
 Total :

