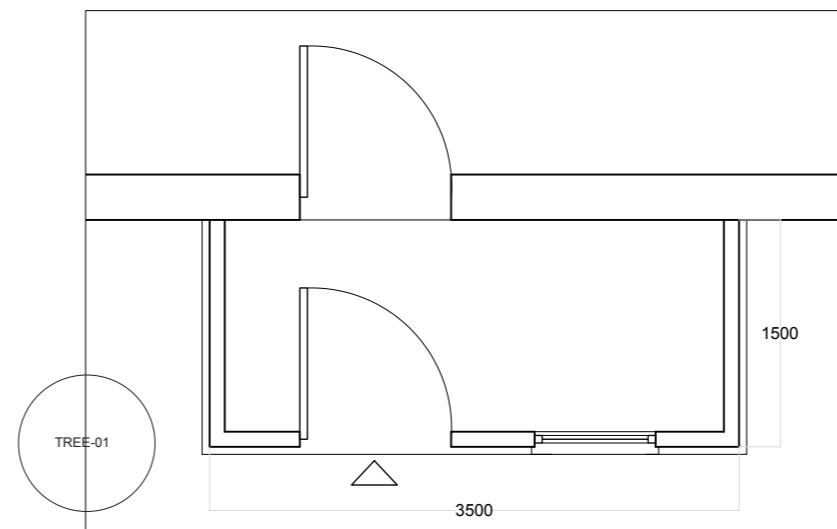




EXISTING FRONT ELEVATION | 1:50



PROPOSED FRONT ELEVATION | 1:50



PROPOSED PLAN OF PORCH | 1:50 → N

Rev	Date	Description	Checked
Project			
Muriel King Close			
Title			
Existing and Proposed Front Elevations and Plan			
Project No.	Scale	Drawing Size	
-	1:50	A3	
Drawing No.			Revision
01			-