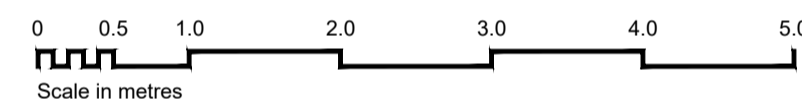
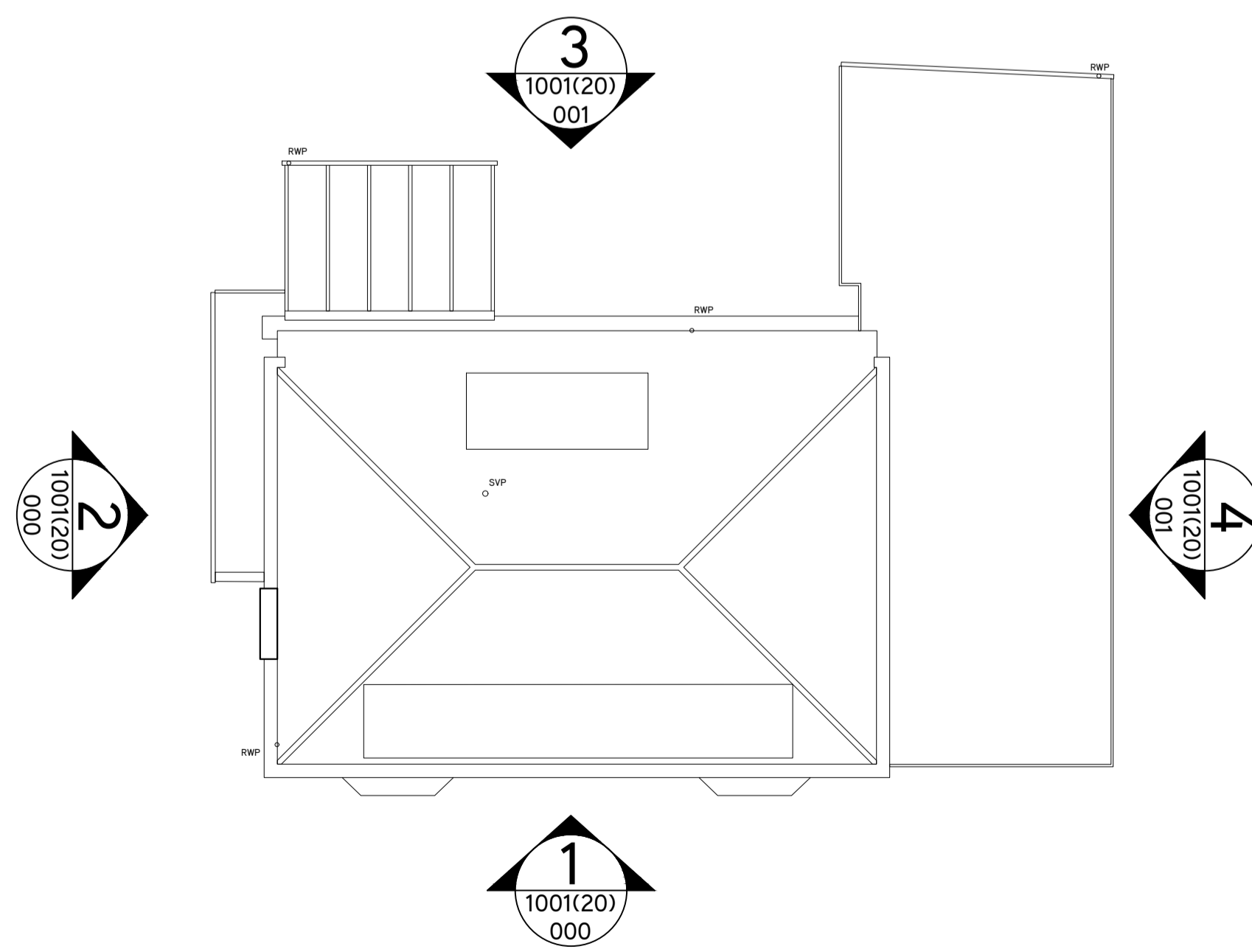
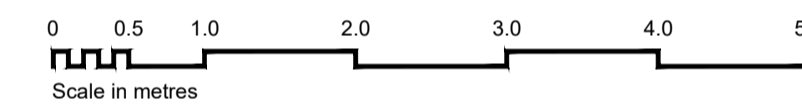




3 Existing Rear (North West) Elevation
Description



4 Existing Side (South West) Elevation
Description



1 Elevation Key Plan
Scale 1:100 at A1



Rev. Date	Notes	Drawn	Checked



4a Erringham Farm, Shoreham by Sea, BN43 5FA
tel. 01273 220407 info@willowarchitects.net

Client:
Mrs Annabel Harman

Project:
1001
9 Chalfont Drive, Hove BN3 6QR

Drawing:
Existing
North West & South West Elevations

Scale	Drawn By	Checked By	Issued For
1:50@A1	GW	MB	Discussion

Drawing No. **1001(30)001** Revision **-**