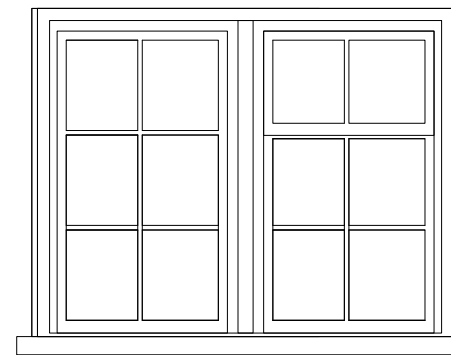
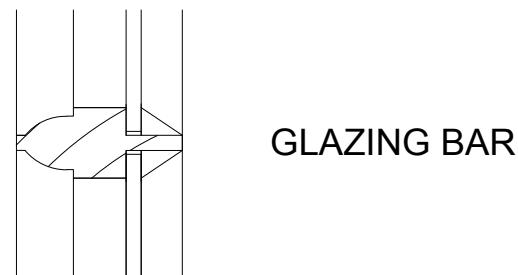


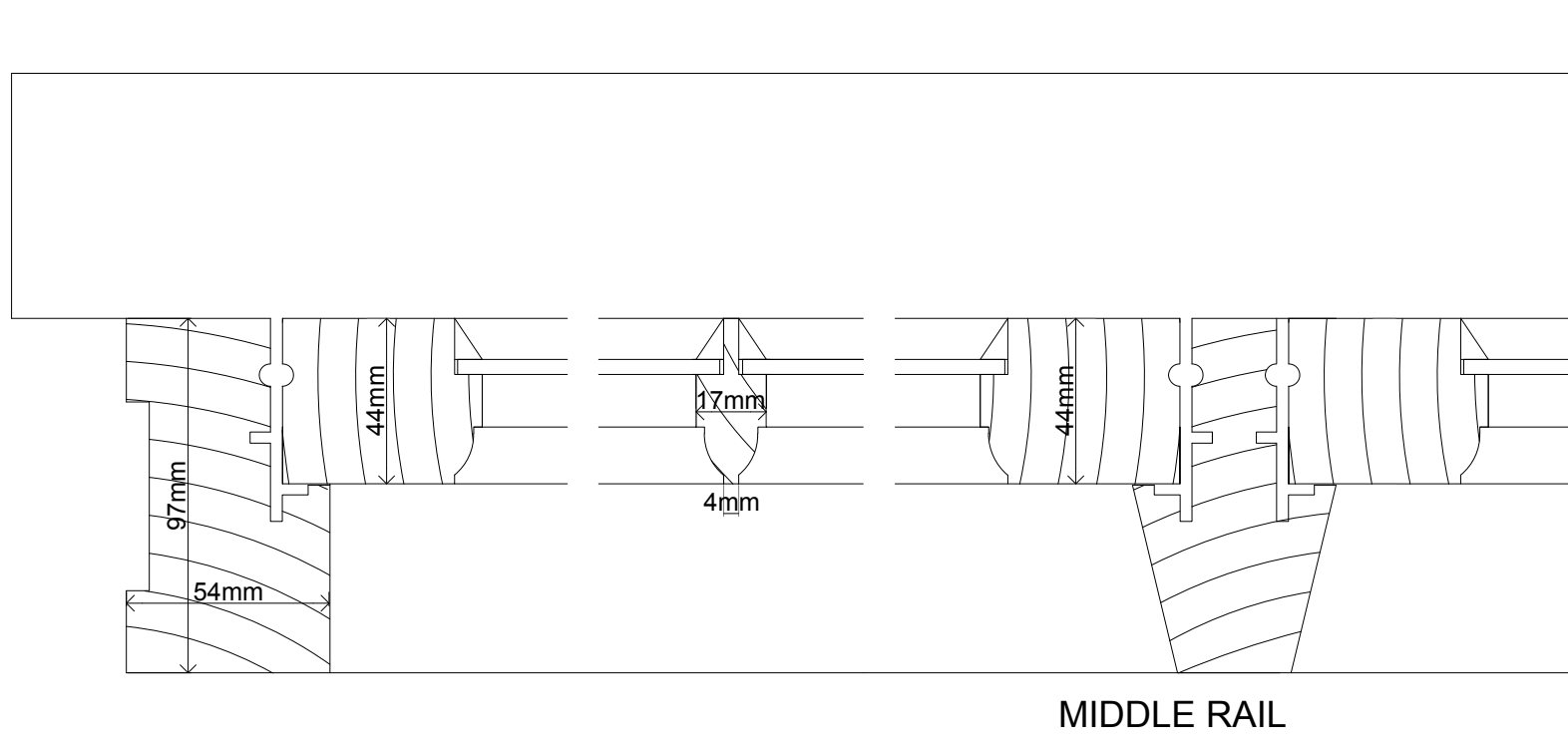
FRAME



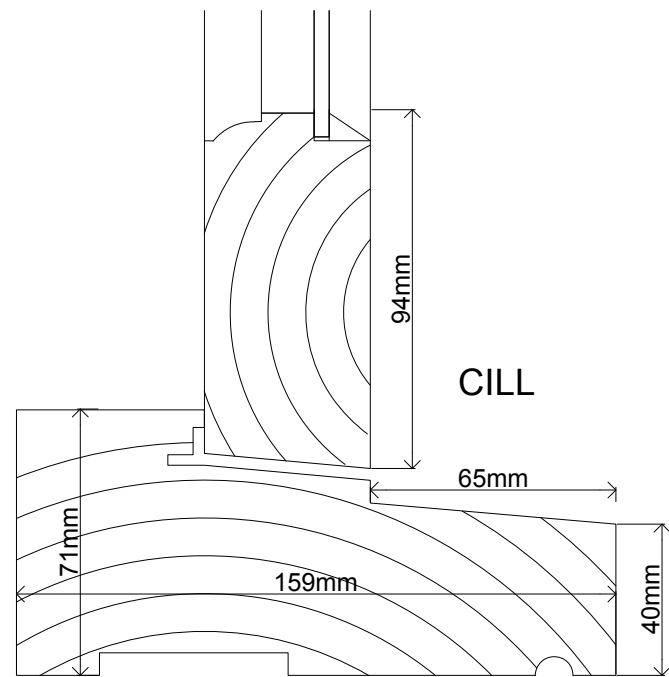
WINDOW ELEVATION



GLAZING BAR



MIDDLE RAIL

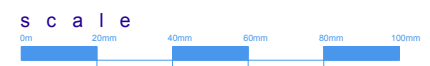


CILL

CILL
VERTICAL SECTION

HORIZONTAL SECTION
White painted finish to window

WINDOW DETAIL
1/2+ 1/25 @A3



01304 619333 0788 7503636
clive@onearch@aol.com
The Old School, Tamarstone, Kent, CT140JL

PROJECT	Proposed Alterations 15 Church Street, St. Mary's Sandwich.
TITLE	WINDOW DETAIL
CLIENT	
SCALE	
DATE	DEC. 2023
DRAWING	08/17.2023
REVISION	N/A

