

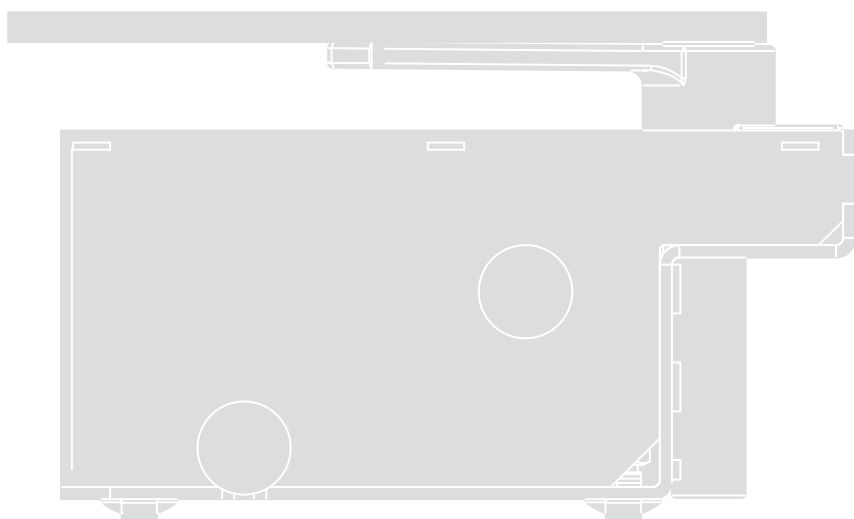
Nice

CE

LFAB4024

LFAB4000

BFAB5024



Swing gate opener

EN - Instructions and warnings for installation and use

IT - Istruzioni ed avvertenze per l'installazione e l'uso

FR - Instructions et avertissements pour l'installation et l'utilisation

ES - Instrucciones y advertencias para la instalación y el uso

DE - Installierungs-und Gebrauchsanleitungen und Hinweise

PL - Instrukcje i ostrzeżenia do instalacji i użytkowania

NL - Aanwijzingen en aanbevelingen voor installatie en gebruik

Nice

1 GENERAL SAFETY WARNINGS AND PRECAUTIONS

GENERAL WARNINGS

- **ATTENTION! - Important safety instructions. Follow all instructions as improper installation may cause serious damage.**
- **ATTENTION! - Important safety instructions. It is important for you to comply with these instructions for your own and other people's safety. Keep these instructions.**
- Before commencing the installation, check the "Technical characteristics" (in this manual), in particular whether this product is suitable for automating your guided part. If it is not suitable, DO NOT continue with the installation.
- The product cannot be used before it has been commissioned as specified in the chapter on "Testing and commissioning".
- **ATTENTION! - According to the most recent European legislation, the implementation of an automation system must comply with the harmonised standards provided by the Machinery Directive in force, which enables declaration of the presumed conformity of the automation. Taking this into account, all operations regarding connection to the electricity grid, as well as product testing, commissioning and maintenance, must be performed exclusively by a qualified and skilled technician!**
- Before proceeding with the installation of the product, check that all the materials are in good working order and suited to the intended applications.
- **ATTENTION! - In order to avoid any danger from inadvertent resetting of the thermal cut-off device, this appliance must not be powered through an external switching device, such as a timer, or connected to a supply that is regularly powered or switched off by the circuit.**
- Provide a disconnection device (not supplied) in the plant's power supply grid, with a contact opening distance permitting complete disconnection under the conditions dictated by overvoltage category III.
- Handle the product with care during installation, taking care to avoid crushing, denting or dropping it, or allowing contact with liquids of any kind. Keep the product away from sources of heat and naked flames. Failure to observe the above can damage the product, and increase the risk of danger or malfunction. Should this happen, stop installation immediately and contact Customer Service.
- The manufacturer assumes no liability for damage to property, items or persons resulting from non-compliance with the assembly instructions. In such cases the warranty for material defects is excluded.
- The weighted sound pressure level of the emission A is lower than 70 dB(A).
- Before working on the system (maintenance, cleaning), always disconnect the product from the mains power supply.
- Check the system periodically, in particular all cables, springs and supports to detect possible imbalances, signs of wear or damage. Do not use, if repairs or adjustments are necessary, since installation failure or an incorrectly balanced automation may cause injury.
- The packing materials of the product must be disposed of in compliance with local regulations.
- When operating a biased-off switch, make sure that other persons are kept away.
- When operating the gate, keep an eye on the automated mechanism and keep all bystanders at a safe distance until the movement has been completed.
- Do not operate the product if anyone is working nearby; disconnect its power supply before permitting such work to be done.
- If the power cable is damaged, it must be replaced by the manufacturer or by an appointed servicing company or similarly qualified person in order to prevent any form of risk.

INSTALLATION WARNINGS

- Prior to installing the drive motor, check that all mechanical components are in good working order and properly balanced, and that the automation moves correctly.
- If the gate or door being automated has a pedestrian gate, then the system must include a control device that will inhibit the operation of the motor when the pedestrian gate is open.
- Make sure that the control devices are kept far from moving parts but nonetheless in a visible position. Unless a selector is used, the control devices must be installed at a height of at least 1.5 m and must not be accessible.
- Ensure that entrapment between the driven part and the surrounding fixed parts due to the opening movement of the driven part is avoided.
- Permanently fix the label concerning the manual release adjacent to its actuating member.
- After installing the drive motor, make sure that the mechanism, protective system and all manual manoeuvres operate properly.

2 DESCRIPTION OF THE PRODUCT AND DESTINATION OF USE

This product is destined to be used to automate gates or doors with hinged panels.

ATTENTION! – Any use different to that described and in environmental conditions different to those stated in this manual must be considered improper and prohibited!

The product is an electro-mechanical gear motor. The gear motor is powered by the external control unit, to which it must be connected.

If the electric energy is interrupted (black-out), the gate panels can be moved by releasing the gear motor using the relevant wrench; to perform the manual manoeuvre, see chapter 8.

The product is available in the version:

- BFAB5024 with encoder, suitable for MC824H control units.
- LFAB4024 with encoder, suitable for MC824H control units.
- LFAB4000 with encoder, suitable for A6F / A60 control units.

ATTENTION! – Do not use gear motors with incompatible control units.

3 INSTALLATION

3.1 - Preliminary checks on installation

Before performing installation, check the integrity of the product components, the adequacy of the model chosen and the suitability of the environment destined for installation.

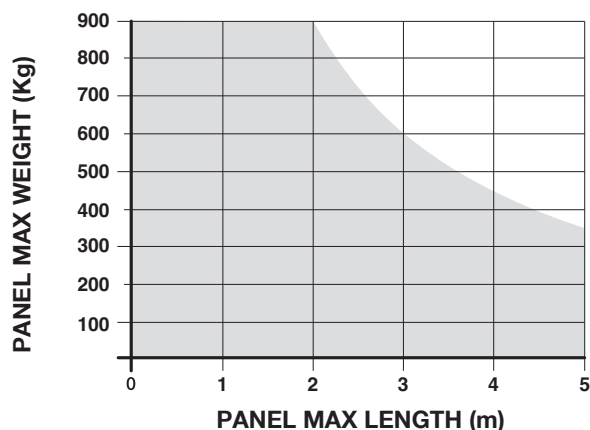
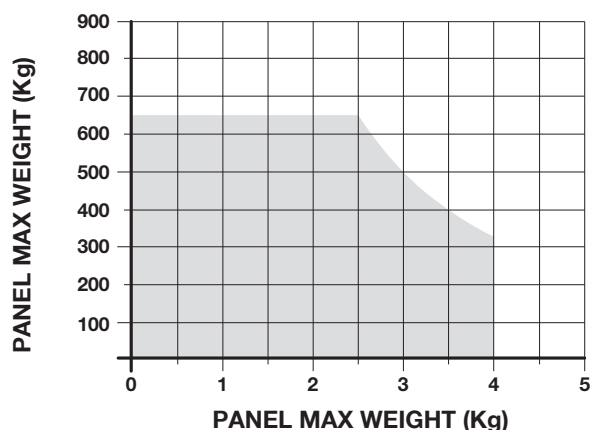
IMPORTANT – The gear motor cannot automate a manual gate that does not have an efficient and safe mechanical structure. Moreover, it cannot solve defects caused by incorrect installation or bad maintenance of the gate itself.

3.2 - Suitability of the gate to automate and the surrounding environment

- Check that the gate mechanical structure is suitable to be automated and complies with the Standards in force on the territory (if necessary, refer to the data given on the gate label).
- Moving the gate panel manually in Opening and in Closure, check that the movement takes place with the same and constant friction in all points of the run (there must not be moments of greater effort).
- Check that the gate panel stays in equilibrium, i.e. that it does not move if taken manually into any position and left.
- Check that the space around the gear motor allows to manually release the gate panels easily and safely.
- Envision end run retainers on the ground both for opening and closure of the gate.
- Check that the gear motor fixing area is compatible with the clearance of the latter (**fig. 1**).

3.3 - Limits of use for the product

Before installing the product, check that the gate panel has dimensions and weight that lie within the limits given in **graph 1**; also evaluate the climatic con-

GRAPH 1 (mod. BFAB5024)**GRAPH 1** (mod. LFAB4024 / LFAB4000)

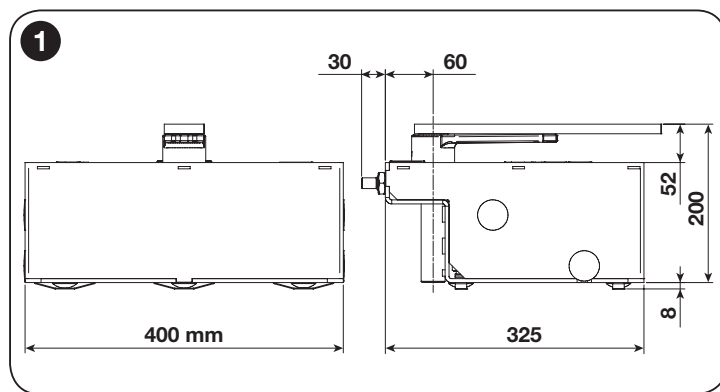
ditions (e.g. strong wind) present in the place of installation. They can greatly reduce the values given in the graph.

3.4 - Set-up for installation

Fig. 2 shows an example of automated plant realised with Nice components. These components are positioned according to the typical and usual layout. With reference to **fig. 2**, establish the approximate position where each component envisioned in the plant will be installed and the most appropriate connection layout.

3.5 - Mounting: Overall Dimensions and Positioning of Foundation Box

- 1 Dig a generously sized foundation pit to house the foundation box (**fig. 3**); prepare a drain pipeline for draining off water and avoid the build-up of water.
- 2 If the gate is equipped with its own mechanical stops (**fig. 2**) skip directly to point 3. Otherwise secure the opening limiter accessory to the box (see paragraph 4).
- 3 Place the box inside the foundation hole; the stud must be aligned with the axis of the hinge (**fig. 3**).
- 4 Provide a duct for the electrical cables and a drainage pipe.
- 5 Bury the foundation box in concrete, making sure it is set level.
- 6 Mount the control bracket on the box's stud along with the ball (**fig. 4**).
- 7 Set the gate leaf on the release lever and weld them securely.
- 8 Grease using a suitable grease nozzle.



3.6 - Installation of LFAB(...) / BFAB(...) Gearmotor

- 1 Remove the nuts and washers shown in the figure on the right (**fig. 5**).
- 2 Place the gearmotor inside the foundation box making sure it faces the correct direction.
- 3 Secure the gearmotor with the previously removed washers and nuts.
- 4 Connect the gearmotor to the gate by means of the connecting lever (2) (**fig. 4**).

4 POSITION OF LIMIT SWITCHES

See **fig. 6**.

5 ELECTRIC CONNECTIONS

Recommendations:

- The gear motor is supplied with an electric power input cable measuring 2 m. Therefore, if a greater distance must be covered to perform the electric connections, a diversion box must be used (not supplied). **IMPORTANT! – It is prohibited to join the electric cable inside the foundation case.**
- **Make the electric connections with the mains power input disconnected.**

To connect the power input cable to the control unit, see the manual regarding the latter and the following indications:

- For **LFAB4024** and **LFAB4000** connect the cables as follows:

WIRE	CONNECTION
Black wire	“Open” phase
Brown wire	“Close” phase
Grey wire	Common
Yellow/Green wire	Earth

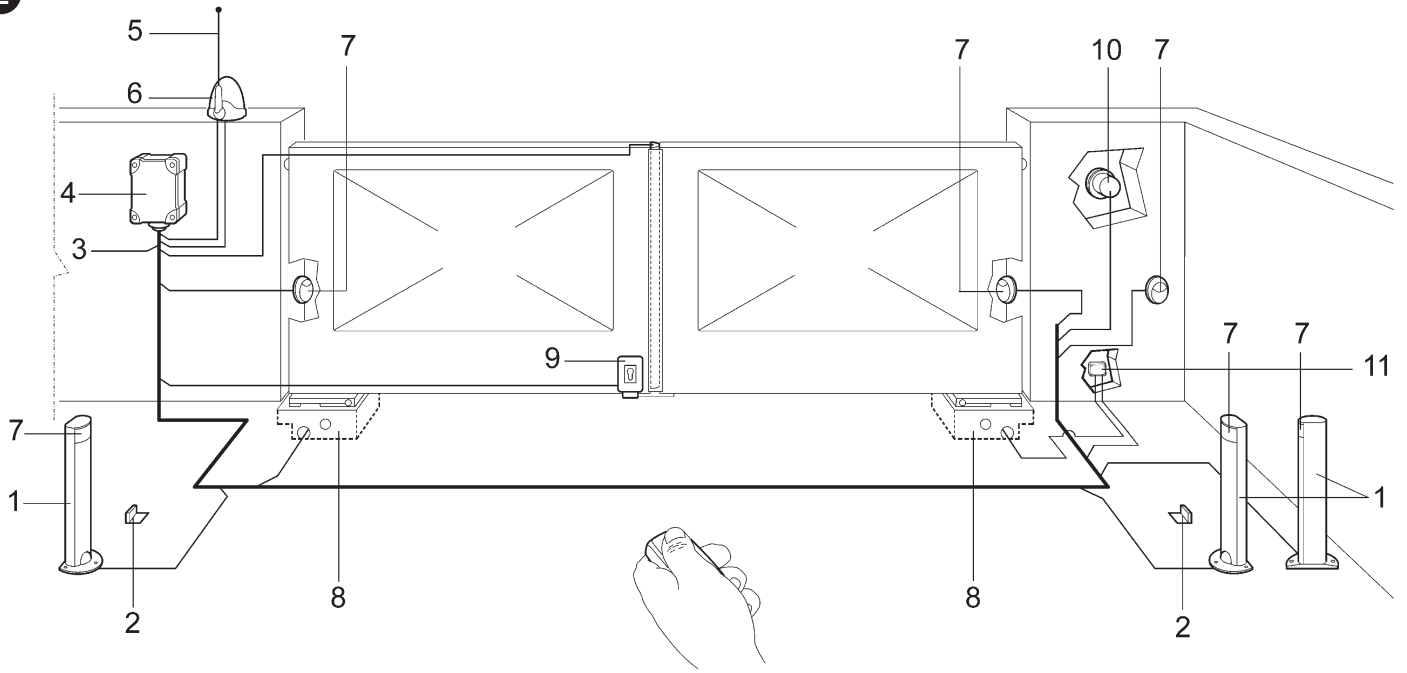
- For **BFAB5024** connect the cables as follows:

WIRE	CONNECTION
Blu wire	24 V motor power supply
Brown wire	24 V motor power supply
Black wire	Encoder
Grey wire	Encoder
Yellow/Green wire	Earth

5.1 - Accessories On Request

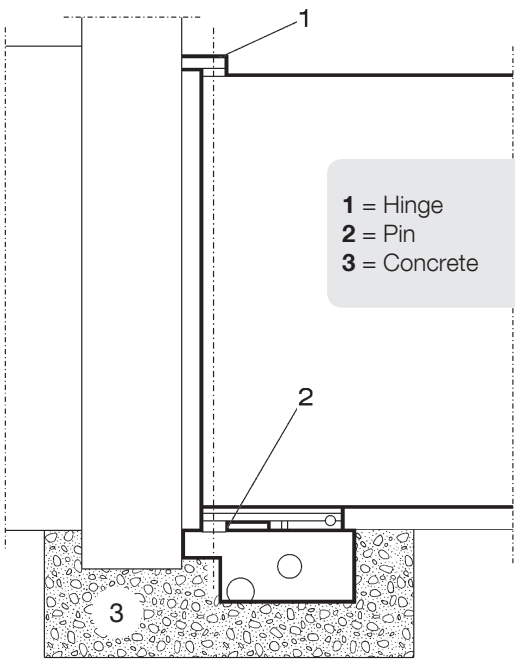
- PLA10 Vertical electric lock 12 Vac
- PLA11 Horizontal electric lock 12 Vac
- BMA1 360° opening device
- MEA2 Key-operated release mechanism
- MEA3 Lever-operated release mechanism

2



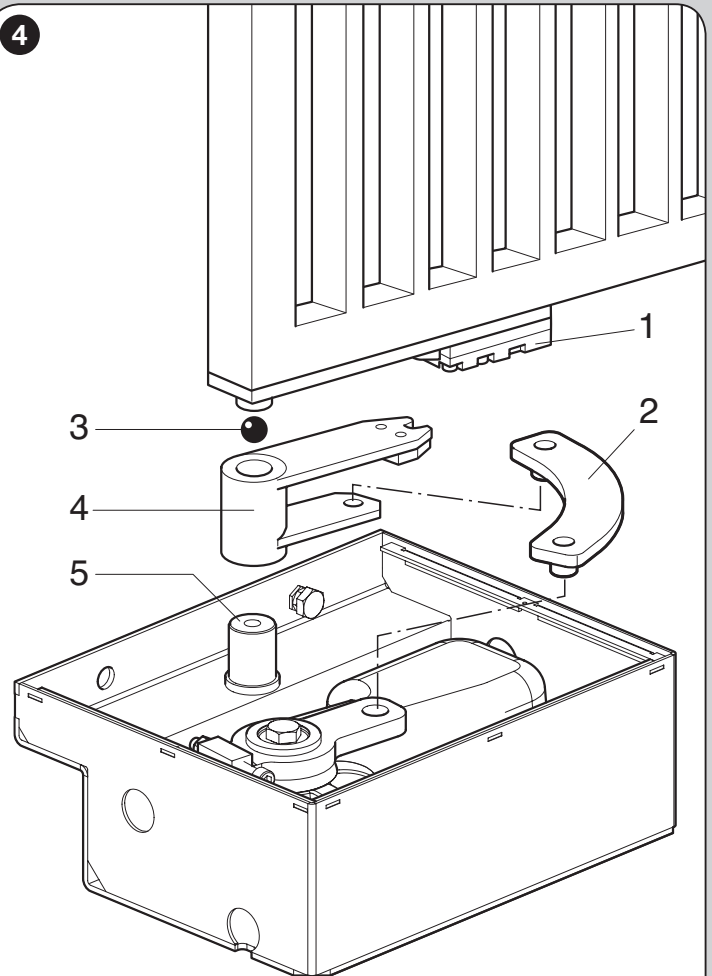
- | | | |
|------------------------------------|---|---|
| 1 Photocell post | 5 Aerial | 9 Vertical electric lock |
| 2 Pair of opening stops | 6 Flashing light | 10 Key-operated selector switch or digital keypad |
| 3 230V line | 7 Photocell | 11 Connector block (not supplied) |
| 4 Control panel (electrical panel) | 8 Box with LFAB(...) / BFAB(...) actuator | |

3



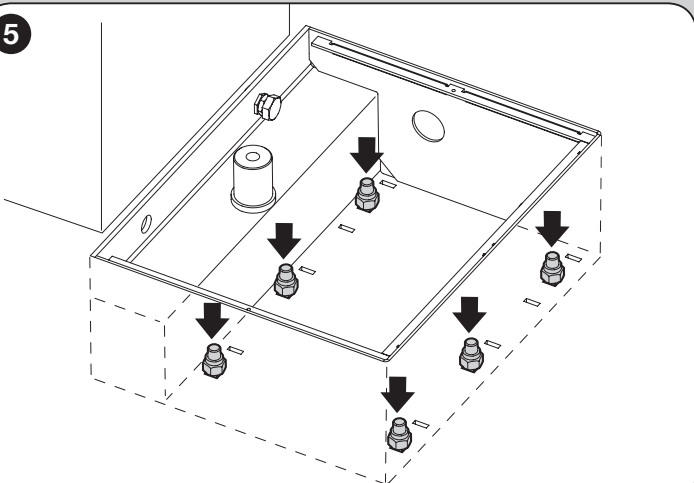
- 1 = Hinge
2 = Pin
3 = Concrete

4



- 1 = Release lever
2 = Connecting lever
3 = Ball
4 = Control bracket
5 = Pin

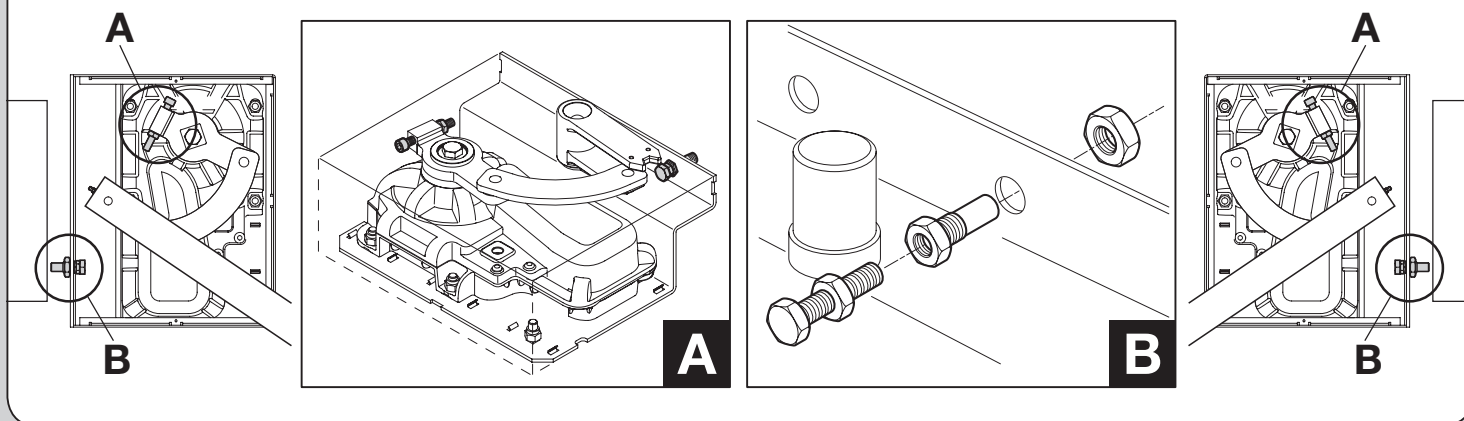
5



6

A - Closing limit switch (supplied with the motor). Mount as shown in the fig. A.

B - Opening limit switch (supplied with the box). Mount as shown in the fig. B.



6 INSPECTION AND COMMISSIONING

This is the most important phase in the realisation of the automation, in order to guarantee maximum safety of the system. The inspection procedure described can also be used to periodically check the devices that make up the automation. **The inspection phases and commissioning of the automation must be performed by qualified and expert staff that must establish the tests necessary to check the solutions used regarding the risks present and to check respect with that envisioned by the Laws, Standards and Regulations:** particularly, all requisites of the EN 13241-1 Standard, which establishes the test methods for checking the gate automations.

6.1 - Inspection

Each individual component of the automation, e.g. sensitive edges, photocells, emergency stop etc requires a specific inspection phase. For these devices the procedures given in the respective instruction manuals must be performed. To test LFAB(...) / BFAB(...) proceed as follows:

- 1 Check that everything envisioned in chapter 1 - General safety warnings and precautions, is rigorously respected.
- 2 Close the gate.
- 3 **ATTENTION! – Remove any electric power input source to the control unit.**
- 4 Release the gear motor using the relative wrench (read Chapter 8).
- 5 Open the panel manually until the maximum opening position is reached and check that there is no friction during the movement.
- 6 Check that the panel, left in any position of its run, does not move.
- 7 Check that the safety systems and the mechanical stops are in good working order.
- 8 Check that the screw connections are well-fastened.
- 9 If necessary, clean the inside of the foundation case and check that the water drain functions correctly.
- 10 Block the gear motor using the relative wrench (read Chapter 8).
- 11 Apply the electric power input to the control unit.
- 12 Measure the force of impact according to that envisioned by the EN 12445 Standard. If the control of the “driving force” is used by the control unit as an auxiliary to the system for the reduction of the force of impact, try and adjust the functions that offer better parameters. LFAB(...) / BFAB(...) is not equipped with any torque adjustment device, therefore this operation is performed by the control unit.
- 13 Permanently fix a label, which describes how to manually release the gear motor, in a zone adjacent to the automation.

6.2 - Commissioning

Commissioning can only be performed after all of the inspection phases of the gear motor and other devices present have been performed with positive results. For commissioning refer to the control unit instruction manual.

IMPORTANT – Partial commissioning or in “temporary” situations is prohibited.

7 PRODUCT MAINTENANCE

LFAB(...) / BFAB(...) does not require any special maintenance; however, routine checks conducted every six months at least will ensure the long life of the gearmotor as well as the correct and safe operation of the system.

Maintenance consists simply in repeating the testing procedure.

DISPOSAL OF THE PRODUCT

This product is an integral part of the automation system, and should therefore be disposed of together with it.

As for the installation operations, even at the end of this product’s life span, the dismantling operations must be carried out by qualified experts.

This product is made up of various types of materials: some can be recycled while others need to be disposed of. Find out about the recycling or disposal systems envisaged by your local regulations for this product category.

Important! – Parts of the product could contain pollutants or hazardous substances which, if released into the environment, could cause harmful effects to the environment itself as well as to human health.

As indicated by the symbol opposite, throwing away this product as domestic waste is strictly forbidden. So dispose of it as differentiated waste, in accordance with your local regulations, or return the product to the retailer when you purchase a new equivalent product.

Important! – the local applicable regulations may envisage heavy sanctions in the event of illegal disposal of this product.



8 Instructions and cautions for the user of the gear motor

Even if your automated system satisfies regulatory safety levels, this does not eliminate "residue risks", that is, the possibility of dangerous situations being generated, usually due to irresponsible or incorrect use. For this reason we would like to give you some suggestions on how to avoid these risks.

- **Before using your automated system for the first time**, ask your fitter to explain how residue risks can arise and spend a few minutes reading the **instructions and warnings for the user** handbook that the fitter will have given you. Keep this manual for future use and, if you should ever sell your automated system, hand it over to the new owner.

ATTENTION! – Your automation is a machine that follows your command faithfully; irresponsible and improper use can make it become dangerous:

- Do not command movement of the automation if there are persons, animals or objects within its radius of action.
- When operating a biased-off switch, make sure that other persons are kept away.
- When operating the gate, keep an eye on the automated mechanism and keep all bystanders at a safe distance until the movement has been completed.
- It is prohibited to touch parts of the automation while the gate or the door is in movement!
- The photocells are not a safety device but just an auxiliary device regarding safety. They are constructed with very high reliability technology but can, in extreme situations, undergo malfunctioning or even break and, in certain cases, the breakdown may not be immediately evident. For this reason, when using the automation, it is necessary to pay attention to the following warnings:
 - Transit is only allowed when the gate or door is completely open with the panels at a standstill
 - IT IS PROHIBITED to transit while the gate or door is closing!
 - Periodically check the correct functioning of the photocells and have the envisioned maintenance checks performed at least every 6 months.
- **Children:**
 - This product is not intended to be used by persons (including children) whose physical, sensory or mental capacities are reduced, or who lack the necessary experience or skill.
 - Children must not play with the appliance.
 - Do not allow children to play with the fixed control devices of the product. Keep the remote controls away from children.
 - Cleaning and maintenance to be carried out by the user must not be carried out by unsupervised children.
- **Anomalies:** if any anomalous behaviour is noticed, remove the electric power input to the plant and manually release the gear motor (see respective instruction manual) to make the gate function manually. Do not perform any self-taught repairs but request the intervention of your local installer.
- **Maintenance:** regular maintenance is required to keep the level of safety

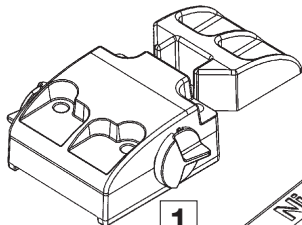

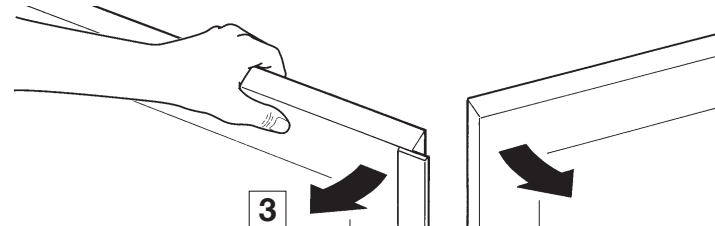
constant and guarantee the maximum duration of the entire automation (every 6 months). **Any control, maintenance or repairs operation must only be performed by qualified staff.**

- Before working on the system (maintenance, cleaning), always disconnect the product from the mains power supply.
- Do not operate the product if anyone is working nearby; disconnect its power supply before permitting such work to be done.
- **Do not modify the plant and programming parameters and control unit regulation: your installer is responsible.**
- **The inspection, periodic maintenance and any repairs must be documented by whoever is carrying out the job.** The documents must be kept by the owner of the plant. The only interventions that the user can perform periodically are cleaning the lenses of the photocells (use a slightly damp soft cloth) and the removal of any leaves or stones that could block the automation. **Important** – Release the gear motor manually before proceeding in order to prevent the gate being activated accidentally (see respective instruction book).
- **Disposal:** at the end of the automation's life span, make sure that it is disposed of by qualified staff and that the materials are re-cycled or disposed of in compliance with the Standards valid at a local level.
- **Breakage or power cut:** while waiting for the intervention of your installer or the return of the power input, if the plant does not have buffer batteries, the automation can be used all the same: the gear motor must be released manually (see the dedicated paragraph successively) and move the gate panel manually as desired.

RELEASE AND BLOCK THE GEAR MOTOR MANUALLY

The gear motor has a mechanical system that allows to open and close the gate manually.

These manual operations must be performed if there is a power cut or functioning anomalies.

	MEA2 Type KEY-Operated Release	MEA3 Type Lever-Operated Release
1	Pull down the lock cover.	
2	Insert the key and rotate it 90° clockwise.	
3	Move the gate manually. WARNING! – To restore automatic operation, relock the gate with the key (rotate the key 90°, counterclockwise).	

Product duration

The duration and average economic life of the product. The value of duration is strongly affected by the fatigue index of the manoeuvres performed by the automation: i.e. the sum of all factors that contribute to wear of the product (see Table 1).

The estimation of duration is made on the basis of the design calculations and the test results performed on prototypes. In fact, as it is an estimate, it does not represent any guarantee regarding the effective duration of the product.

To establish the probable duration of your automation, proceed as follows:

01. Calculate the fatigue index by adding the percentage values of the items present in **Table 1**.
02. In **Graph A** of the value just found, trace a vertical line that crosses the curve; from this point trace a horizontal line until the "manoeuvre cycles" line is crossed. The value determined is the estimated duration of your product.

Example of the duration calculation of an LFAB(...) / BFAB(...) gear motor. Refer to Table 1 and Graph A:

- 1) - Panel length: 3 m
- 2) - Panel weight: 500 kg = fatigue index: 30%.
- 3) - Installation in windy areas = fatigue index: 15%.
- 4) - Does not have other elements of fatigue.

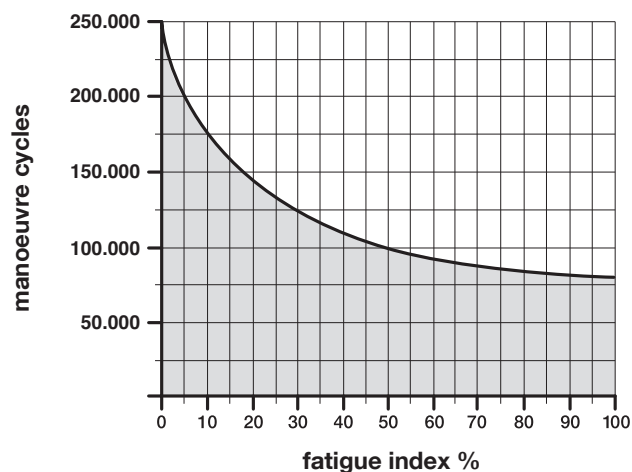
Total fatigue index = 45%

Estimated duration = 110.000 manoeuvre cycles

TABLE 1

Length of the panel (m)	≥ 2.00	2.01 ÷ 3.00	3.01 ÷ 4.00	4.01 ÷ 5.00
Weight of the panel (kg)	Fatigue index			
≤ 150	0 %	10 %	20 %	30 %
151 ÷ 350	10 %	20 %	30 %	40 %
351 ÷ 550	20 %	30 %	40 %	50 %
551 ÷ 750	30 %	40 %	50 %	–
751 ÷ 900	40 %	50 %	–	–
Environmental temperature exceeding 40°C or below 0°C or humidity exceeding 80%				15 %
Blind panel				20 %
Installation in windy area				15 %

GRAPH A



PRODUCT TECHNICAL FEATURES

RECOMMENDATIONS: • All technical features stated make reference at a room temperature of 20°C (± 5°C). • Nice S.p.a. reserves the right to modify the product at any time it deems necessary, however maintaining the same functionality and destination of use.

	BFAB5024	LFAB4024	LFAB4000
Type	Electro-mechanical gear motors for gates and doors with hinged panels		
Power input	24 V ---	24 V ---	230 V \sim
Peak absorption	7 A	5 A	1,5 A
Maximum absorption	2 A	1,5 A	1 A
Peak power	170 W	120 W	340 W
Maximum power	50 W	36 W	180 W
Capacitor incorporated	–		7 μ F
Protection rating	IP 67		
Run	from 0° to 110° or 360°		
Idle speed	0,8 rpm	1 rpm (1,25 rpm*)	0,85 rpm
Speed at nominal torque	0,65 rpm	0,85 rpm	0,65 rpm
Maximum torque	400 Nm	300 Nm	500 Nm
Nominal torque	100 Nm	75 Nm	125 Nm
Functioning temperature	from -20 °C to +50 °C		
Cycles/hour at the nominal torque	45	60	20
Duration	Estimated between about 100.000 e 250,000 manoeuvre cycles, according to the conditions given in Table 1		
Dimensions	230 mm x 206 mm x h 88 mm	375 mm x 225 mm x h 110 mm	
Weight	15 kg (gear motor with foundation space)	12,5 kg	14,3 kg

(*) - Value refers to a power supply voltage of 30V.

1 AVVERTENZE E PRECAUZIONI GENERALI PER LA SICUREZZA

AVVERTENZE GENERALI

- **ATTENZIONE!** - Istruzioni importanti per la sicurezza. Seguire tutte le istruzioni poiché l'installazione non corretta può causare gravi danni.
- **ATTENZIONE!** - Istruzioni importanti per la sicurezza. Per la sicurezza delle persone è importante seguire queste istruzioni. Conservare queste istruzioni.
- Prima di iniziare l'installazione verificare le "Caratteristiche tecniche del prodotto", in particolare se il presente prodotto è adatto ad automatizzare la vostra parte guidata. Se non è adatto, NON procedere all'installazione.
- Il prodotto non può essere utilizzato prima di aver effettuato la messa in servizio come specificato nel capitolo "Collaudo e messa in servizio".
- **ATTENZIONE!** - Secondo la più recente legislazione europea, la realizzazione di un'automazione deve rispettare le norme armonizzate previste dalla Direttiva Macchine in vigore, che consentono di dichiarare la presunta conformità dell'automazione. In considerazione di ciò, tutte le operazioni di allacciamento alla rete elettrica, di collaudo, di messa in servizio e di manutenzione del prodotto devono essere effettuate esclusivamente da un tecnico qualificato e competente!
- Prima di procedere con l'installazione del prodotto, verificare che tutto il materiale da utilizzare sia in ottimo stato ed adeguato all'uso.
- **ATTENZIONE!** - Al fine di evitare ogni pericolo dovuto al riarmo accidentale del dispositivo termico di interruzione, questo apparecchio non deve essere alimentato con un dispositivo di manovra esterno, quale un temporizzatore, oppure essere connesso a un circuito che viene regolarmente alimentato o disalimentato dal servizio.
- Nella rete di alimentazione dell'impianto prevedere un dispositivo di disconnessione (non in dotazione) con una distanza di apertura dei contatti che consenta la disconnessione completa nelle condizioni dettate dalla categoria di sovratensione III.
- Durante l'installazione maneggiare con cura il prodotto evitando schiacciamenti, urti, cadute o contatto con liquidi di qualsiasi natura. Non mettere il prodotto vicino a fonti di calore, né esporlo a fiamme libere. Tutte queste azioni possono danneggiarlo ed essere causa di malfunzionamenti o situazioni di pericolo. Se questo accade, sospendere immediatamente l'installazione e rivolgersi al Servizio Assistenza.
- Il produttore non si assume alcuna responsabilità per danni patrimoniali, a cose o a persone derivanti dalla non osservanza delle istruzioni di montaggio. In questi casi è esclusa la garanzia per difetti materiali.
- Il livello di pressione acustica dell'emissione ponderata A è inferiore a 70 dB(A).
- Prima degli interventi sull'impianto (manutenzione, pulizia), disconnettere sempre il prodotto dalla rete di alimentazione.
- Verificare frequentemente l'impianto, in particolare controllare i cavi, le molle e i supporti per rilevare eventuali sbilanciamenti e segni di usura o danni. Non usare se è necessaria una riparazione o una regolazione, poiché un guasto all'installazione o un bilanciamento della porta non corretto possono provocare lesioni.
- Il materiale dell'imballo del prodotto deve essere smaltito nel pieno rispetto della normativa locale.
- Tenere le persone lontane dalla porta quando questa viene movimentata mediante gli elementi di comando.
- Durante l'esecuzione della manovra controllare l'automazione e mantenere le persone lontano da essa, fino al termine del movimento.
- Non comandare il prodotto se nelle sue vicinanze ci sono persone che svolgono lavori sull'automazione; scollegate l'alimentazione elettrica prima di far eseguire questi lavori.
- Se il cavo di alimentazione è danneggiato, esso deve essere sostituito

dal costruttore o dal suo servizio di assistenza tecnica o comunque da una persona con qualifica similare, in modo da prevenire ogni rischio.

AVVERTENZE INSTALLAZIONE

- Prima di installare il motore di movimentazione, controllare che tutti gli organi meccanici siano in buone condizioni, regolarmente bilanciati e che la porta possa essere manovrata correttamente.
- Se il cancello da automatizzare è dotato di una porta pedonale occorre predisporre l'impianto con un sistema di controllo che inibisca il funzionamento del motore quando la porta pedonale è aperta.
- Assicurarsi che gli elementi di comando siano tenuti lontani dagli organi in movimento consentendone comunque una visione diretta. A meno che non si utilizzi un selettore, gli elementi di comando vanno installati ad un'altezza minima di 1,5m e non devono essere accessibili.
- Prevenire ed evitare ogni forma di intrappolamento tra le parti in movimento e quelle fisse durante le manovre.
- Apporre in modo fisso e permanente l'etichetta riguardante la manovra manuale vicino all'elemento che consente la manovra stessa.
- Dopo aver installato il motore di movimentazione assicurarsi che il meccanismo, il sistema di protezione ed ogni manovra manuale funzionino correttamente.

2 DESCRIZIONE DEL PRODOTTO E DESTINAZIONE D'USO

Il presente prodotto è destinato ad essere utilizzato per automatizzare cancelli o portoni ad ante battenti.

ATTENZIONE! - Qualsiasi altro uso diverso da quello descritto e in condizioni ambientali diverse da quelle riportate in questo manuale è da considerarsi improprio e vietato!

Il prodotto è un motoriduttore elettromeccanico. Il motoriduttore viene alimentato dalla centrale di comando esterna a cui deve essere collegato.

In caso d'interruzione dell'energia elettrica (black-out), è possibile muovere le ante del cancello sbloccando il motoriduttore con l'apposita chiave; per eseguire la manovra manuale vedere capitolo 8.

Il prodotto è disponibile nella versione:

- BFAB5024 con encoder, adatto per centrali mod. MC824H.
- LFAB4024 con encoder, adatto per centrali mod. MC824H.
- LFAB4000 con encoder, adatto per centrali mod. A6F / A60.

ATTENZIONE! - Non utilizzare i motoriduttori con centrali non compatibili.

3 INSTALLAZIONE

3.1 - Verifiche preliminari all'installazione

Prima di procedere all'installazione, è necessario verificare l'integrità dei componenti del prodotto, l'adeguatezza del modello scelto e l'idoneità dell'ambiente destinato all'installazione.

IMPORTANTE - Il motoriduttore non può automatizzare un cancello manuale che non abbia una struttura meccanica efficiente e sicura. Inoltre, non può risolvere i difetti causati da una sbagliata installazione o da una cattiva manutenzione del cancello stesso.

3.2 - Idoneità del cancello da automatizzare e dell'ambiente circostante

- Verificare che la struttura meccanica del cancello sia adatta ad essere automatizzata e conforme alle norme vigenti sul territorio (eventualmente fare riferimento ai dati riportati sull'etichetta del cancello).
- Muovendo manualmente l'anta del cancello in Apertura e in Chiusura, verificare che il movimento avvenga con attrito uguale e costante in ogni punto della corsa (non devono esserci momenti di maggiore sforzo).
- Verificare che l'anta del cancello resti in equilibrio, cioè che non si muova se portata manualmente in una qualsiasi posizione e lasciata ferma.
- Verificare che lo spazio intorno al motoriduttore consenta di sbloccare manualmente le ante del cancello, in modo facile e sicuro.
- Prevedere dei fermi di finecorsa a terra sia per l'apertura sia per la chiusura del cancello.
- Verificare che la zona di fissaggio del motoriduttore sia compatibile con l'ingombro di quest'ultimo (fig. 1).

GRAFICO 1 (mod. BFAB5024)

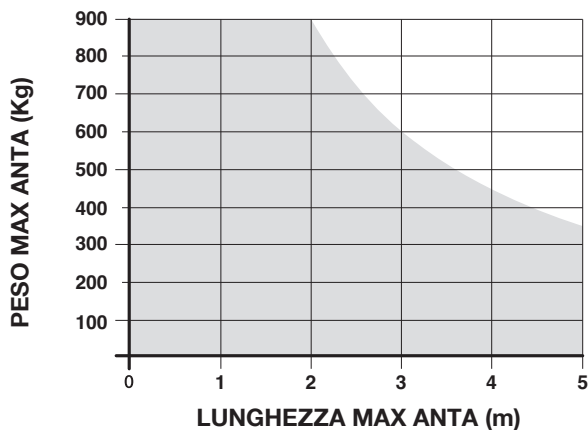
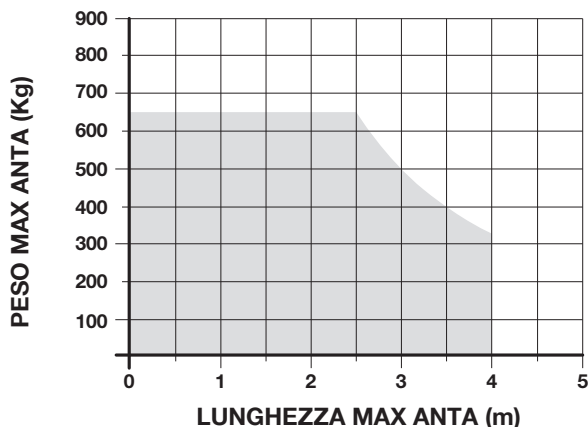


GRAFICO 1 (mod. LFAB4024 / LFAB4000)



3.3 - Limiti d'impiego del prodotto

Prima di eseguire l'installazione del prodotto, verificare che l'anta del cancello abbia dimensioni e peso rientranti nei limiti riportati nel **grafico 1**; valutare anche le condizioni climatiche (es. vento forte) presenti nel luogo d'installazione, possono ridurre notevolmente i valori riportati nel grafico.

3.4 - Lavori di predisposizione all'installazione

La **fig. 2** mostra un esempio di impianto di automatizzazione realizzato con componenti Nice. Questi componenti sono posizionati secondo uno schema tipico ed usuale.

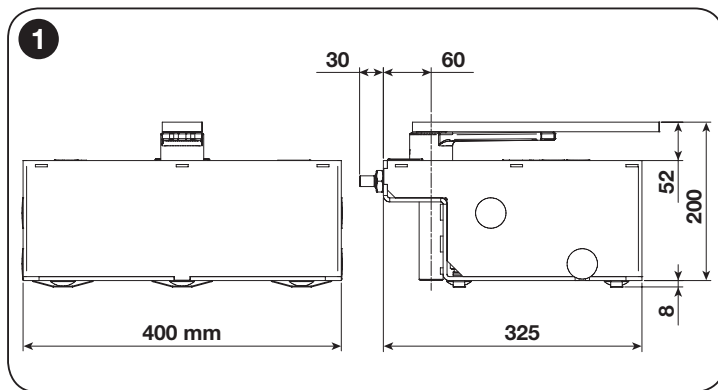
Facendo riferimento alla **fig. 2**, stabilire la posizione approssimativa in cui verrà installato ciascun componente previsto nell'impianto e lo schema di collegamento più appropriato.

3.5 - Fissaggio: dimensioni d'ingombro e posizionamento della cassa di fondazione

- 1 Eseguire uno scavo di fondazione di dimensioni generose, per collocare la cassa di fondazione (**fig. 3**); prevedere una conduttura di scarico per il drenaggio dell'acqua per evitarne il ristagno.
- 2 Se il cancello dispone di propri arresti meccanici (**fig. 2**) passare direttamente al punto 3. Altrimenti, Fissare alla cassa l'accessorio per il fincorsa di apertura (vedi paragrafo 4).
- 3 Collocare la cassa all'interno dello scavo, con il perno allineato all'asse della cerniera (es. **fig. 3**).
- 4 Prevedere un condotto per i cavi elettrici ed uno per il drenaggio.
- 5 Annegare nel calcestruzzo la cassa di fondazione, curandone la messa in bolla ed il livello.
- 6 Inserire sul perno della cassa la staffa di comando, avendo cura di interporre la sfera in dotazione (**fig. 4**).
- 7 Appoggiare l'anta del cancello sulla leva di sblocco, e fissare con saldatura robusta.
- 8 Ingrassare mediante apposito ugello ingrassatore.

3.6 - Installazione del motoriduttore LFAB(...) / BFAB(...)

- 1 Togliere i dadi e le rondelle indicati nella figura a destra (**fig. 5**).
- 2 Collocare il motoriduttore all'interno della cassa di fondazione assicurandosi che sia inserito nel verso giusto.



- 3 Bloccare il motoriduttore con le rondelle e i dadi tolti precedentemente.
- 4 Collegare con la leva di collegamento (2) il motoriduttore al cancello (**fig. 4**).

4 POSIZIONAMENTI DI FINE CORSA

Vedere la **fig. 6**.

5 COLLEGAMENTI ELETTRICI

Avvertenze:

- Il motoriduttore è fornito con un cavo di alimentazione elettrica lungo 2 m. Quindi, se si necessita di coprire una distanza maggiore per eseguire i collegamenti elettrici, è necessario utilizzare una scatola di derivazione (non fornita). **IMPORTANTE!** – È vietato eseguire aggiunte di cavo elettrico all'interno della cassa di fondazione.
- Eseguire i collegamenti elettrici con l'alimentazione di rete scollegata.

Per collegare il cavo di alimentazione alla centrale di comando vedere il manuale di quest'ultima e le seguenti indicazioni:

- Per il **LFAB4024** e **LFAB4000** collegare i cavi nel seguente modo:

FILO	COLLEGAMENTO
filo Nero	Fase "apre"
filo Marrone	Fase "chiude"
filo Grigio	Comune
filo Giallo/Verde	Terra

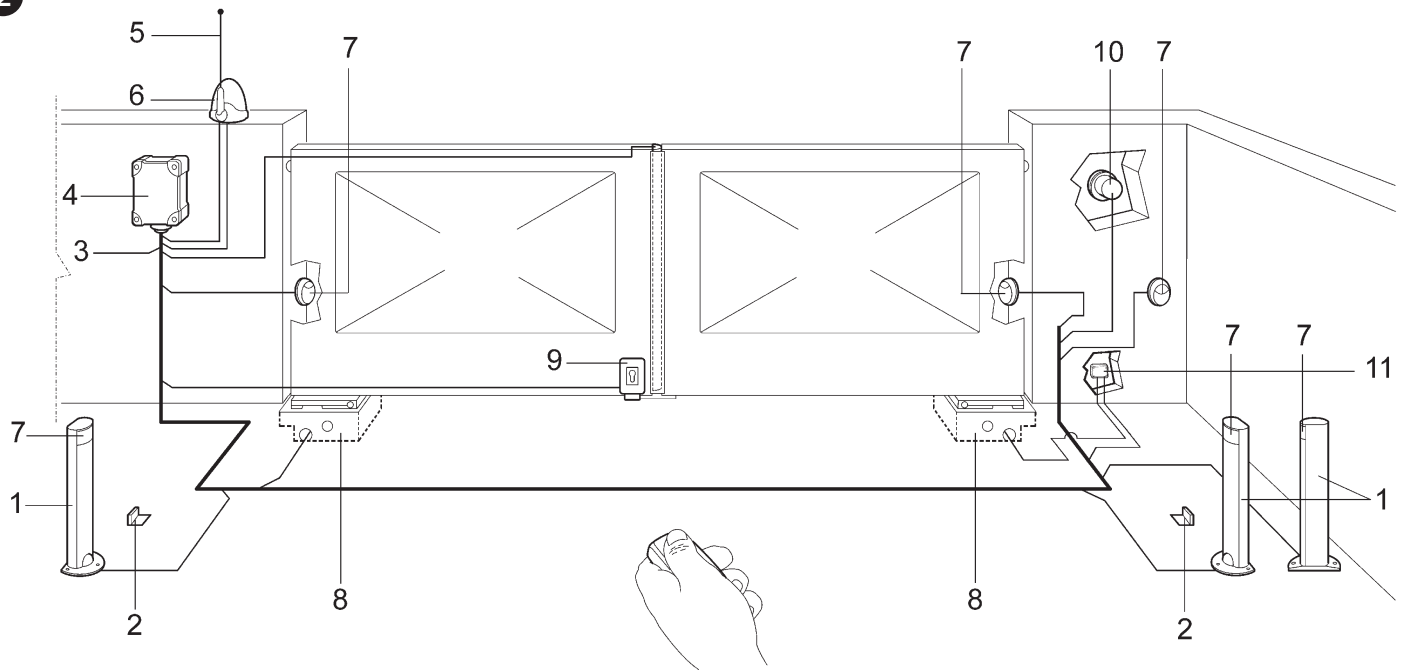
- Per il **BFAB5024** collegare i cavi nel seguente modo:

FILO	COLLEGAMENTO
filo Blu	Alimentazione motore 24 V
filo Marrone	Alimentazione motore 24 V
filo Nero	Encoder
filo Grigio	Encoder
filo Giallo/Verde	Terra

5.1 - Accessori a richiesta

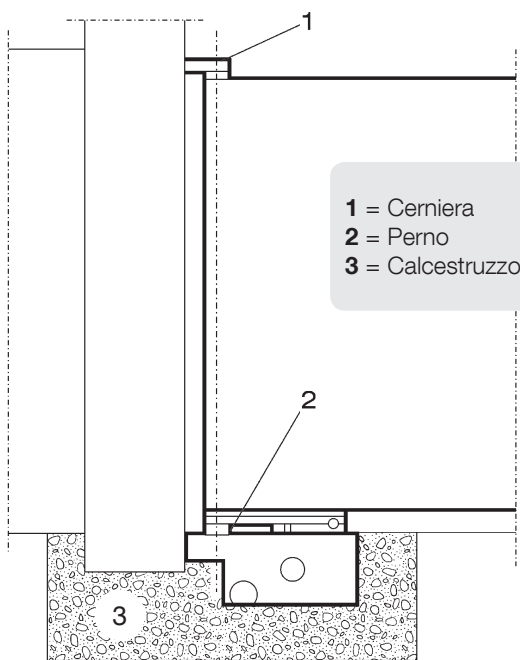
- PLA10 Elettroserratura 12 Vca verticale
- PLA11 Elettroserratura 12 Vca orizzontale
- BMA1 Dispositivo per apertura a 360°
- MEA2 Sblocco con serratura
- MEA3 Sblocco con apposita leva

2



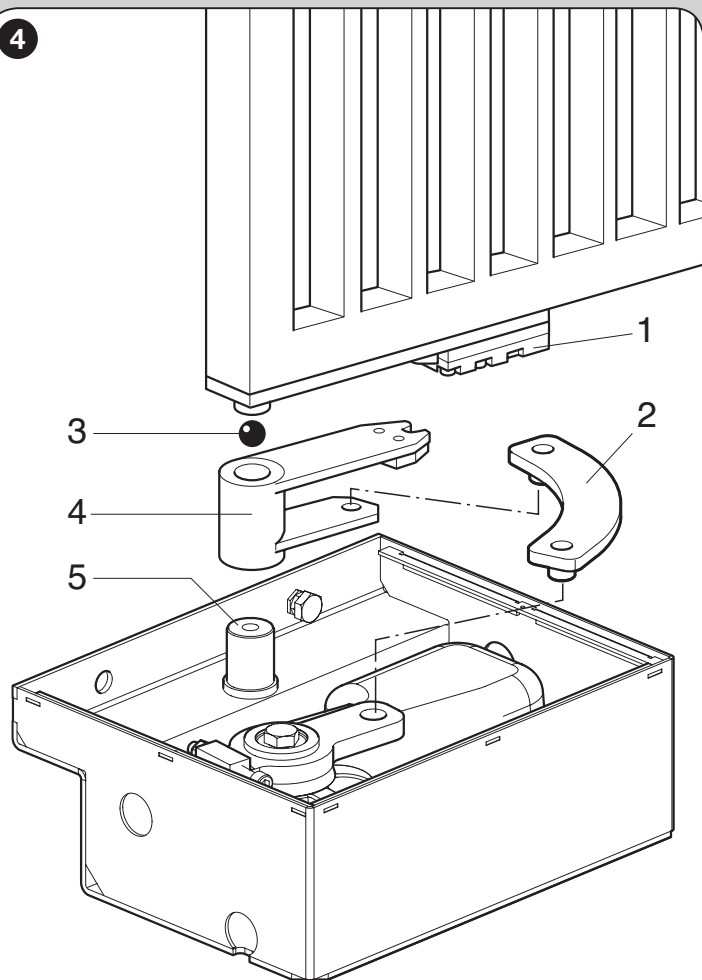
- | | | |
|--|---|---|
| 1 Colonnina per fotocellula | 5 Antenna | 9 Elettroserratura verticale |
| 2 Coppia di arresti in apertura | 6 Lampeggiante | 10 Selettore a chiave o tastiera digitale |
| 3 Linea 230V | 7 Fotocellula | 11 Scatola di derivazione (non fornita) |
| 4 Quadro di comando (centralina elettrica) | 8 Cassa con attuatore LFAB(...) / BFAB(...) | |

3



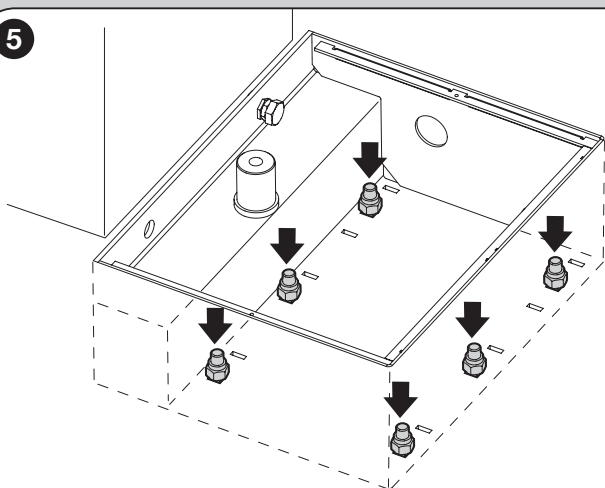
- 1 = Cerniera
2 = Perno
3 = Calcestruzzo

4



- 1 = Leva di sblocco
2 = Leva di collegamento
3 = Sfera
4 = Staffa di comando
5 = Perno

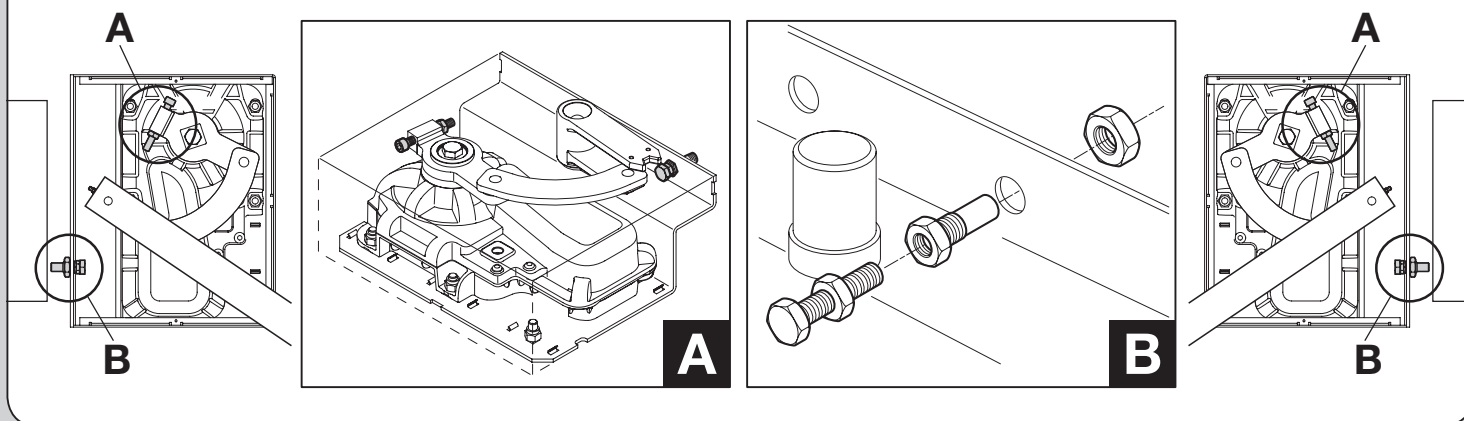
5



6

A - Finecorsa di chiusura (in dotazione al motore). Fissare come in fig. A.

B - Finecorsa di apertura (in dotazione alla cassa). Fissare come in fig. B.



6 COLLAUDO E MESSA IN SERVIZIO

Questa è la fase più importante nella realizzazione dell'automazione, al fine di garantire la massima sicurezza dell'impianto. La procedura di collaudo descritta può essere usata anche per verificare periodicamente i dispositivi che compongono l'automazione.

Le fasi del collaudo e della messa in servizio dell'automazione devono essere eseguite da personale qualificato ed esperto che dovrà farsi carico di stabilire le prove necessarie a verificare le soluzioni adottate nei confronti dei rischi presenti, e di verificare il rispetto di quanto previsto da leggi, normative e regolamenti: in particolare, di tutti i requisiti della norma EN 13241-1 che stabilisce i metodi di prova per la verifica degli automatismi per cancelli.

6.1 - Collaudo

Ogni singolo componente dell'automazione, ad esempio bordi sensibili, fotocellule, arresto di emergenza, ecc. richiede una specifica fase di collaudo; per questi dispositivi si devono eseguire le procedure riportate nei rispettivi manuali istruzioni.

Per il collaudo di LFAB(...) / BFAB(...) seguire questa procedura:

- 1 Verificare che sia stato rispettato rigorosamente, in materia di sicurezza, quanto previsto nel capitolo 1 - Avvertenze e precauzioni generali per la sicurezza.
- 2 Portare il cancello in posizione di chiusura.
- 3 **ATTENZIONE! – Togliere qualsiasi sorgente di alimentazione elettrica alla centrale di comando.**
- 4 Sbloccare il motoriduttore con l'apposita chiave (leggere il Capitolo 8).
- 5 Aprire manualmente l'anta fino a raggiungere la posizione di massima apertura e verificare che durante il suo movimento non ci siano punti d'attrito.
- 6 Lasciare ferma l'anta in una posizione qualsiasi della sua corsa e verificare che l'anta non si muova.
- 7 Verificare che i sistemi di sicurezza e gli arresti meccanici siano in buono stato.
- 8 Verificare che i collegamenti a vite siano avvitati ben stretti.
- 9 Se necessario pulire l'interno della cassa di fondazione e verificare che lo scarico dell'acqua funzioni correttamente.
- 10 Bloccare il motoriduttore con l'apposita chiave (leggere il Capitolo 8).
- 11 Dare alimentazione elettrica alla centrale di comando.
- 12 Eseguire la misura della forza d'impatto secondo quanto previsto dalla norma EN 12445. Se il controllo della "forza motore" viene usato dalla Centrale come ausilio al sistema per la riduzione della forza di impatto, provare a regolare le funzioni che offrono parametri migliori. LFAB(...) / BFAB(...) è sprovvisto di dispositivo di regolazione di coppia, pertanto tale regolazione è affidata alla centrale di comando.
- 13 Fissare in modo permanente, in una zona adiacente all'automazione, l'etichetta che descrive come sbloccare manualmente il motoriduttore.

6.2 - Messa in servizio

La messa in servizio può avvenire solo dopo aver eseguito con esito positivo tutte le fasi di collaudo del motoriduttore e degli altri dispositivi presenti. Per eseguire la messa in servizio fare riferimento al manuale istruzioni della Centrale di comando.

IMPORTANTE – È vietata la messa in servizio parziale o in situazioni "provvisorie".

7 MANUTENZIONE DEL PRODOTTO

La manutenzione di LFAB(...) / BFAB(...) non necessita di accorgimenti particolari, ma un controllo programmato almeno ogni sei mesi permette di ottenere una maggiore vita del motoriduttore ed un corretto e sicuro funzionamento del sistema.

La manutenzione consiste semplicemente nel ripetere la procedura di collaudo.

SMALTIMENTO DEL PRODOTTO

Questo prodotto è parte integrante dell'automazione, e dunque, deve essere smaltito insieme con essa.

Come per le operazioni d'installazione, anche al termine della vita di questo prodotto, le operazioni di smantellamento devono essere eseguite da personale qualificato.

Questo prodotto è costituito da vari tipi di materiali: alcuni possono essere riciclati, altri devono essere smaltiti. Informatevi sui sistemi di riciclaggio o smaltimento previsti dai regolamenti vigenti sul vostro territorio, per questa categoria di prodotto.

Attenzione! – Alcune parti del prodotto possono contenere sostanze inquinanti o pericolose che, se disperse nell'ambiente, potrebbero provocare effetti dannosi sull'ambiente stesso e sulla salute umana.

Come indicato dal simbolo a lato, è vietato gettare questo prodotto nei rifiuti domestici. Eseguire quindi la "raccolta separata" per lo smaltimento, secondo i metodi previsti dai regolamenti vigenti sul vostro territorio, oppure riconsegnare il prodotto al venditore nel momento dell'acquisto di un nuovo prodotto equivalente.



Attenzione! – i regolamenti vigenti a livello locale possono prevedere pesanti sanzioni in caso di smaltimento abusivo di questo prodotto.

8 Istruzioni ed avvertenze destinate all'utilizzatore del motoriduttore

Anche se l'automazione in vostro possesso soddisfa il livello di sicurezza richiesto dalle normative, questo non esclude l'esistenza di un "rischio residuo", cioè la possibilità che si possano generare situazioni di pericolo, solitamente dovute ad un utilizzo incosciente o addirittura errato. Per questo motivo desideriamo darvi alcuni consigli sui comportamenti da seguire per evitare ogni inconveniente.

- **Prima di usare per la prima volta l'automazione**, fatevi spiegare dall'installatore l'origine dei rischi residui, e dedicate qualche minuto alla lettura del manuale di **istruzioni ed avvertenze per l'utilizzatore** consegnatovi dall'installatore. Conservate il manuale per ogni dubbio futuro e consegnatelo ad un eventuale nuovo proprietario dell'automazione.

ATTENZIONE! – La vostra automazione è un macchinario che esegue fedelmente i vostri comandi; un uso incosciente ed improprio può farlo diventare pericoloso:

- Non comandate il movimento dell'automazione se nel suo raggio di azione si trovano persone, animali o cose.
- Tenere le persone lontane dalla porta quando questa viene movimentata mediante gli elementi di comando.
- Durante l'esecuzione della manovra controllare l'automazione e mantenere le persone lontano da essa, fino al termine del movimento.
- È assolutamente vietato toccare parti dell'automazione mentre il cancello o il portone è in movimento!
- Le fotocellule non sono un dispositivo di sicurezza ma soltanto un dispositivo ausiliario alla sicurezza. Sono costruite con tecnologia ad altissima affidabilità ma possono, in situazioni estreme, subire malfunzionamenti o addirittura guastarsi e, in certi casi, il guasto potrebbe non essere subito evidente. Per questi motivi, durante l'utilizzo dell'automazione è necessario fare attenzione alle seguenti avvertenze:
 - Il transito è consentito solo se il cancello o portone è completamente aperto e con le ante ferme.
 - È ASSOLUTAMENTE VIETATO transitare mentre il cancello o il portone si sta chiudendo!
 - Verificare periodicamente il corretto funzionamento delle fotocellule e far eseguire i controlli di manutenzione previsti, almeno ogni 6 mesi.

• Bambini:

- Il prodotto non è destinato a essere usato da persone (bambini compresi) le cui capacità fisiche, sensoriali o mentali siano ridotte, oppure con mancanza di esperienza o di conoscenza.
- I bambini non devono giocare con l'apparecchio.
- Non permettere ai bambini di giocare con i dispositivi di comando del prodotto. Tenere i telecomandi lontano dai bambini.
- La pulizia e la manutenzione destinata ad essere effettuata dall'utilizzatore non deve essere effettuata da bambini senza sorveglianza.

- **Anomalie:** se viene notato un qualunque comportamento anomalo dell'automazione, togliere l'alimentazione elettrica all'impianto ed eseguire lo sblocco manuale del motoriduttore (vedere rispettivo manuale istruzioni) per far funzionare manualmente il cancello. Non effettuare alcuna riparazione da

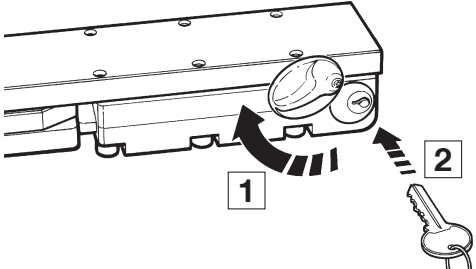
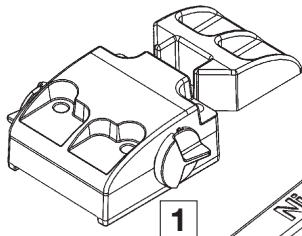

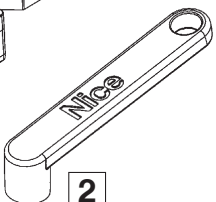
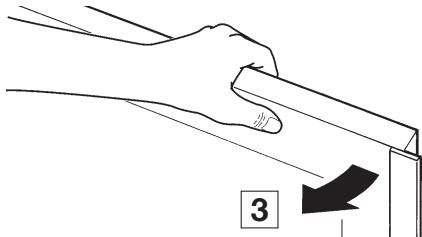
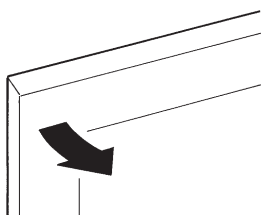
autodidatta ma richiedere l'intervento del vostro installatore di fiducia.

- **Manutenzione:** per mantenere costante il livello di sicurezza e per garantire la massima durata dell'intera automazione è necessaria una manutenzione regolare (ogni 6 mesi). **Qualunque intervento di controllo, manutenzione o riparazione deve essere eseguito solo da personale qualificato.**
 - Prima degli interventi sull'impianto (manutenzione, pulizia), disconnettere sempre il prodotto dalla rete di alimentazione.
 - Non comandare il prodotto se nelle sue vicinanze ci sono persone che svolgono lavori sull'automazione; scollegate l'alimentazione elettrica prima di far eseguire questi lavori.
- **Non modificare l'impianto e i parametri di programmazione e di regolazione della centrale di comando: la responsabilità è del vostro installatore.**
- **Il collaudo, le manutenzioni periodiche e le eventuali riparazioni devono essere documentate da chi esegue il lavoro.** I documenti devono essere conservati dal proprietario dell'impianto. Gli unici interventi che l'utilizzatore può eseguire periodicamente, sono la pulizia dei vetri delle fotocellule (utilizzare un panno morbido e leggermente umido) e la rimozione di eventuali foglie o sassi che potrebbero ostacolare l'automatismo. **Importante** – Prima di procedere, per impedire che qualcuno possa azionare innavertitamente il cancello, sbloccare manualmente il motoriduttore (vedere rispettivo manuale istruzioni).
- **Smaltimento:** al termine della vita dell'automazione, assicuratevi che lo smantellamento sia eseguito da personale qualificato e che i materiali vengano riciclati o smaltiti secondo le norme valide a livello locale.
- **Rottura o assenza di alimentazione:** in attesa dell'intervento del vostro installatore o del ritorno dell'energia elettrica, se l'impianto non è dotato di batterie tampone, l'automazione può essere ugualmente utilizzata: occorre eseguire lo sblocco manuale del motoriduttore (vedere di seguito il paragrafo dedicato) e muovere l'anta del cancello manualmente come si desidera.

SBLOCCARE E BLOCCARE IL MOTORIDUTTORE MANUALMENTE

Il motoriduttore è dotato di un sistema meccanico che consente di aprire e chiudere il cancello manualmente.

Queste operazioni manuali devono essere eseguite nei casi di mancanza di corrente elettrica o di anomalie di funzionamento.

		Sblocco a CHIAVE tipo MEA2	Sblocco a leva tipo MEA3
1	Abbassare il coperchio copriserratura.		
2	Inserire la chiave e ruotarla in senso orario di 90°.		
3	Agire manualmente sull'anta. ATTENZIONE! – Per ripristinare il funzionamento automatico, ribloccare il cancello con la chiave (ruotare la chiave di 90°, in senso antiorario).		

Durabilità del prodotto

La durabilità è la vita economica media del prodotto. Il valore della durabilità è fortemente influenzato dall'indice di gravosità delle manovre eseguite dall'automatismo: cioè la somma di tutti i fattori che contribuiscono all'usura del prodotto (vedere Tabella 1).

La stima di durabilità viene effettuata sulla base dei calcoli progettuali e dei risultati di prove effettuate su prototipi. Infatti, essendo una stima, non rappresenta alcuna garanzia sull'effettiva durata del prodotto.

Per stabilire la durabilità probabile del vostro automatismo procedere nel modo seguente:

01. Calcolare l'indice di gravosità sommando tra loro i valori in percentuale delle voci presenti nella **Tabella 1**.
02. Nel **Grafico A** dal valore appena trovato, tracciare una linea verticale fino ad incrociare la curva; da questo punto tracciare una linea orizzontale fino ad incrociare la linea dei "cicli di manovre". Il valore determinato è la durabilità stimata del vostro prodotto.

Esempio del calcolo di durabilità di un motoriduttore LFAB(...) / BFAB(...). Fare riferimento alla Tabella 1 e al Grafico A:

- 1) - Lunghezza dell'anta: 3 m
- 2) - Peso dell'anta: 500 kg = indice di gravosità: 30%.
- 3) - Installazione in zone ventose = indice di gravosità: 15%.
- 4) - Non presenti altri elementi di affaticamento.

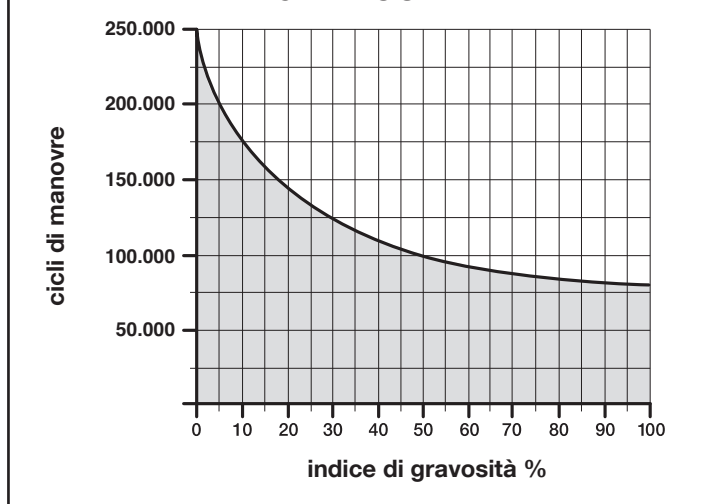
Indice di gravosità totale = 45%

Durabilità stimata = 110.000 cicli di manovre

TABELLA 1

Lunghezza dell'anta (m)	≥ 2.00	2.01 ÷ 3.00	3.01 ÷ 4.00	4.01 ÷ 5.00
Peso dell'anta (kg)	Indice di gravosità			
≤ 150	0 %	10 %	20 %	30 %
151 ÷ 350	10 %	20 %	30 %	40 %
351 ÷ 550	20 %	30 %	40 %	50 %
551 ÷ 750	30 %	40 %	50 %	–
751 ÷ 900	40 %	50 %	–	–
Temperatura ambientale superiore a 40°C o inferiore a 0°C o umidità superiore all'80%				15 %
Anta cieca				20 %
Installazione in zona ventosa				15 %

GRAFICO A



CARATTERISTICHE TECNICHE DEL PRODOTTO

AVVERTENZE: • Tutte le caratteristiche tecniche riportate, sono riferite ad una temperatura ambientale di 20°C (± 5°C). • Nice S.p.a. si riserva il diritto di apportare modifiche al prodotto in qualsiasi momento lo riterrà necessario, mantenendone comunque la stessa funzionalità e destinazione d'uso.

	BFAB5024	LFAB4024	LFAB4000
Tipologia	Motoriduttore elettromeccanico per cancelli o portoni ad ante battenti		
Alimentazione	24 V ===	24 V ===	230 V ~
Assorbimento di picco	7 A	5 A	1,5 A
Assorbimento massimo	2 A	1,5 A	1 A
Potenza di picco	170 W	120 W	340 W
Potenza massima	50 W	36 W	180 W
Condensatore incorporato	–		7µF
Grado di protezione	IP 67		
Corsa	da 0° a 110° oppure 360°		
Velocità a vuoto	0,8 rpm	1 rpm (1,25 rpm*)	0,85 rpm
Velocità alla coppia nominale	0,65 rpm	0,85 rpm	0,65 rpm
Coppia massima	400 Nm	300 Nm	500 Nm
Coppia nominale	100 Nm	75 Nm	125 Nm
Temperatura di funzionamento	da -20 °C a +50 °C		
Cicli/ora alla coppia nominale	45	60	20
Durabilità	Stimata tra circa 100.000 e 250.000 cicli di manovre, secondo le condizioni riportate nelle Tabella 1		
Dimensioni	230 mm x 206 mm x h 88 mm	375 mm x 225 mm x h 110 mm	
Peso	15 kg (motoriduttore con cassa di fondazione)	12,5 kg	14,3 kg

(*) - Valore riferito a una tensione di alimentazione di 30V.

1 MISES EN GARDE ET PRÉCAUTIONS GÉNÉRALES DE SÉCURITÉ

INSTRUCTIONS GÉNÉRALES

- **ATTENTION ! - Instructions importantes pour la sécurité. Il est important de suivre toutes les instructions fournies étant donné qu'une installation incorrecte est susceptible de provoquer des dommages graves.**
- **ATTENTION ! - Instructions importantes pour la sécurité. Pour la sécurité des personnes, il est important de respecter ces consignes. Conserver ces consignes.**
- Avant de commencer l'installation, vérifiez les « Caractéristiques techniques du produit » (dans ce manuel) en vous assurant notamment qu'il est bien adapté à l'automatisation de votre pièce guidée. Dans le cas contraire, vous NE devez PAS procéder à l'installation.
- Le produit ne peut être utilisé qu'après la mise en service effectuée selon les instructions du chapitre « Essai et mise en service ».
- **ATTENTION ! - Conformément à la législation européenne actuelle, la réalisation d'un automatisme implique le respect des normes harmonisées prévues par la Directive Machines en vigueur, qui permettent de déclarer la conformité présumée de l'automatisme. De ce fait, toutes les opérations de branchement au secteur électrique, d'essai, de mise en service et de maintenance du produit doivent être effectuées exclusivement par un technicien qualifié et compétent !**
- Avant l'installation du produit, s'assurer que tout le matériel à utiliser est en excellent état et adapté à l'usage prévu.
- **ATTENTION ! - Afin d'éviter tout danger dû au réarmement accidentel du disjoncteur, cet appareil ne doit pas être alimenté par le biais d'un dispositif de manœuvre externe (ex. : temporisateur) ou bien être connecté à un circuit régulièrement alimenté ou déconnecté par la ligne.**
- Prévoir dans le réseau d'alimentation de l'installation un dispositif de déconnexion (non fourni) avec une distance d'ouverture des contacts qui permette la déconnexion complète dans les conditions dictées par la catégorie de surtension III.
- Pendant l'installation, manipuler le produit avec soin en évitant tout écrasement, choc, chute ou contact avec des liquides de quelque nature que ce soit. Ne pas positionner le produit près de sources de chaleur, ni l'exposer à des flammes nues. Toutes ces actions peuvent l'endommager et créer des dysfonctionnements ou des situations de danger. Le cas échéant, suspendre immédiatement l'installation et s'adresser au service après-vente.
- Le fabricant décline toute responsabilité en cas de dommages patrimoniaux causés à des biens ou à des personnes dérivant du non-respect des instructions de montage. Dans ces cas, la garantie pour défauts matériels est exclue.
- Le niveau de pression acoustique d'émission pondérée A est inférieur à 70 dB(A).
- Avant toute intervention (maintenance, nettoyage), il faut toujours débrancher le produit du secteur.
- Contrôler fréquemment l'installation, en particulier les câbles, les ressorts et les supports pour repérer d'éventuels déséquilibres et signes d'usure ou de dommages. Ne pas utiliser l'installation en cas de réparations ou de réglages nécessaires étant donné qu'une panne ou un mauvais équilibrage de l'automatisme peut provoquer des blessures.
- Les matériaux de l'emballage du produit doivent être mis au rebut dans le plein respect des normes locales en vigueur.
- Éloigner les personnes de la porte lors de son actionnement au moyen des éléments de commande.
- Durant cette opération, contrôler l'automatisme et s'assurer que les

personnes restent bien à une distance de sécurité jusqu'à la fin de la manœuvre.

- Ne pas activer le produit lorsque des personnes effectuent des travaux sur l'automatisme ; débrancher l'alimentation électrique avant de permettre la réalisation de ces travaux.
- Tout câble d'alimentation détérioré doit être remplacé par le fabricant, ou par son service d'assistance technique, ou par un technicien possédant son même niveau de qualification, de manière à prévenir tout risque.

INSTRUCTIONS D'INSTALLATION

- Avant d'installer la motorisation, il faut éliminer tout câble inutile et mettre hors service tout appareil n'étant pas nécessaire au fonctionnement motorisé.
- Si le portail à automatiser est équipé d'une porte piétonne, préparer l'installation avec un système de contrôle qui désactive le fonctionnement du moteur lorsque la porte piétonne est ouverte.
- S'assurer que les éléments de commande sont bien à l'écart des organes en mouvement tout en restant directement visibles. Sous réserve de l'utilisation d'un sélecteur, les éléments de commande doivent être installés à une hauteur minimale de 1,5 m et ne doivent pas être accessibles.
- Prévenir et éviter toute possibilité de coincement entre les parties en mouvement et les parties fixes durant les manœuvres.
- Apposer de façon fixe et définitive l'étiquette concernant la manœuvre manuelle près de l'élément qui la permet.
- Après l'installation de la motorisation s'assurer que le mécanisme, le système de protection et toute manœuvre manuelle fonctionnent correctement.

2 DESCRIPTION DU PRODUIT ET DESTINATION

Le présent produit est destiné à être utilisé pour automatiser des portails ou des portes battantes à vantaux.

ATTENTION ! – Toute utilisation autre que celle décrite et dans des conditions ambiantes différentes de celles indiquées dans ce manuel doit être considérée impropre et interdite !

Le produit est un motoréducteur électromécanique. Le motoréducteur est alimenté par la centrale de commande externe à laquelle il doit être raccordé.

En cas de coupure de l'énergie électrique (black-out), il est possible de déplacer le vantail du portail en débloquent le motoréducteur à l'aide de la clé prévue ; pour effectuer la manœuvre manuelle, voir chapitre 8.

Il produit est disponible dans la version :

- BFAB5024 avec encodeur, adapté aux centrales mod. MC824H.
- LFAB4024 avec encodeur, adapté aux centrales mod. MC824H.
- LFAB4000 avec encodeur, adapté aux centrales mod. A6F / A60.

ATTENTION ! – Ne pas utiliser les motoréducteurs avec des centrales qui ne seraient pas compatibles.

3 INSTALLATION

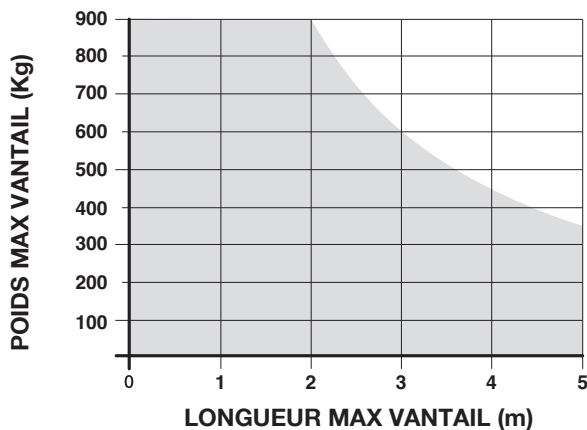
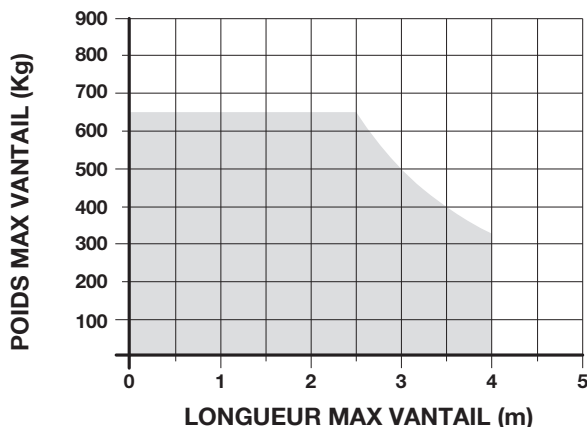
3.1 - Vérifications préalables à l'installation

Avant de procéder à l'installation, il faut vérifier le bon état des composants du produit, la conformité du modèle choisi et l'adéquation du local destiné à l'installation.

IMPORTANT – Le motoréducteur ne peut pas automatiser un portail manuel qui ne serait pas doté d'une structure mécanique efficace et sûre. Il ne peut pas non plus résoudre les défauts causés par une installation erronée ou par une mauvaise maintenance du portail.

3.2 - Adéquation du portail à automatiser et du milieu environnant

- Vérifier que la structure mécanique du portail soit adéquate pour être automatisée et conforme aux normes en vigueur sur le territoire (consulter éventuellement les données reprises sur l'étiquette du portail).
- En déplaçant manuellement le vantail du portail en Ouverture et en Fermeture, vérifier que le mouvement ait lieu avec un frottement égal et constant en chaque point de la course (il ne doit pas y avoir de moments de plus grand effort).

GRAPHIQUE 1 (mod. BFAB5024)**GRAPHIQUE 1** (mod. LFAB4024 / LFAB4000)

- Vérifier que le vantail du portail reste en équilibre, c'est-à-dire qu'il ne bouge pas s'il est situé manuellement dans une position quelconque et laissé immobile.
- Vérifier que l'espace autour du motoréducteur permette de débloquent manuellement les vantaux du portail, de façon aisée et sûre.
- Prévoir des arrêtoirs de fin de course au sol tant pour l'ouverture que pour la fermeture du portail.
- Vérifier que la zone de fixation du motoréducteur soit compatible avec les dimensions de ce dernier (fig. 1).

3.3 - Limites d'utilisation du produit

Avant d'installer le produit, vérifiez que le vantail du portail présente des dimensions et un poids compris dans les limites reprises au **graphique 1**; évaluez aussi les conditions climatiques (ex. vent fort) existantes dans le lieu d'installation, elles peuvent réduire considérablement les valeurs reprises sur le graphique.

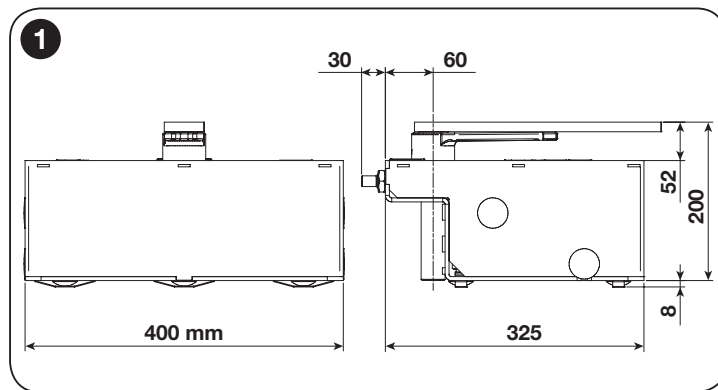
3.4 - Travaux de pré-installation

La **fig. 2** montre un exemple d'installation d'automatisation exécutée avec des composants Nice. Ces composants sont placés selon un schéma typique et habituel.

En se basant sur la **fig. 2**, définissez la position approximative où sera installé chaque composant prévu sur l'installation ainsi que le schéma de raccordement le plus approprié.

3.5 - Fixation : Dimensions d'encombrement et positionnement de la caisse de fondation

- 1 Creuser un trou de grandes dimensions pour y placer le caisson de fondation (**fig. 3**) : prévoir un conduit de drainage de l'eau pour éviter toute stagnation.
- 2 Si le portail dispose de ses butées mécaniques (**fig. 3**) passer directement au point 3. A défaut de butées, fixer au caisson l'accessoire de fin de course d'ouverture (voir paragraphe 4).
- 3 Placer la caisse à l'intérieur du trou avec le pivot aligné avec l'axe de la charnière (**fig. 3**);
- 4 Prévoir un conduit pour les câbles électriques et un autre pour le drainage;
- 5 Noyer dans le béton la caisse de fondation en vérifiant sa mise à niveau;
- 6 Positionner sur le pivot de la caisse le étrier de commande en veillant à interposer la bille fournie (**fig. 4**);



- 7 Poser la battant du portail sur le levier de débrayage et fixer avec une soudure robuste;
- 8 Graisser au moyen de la buse de graissage.

3.6 - Installation de l'opérateur LFAB(...) / BFAB(...)

- 1 Enlever les écrous et les rondelles indiqués sur la figure de droite (**fig. 5**).
- 2 Placer l'opérateur à l'intérieur de la caisse de fondation en veillant à le positionner dans le bon sens.
- 3 Bloquer l'opérateur avec les rondelles et les écrous enlevés précédemment.
- 4 Raccorder l'opérateur au portail avec le levier de raccordement (2) (**fig. 4**).

4 POSITIONNEMENT DES FINS DE COURSE

Voir la **fig. 6**.

5 RACCORDEMENTS ÉLECTRIQUES

Mises en garde :

- Le motoréducteur est doté d'un câble d'alimentation électrique d'une longueur de 2 m. Par conséquent, s'il fallait couvrir une distance supérieure pour effectuer les connexions électriques, il faudra utiliser une boîte de dérivation (non fournie). **IMPORTANT ! – Il est interdit d'effectuer des ajouts de câble électrique à l'intérieur de la caisse de fondation.**
- **Effectuer les raccordements électriques après avoir débranché l'alimentation de secteur.**

Pour connecter le câble d'alimentation à la centrale de commande, consulter le manuel de la centrale et les indications suivantes :

- Pour les modèles **LFAB4024** et **LFAB4000**, brancher les câbles comme suit:

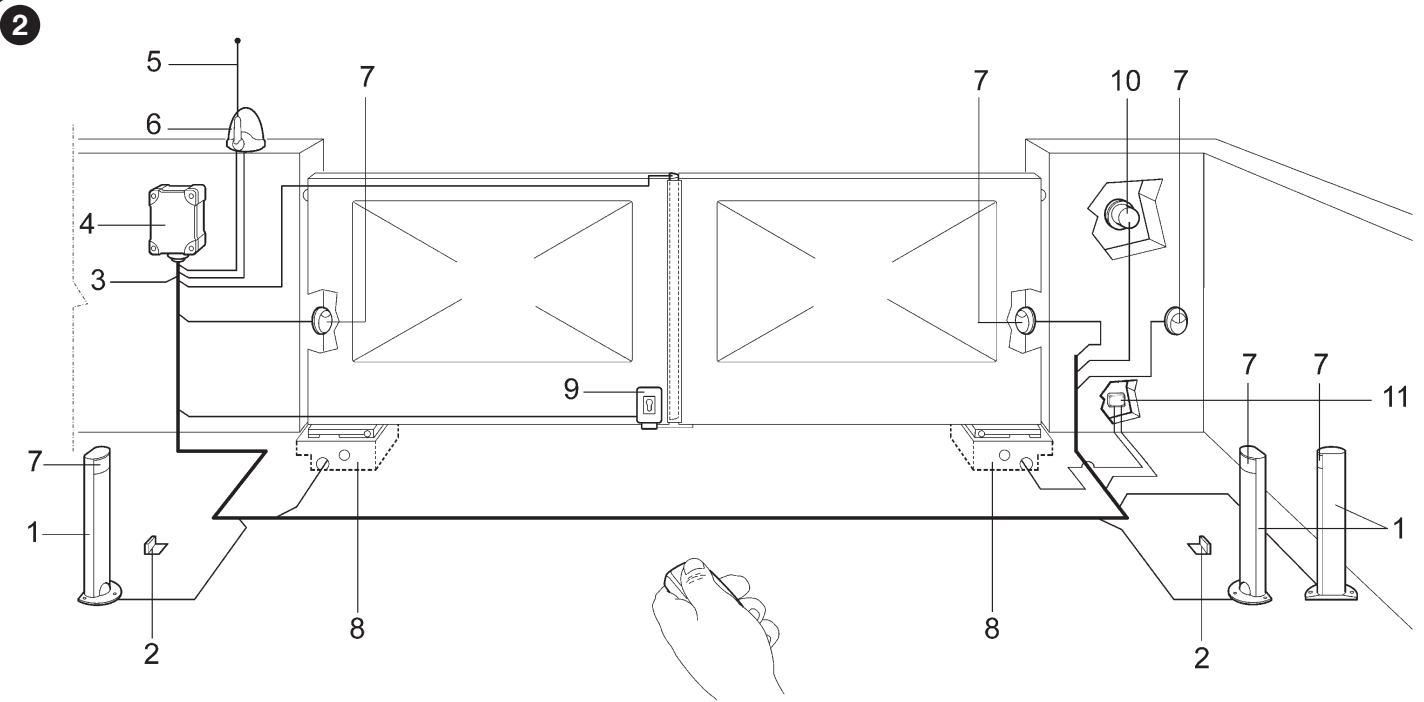
FIL	RACCORDEMENT
fil Noir	Phase « ouverture »
fil Marron	Phase « fermeture »
fil Gris	Commun
fil Jaune/Vert	Terre

- Pour le modèle **BFAB5024**, brancher les câbles comme suit:

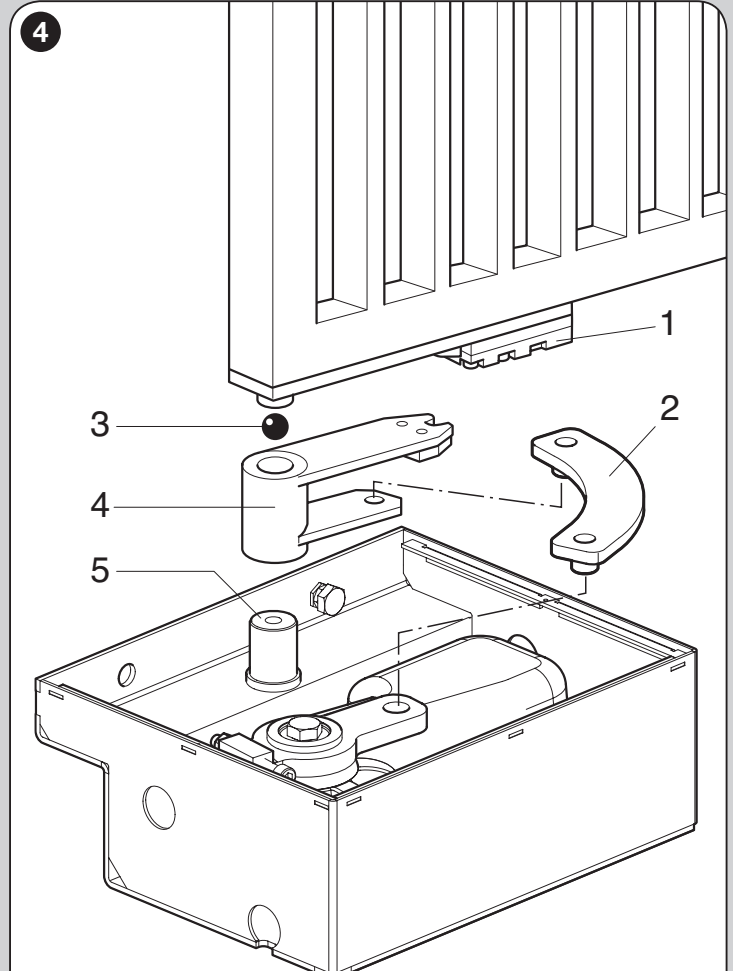
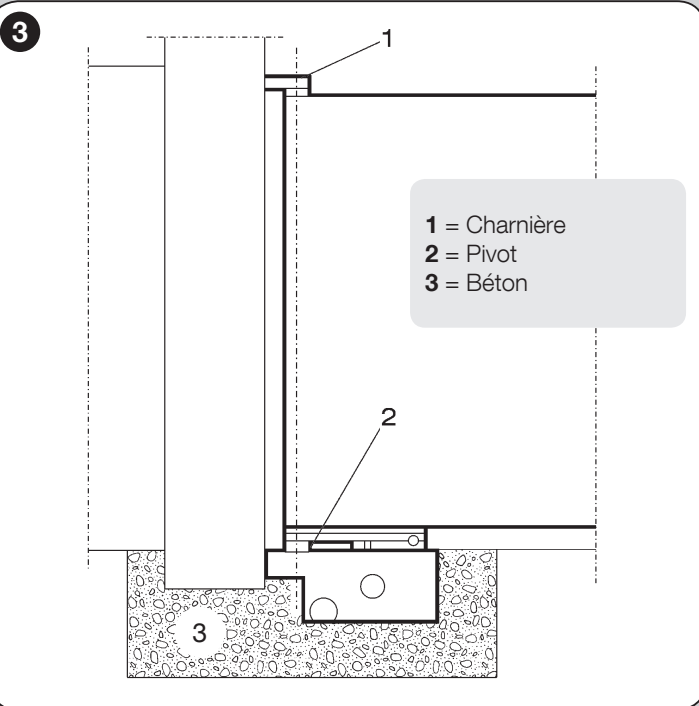
FIL	RACCORDEMENT
fil Bleu	Alimentation moteur 24 V
fil Marron	Alimentation moteur 24 V
fil Noir	Encodeur
fil Gris	Encodeur
fil Jaune/Vert	Terre

5.1 - Accessoires sur demande

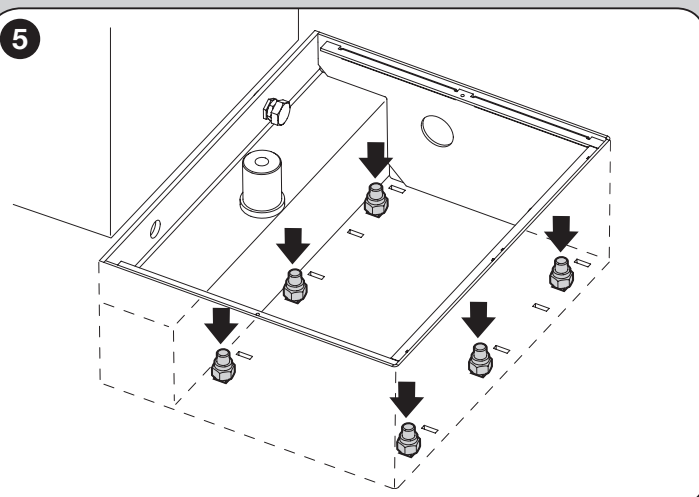
- PLA10 Serrure électrique 12 Vca verticale
- PLA11 Serrure électrique 12 Vca horizontale
- BMA1 Dispositif pour ouverture à 360°
- MEA2 Débrayage à serrure
- MEA3 Débrayage à levier



- | | | |
|--|---|--|
| 1 Colonne pour photocellule | 5 Antenne | 9 Serrure électrique |
| 2 Couple d'arrêts en ouverture | 6 Clignotant | 10 Sélecteur à clef ou clavier numérique |
| 3 Ligne 230 V | 7 Photocellule | 11 Boîte de dérivation (non fournie) |
| 4 Armoire de commande (armoire électrique) | 8 Caisse avec opérateur LFAB(...) / BFAB(...) | |



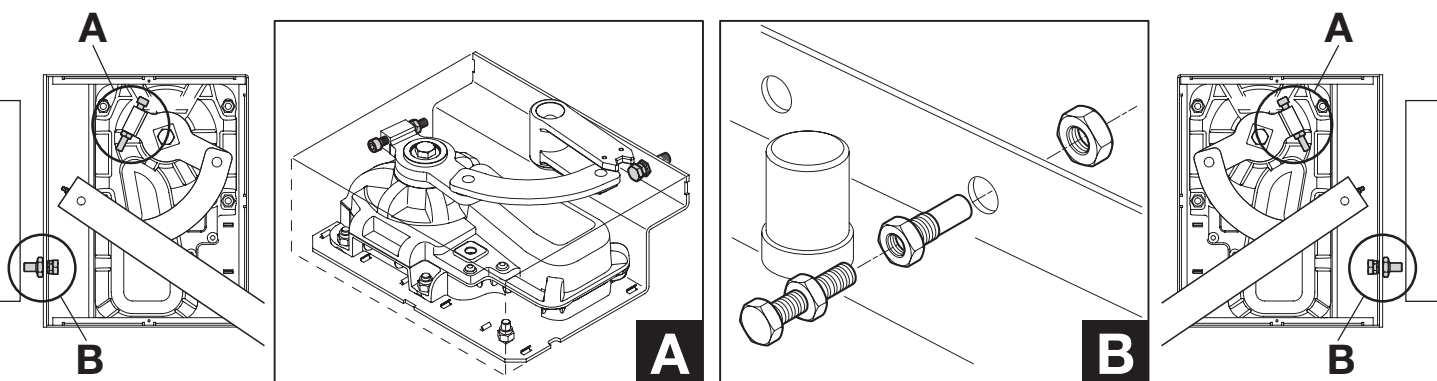
- 1 = Levier de débrayage
2 = Levier de raccordement
3 = Bille
4 = Étrier de commande
5 = Pivot



6

A - Fin de course de fermeture (forni avec le moteur). Fixer comme indiqué sur la fig. A.

B - Fin de course de ouverture (forni avec la caisse). Fixer comme indiqué sur la fig. B.



6 TEST ET MISE EN SERVICE

Ceci constitue la phase la plus importante de la réalisation de l'automatisation afin de garantir le maximum de sécurité de l'installation. La procédure de test décrite peut aussi être utilisée pour vérifier périodiquement les dispositifs qui composent l'automatisme.

Les phases de test et de mise en service de l'automatisme doivent être effectuées par du personnel qualifié et expert qui devra se charger de définir les essais nécessaires pour vérifier les solutions adoptées vis-à-vis des risques présents et de vérifier le respect de toutes les dispositions prévues par les lois, les normes et les règlements : en particulier, de toutes les exigences de la norme EN 13241-1 qui établit les méthodes de test pour la vérification des automatismes pour portails.

6.1 - Test

Chaque composant individuel de l'automatisme, par exemple les bords sensibles, les photocellules, l'arrêt d'urgence, etc., requiert une phase de test spécifique ; pour ces dispositifs, il faut suivre les procédures reprises dans les manuels d'instructions respectifs.

Pour l'essai de LFAB(...) / BFAB(...), suivre cette procédure :

- 1 Vérifier d'avoir respecté scrupuleusement, en matière de sécurité, ce qui est prévu au chapitre 1 - Mises en garde et précautions générales de sécurité.
- 2 Situer le portail dans la position de fermeture.
- 3 **ATTENTION ! - Débrancher toutes les sources d'alimentation électrique à la centrale de commande.**
- 4 Débloquer le motoréducteur à l'aide de la clé appropriée (lire le Chapitre 8).
- 5 Ouvrir manuellement le vantail jusqu'à atteindre la position d'ouverture maximale et vérifier que pendant son mouvement, il n'y ait pas de points de frottement.
- 6 Vérifier que le vantail, laissé immobile dans une position quelconque de sa course, ne bouge pas.
- 7 Vérifier que les systèmes de sécurité et les arrêteurs mécaniques soient en bon état.
- 8 Vérifier que les connexions à vis soient serrées fermement.
- 9 Le cas échéant, nettoyer l'intérieur de la caisse de fondation et vérifier que l'écoulement de l'eau fonctionne correctement.
- 10 Bloquer le motoréducteur à l'aide de la clé appropriée (lire le Chapitre 8).
- 11 Brancher l'alimentation électrique à la centrale de commande.
- 12 Effectuer la mesure de la force d'impact selon les dispositions prévues par la norme EN 12445. Si le contrôle de la "force moteur" est utilisé par la Centrale comme auxiliaire au système pour la réduction de la force d'impact, essayer de régler les fonctions qui offrent de meilleurs paramètres. LFAB(...) / BFAB(...) n'est pas équipé du dispositif de réglage du couple, ce réglage est donc assuré par la logique de commande.
- 13 Fixer de façon permanente, dans une zone adjacente à l'automatisme, une étiquette qui décrit comment débloquer manuellement le motoréducteur.

6.2 - Mise en service

La mise en service ne peut avoir lieu qu'après avoir effectué positivement toutes les phases de test du motoréducteur et des autres dispositifs présents. Pour effectuer la mise en service, consulter le manuel d'instructions de la Centrale de commande.

IMPORTANT - La mise en service partielle ou en situations "provisoires" est interdite.

7 MAINTENANCE DU PRODUIT

La maintenance de LFAB(...) / BFAB(...) ne requiert pas d'opérations particulières mais un contrôle programmé au moins tous les six mois permet de garantir à l'opérateur une plus longue durée et d'assurer un fonctionnement correct et sûr du système.

La maintenance consiste simplement à répéter la procédure de contrôle.

ÉLIMINATION DU PRODUIT

Le produit est partie intégrante de l'automatisation et doit donc être éliminé avec celle-ci.

Comme pour les opérations d'installation, même à la fin de la vie de ce produit, les opérations de démantèlement doivent être effectuées par un personnel qualifié.

Ce produit est composé de différents types de matériaux : certains peuvent être recyclés, d'autres doivent être éliminés. S'informer sur les systèmes de recyclage ou de mise au rebut prévus par les règlements en vigueur sur le territoire, pour cette catégorie de produit.

Attention ! - Certaines parties du produit peuvent contenir des substances polluantes ou dangereuses qui, si dispersées dans l'environnement, pourraient provoquer des effets nocifs sur l'environnement et sur la santé humaine.

Comme indiqué par le symbole ci-contre, il est interdit de jeter ce produit dans les déchets domestiques. Effectuer une "collecte séparée" pour la mise au rebut, selon les méthodes prévues par les règlements en vigueur sur le territoire, ou amener le produit au vendeur au moment de l'achat d'un nouveau produit équivalent.



Attention ! - les règlements en vigueur au niveau local peuvent prévoir de lourdes sanctions en cas de mise au rebut abusif de ce produit.

8 Instructions et conseils à l'attention de l'utilisateur du motoréducteur

Même si l'automatisme en votre possession satisfait le niveau de sécurité requis par les normes, cela n'exclut pas la persistance d'un "risque résiduel", c'est-à-dire la possibilité de situations de danger dues généralement à une utilisation inconsciente, voire erronée. C'est la raison pour laquelle nous désirons vous donner quelques conseils sur les comportements à adopter pour éviter tout inconvénient.

- **Avant d'utiliser pour la première fois l'automatisme**, faites-vous expliquer par l'installateur l'origine des risques résiduels et consacrez quelques minutes à la lecture du manuel d'instructions et d'avertissements pour l'utilisateur qui vous est remis par l'installateur. Conservez le manuel pour pouvoir le consulter pour n'importe quel doute futur et remettez-le à tout nouveau propriétaire de l'automatisme.

ATTENTION ! – Votre automatisme est une machine qui exécute fidèlement vos commandes ; une utilisation inconsciente et impropre peut la rendre dangereuses :

- Ne commandez pas le mouvement de l'automatisme si des personnes, animaux ou choses se trouvent dans son rayon d'action.
- Éloigner les personnes de la porte lors de son actionnement au moyen des éléments de commande.
- Durant cette opération, contrôler l'automatisme et s'assurer que les personnes restent bien à une distance de sécurité jusqu'à la fin de la manœuvre.
- Il est strictement interdit de toucher toute partie de l'automatisme pendant que le portail ou la porte est en mouvement !
- Les photocellules ne sont pas un dispositif de sécurité mais seulement un dispositif auxiliaire de sécurité. Elles sont fabriquées avec une technologie hautement fiable mais peuvent, dans des situations extrêmes, subir des dysfonctionnements ou même tomber en panne et, dans certains cas, la panne pourrait ne pas être immédiatement évidente. Pour ces raisons, pendant l'utilisation de l'automatisme, il faut faire attention aux mises en garde suivantes :
 - Le passage n'est permis que si le portail ou la porte est complètement ouverte et avec les vantaux immobiles
 - IL EST STRICTEMENT INTERDIT de passer pendant que le portail ou la porte se renferme !
 - Vérifier périodiquement le fonctionnement correct des photocellules et faire exécuter les contrôle de maintenance prévus, au moins tous les 6 mois.

• Enfants :

- Le produit n'est pas destiné à être utilisé par des personnes (y compris des enfants) aux capacités physiques, sensorielles ou mentales réduites, ou manquant d'expérience ou de connaissances.
- Les enfants ne doivent pas jouer avec l'appareil.
- Ne pas laisser les enfants jouer avec les dispositifs de commande du produit. Conserver les émetteurs hors de la portée des enfants.
- Le nettoyage et la maintenance qui doivent être effectués par l'utilisateur ne doivent pas être confiés à des enfants sans surveillance.

- **Anomalies** : en cas d'un comportement anormal quelconque de l'auto-

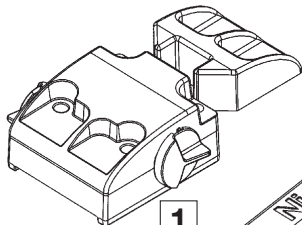
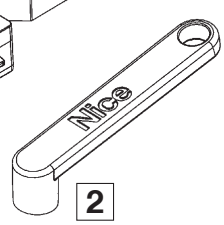
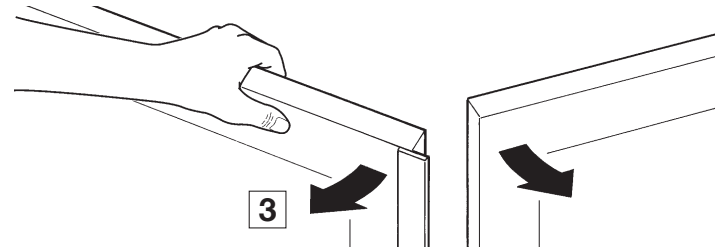
matisation, débrancher l'alimentation électrique de l'installation et effectuer le déblocage manuel du motoréducteur (voir manuel d'instructions correspondant) pour faire fonctionner manuellement le portail. N'effectuer aucune réparation de bricolage mais demander l'intervention de votre installateur de confiance.

- **Maintenance** : une maintenance régulière (tous les 6 mois) est nécessaire afin de maintenir le niveau de sécurité constant et de garantir la durée maximale de toute l'automatisation. **Toute intervention de contrôle, maintenance ou réparation ne doit être effectuée que par du personnel qualifié.**
 - Avant toute intervention (maintenance, nettoyage), il faut toujours débrancher le produit du secteur.
 - Ne pas activer le produit lorsque des personnes effectuent des travaux sur l'automatisme ; débrancher l'alimentation électrique avant de permettre la réalisation de ces travaux.
- **Ne pas modifier l'installation et les paramètres de programmation et de réglage de la centrale de commande : la responsabilité est de votre installateur.**
- **Le test, les opérations de maintenance périodique et les réparations éventuelles doivent être documentés par celui qui effectue le travail.** Les documents doivent être conservés par le propriétaire de l'installation. Les seules interventions que l'utilisateur peut effectuer périodiquement sont le nettoyage des vitres de photocellules (utiliser un chiffon souple et légèrement humide) et l'enlèvement des feuilles et des cailloux éventuels qui pourraient gêner l'automatisme. **Important** – Avant de procéder, pour empêcher que quelqu'un puisse actionner le portail par inadvertance, débloquent manuellement le motoréducteur (voir le manuel d'instructions correspondant).
- **Élimination** : à la fin de la vie de l'automatisation, assurez-vous que l'élimination soit effectuée par du personnel qualifié et que les matériaux soient recyclés ou éliminés selon les normes valables au niveau local.
- **Rupture ou absence d'alimentation** : dans l'attente de l'intervention de votre installateur ou du retour de l'énergie électrique, si l'installation n'est pas dotée de batteries tampon, l'automatisation peut cependant être utilisée : il faut effectuer le déblocage manuel du motoréducteur (voir ci-dessous le paragraphe à ce sujet) et déplacer le vantail du portail manuellement comme souhaité.

DÉBLOQUER ET BLOQUER MANUELEMENT LE MOTORÉDUCTEUR

Le motoréducteur est doté d'un système mécanique qui permet d'ouvrir et de fermer le portail manuellement.

Ces opérations manuelles doivent être effectuées en cas de manque de courant électrique ou d'anomalies de fonctionnement.

	Débrayage à CLÉ type MEA2	Débrayage à levier type MEA3
1	Abaissier le couvercle de la serrure.	
2	Introduire la clef et la tourner de 90° dans le sens des aiguilles d'une montre.	
3	Agir manuellement sur le battant. ATTENTION ! – Pour rétablir le fonctionnement automatique, reverrouiller le portail avec la clé (tourner la clé de 90°, en sens inverse des aiguilles).	

Durabilité du produit

La durabilité représente la vie économique moyenne du produit. La valeur de la durabilité est fortement influencée par l'indice de la pénibilité des manœuvres effectuées par l'automatisme : c'est-à-dire la somme de tous les facteurs qui contribuent à l'usure du produit (voir Tableau 1).

L'estimation de durabilité s'effectue sur la base des calculs conceptuels et des résultats de tests effectués sur prototypes. Étant donné qu'il s'agit en effet d'une estimation, elle ne constitue aucune garantie sur la durée effective du produit.

Pour établir la durabilité probable de votre automatisme, procéder de la façon suivante :

01. Calculer l'**indice de pénibilité** en additionnant entre elles les valeurs en pourcentage des entrées présentes sur le **Tableau 1**.
02. Sur le **Graphique A** à partir de la valeur que l'on vient de trouver, tracer une ligne verticale jusqu'à croiser la courbe ; ensuite tracer une ligne horizontale jusqu'à croiser la ligne des "cycles de manœuvres". La valeur déterminée représente la **durabilité estimée** de votre produit.

Exemple du calcul de durabilité d'un motoréducteur LFAB(...)/BFAB(...).
Se référer au **Tableau 1** et au **Graphique A**:

- 1) - Longueur du vantail : 3 m
- 2) - Poids du vantail : 500 kg = indice de pénibilité : 30%.
- 3) - Installation dans des zones venteuses = indice de pénibilité : 15%.
- 4) - Non présents d'autres éléments de fatigue.

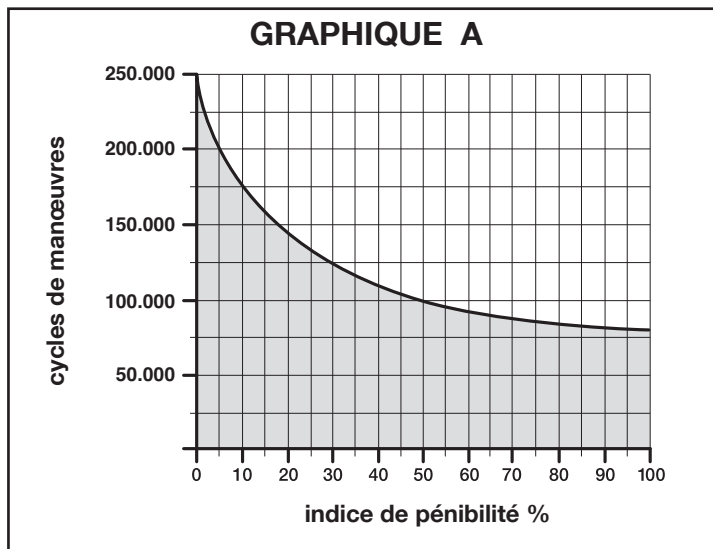
Indice de pénibilité totale = 45%

Durabilité estimée = 110.000 cycles de manœuvre

TABLEAU 1

Longueur du vantail (m)	≥ 2.00	2.01 ÷ 3.00	3.01 ÷ 4.00	4.01 ÷ 5.00
Poids du vantail (kg)	Indice de pénibilité			
≤ 150	0 %	10 %	20 %	30 %
151 ÷ 350	10 %	20 %	30 %	40 %
351 ÷ 550	20 %	30 %	40 %	50 %
551 ÷ 750	30 %	40 %	50 %	–
751 ÷ 900	40 %	50 %	–	–
Température ambiante supérieure à 40°C ou inférieure à 0°C ou humidité supérieure à 80%				15 %
Vantail plein				20 %
Installation dans une zone venteuse				15 %

GRAPHIQUE A



CARACTÉRISTIQUES TECHNIQUES DU PRODUIT

MISES EN GARDE : • Toutes les caractéristiques techniques reprises se réfèrent à une température ambiante de 20°C (± 5°C). • Nice S.p.a. se réserve le droit d'apporter des modifications au produit à chaque fois qu'elle le jugera nécessaire, tout en conservant cependant ses fonctions et sa destination d'usage.

	BFAB5024	LFAB4024	LFAB4000
Type	Motoréducteur électromécanique pour portails ou portes battantes à vantaux		
Alimentation	24 V ===	24 V ===	230 V ~
Absorption de pic	7 A	5 A	1,5 A
Absorption maximale	2 A	1,5 A	1 A
Puissance de pic	170 W	120 W	340 W
Puissance maximale	50 W	36 W	180 W
Condensateur incorporé	–		7µF
Degré de protection	IP 67		
Course	de 0° à 110° ou de 360°		
Vitesse à vide	0,8 rpm	1 rpm (1,25 rpm*)	0,85 rpm
Vitesse au couple nominal	0,65 rpm	0,85 rpm	0,65 rpm
Couple maximum	400 Nm	300 Nm	500 Nm
Couple nominal	100 Nm	75 Nm	125 Nm
Température de fonctionnement	de -20 °C à +50 °C		
Cycles/heure au couple nominal	45	60	20
Durabilité	Estimée entre 100.000 et 250.000 cycles de manœuvres environ, selon les conditions reprises au Tableau 1		
Dimensions	230 mm x 206 mm x h 88 mm	375 mm x 225 mm x h 110 mm	
Poids	15 kg (motoréducteur avec caisse de fondation)	12,5 kg	14,3 kg

(*) - Valeur référence à une alimentation de 30V.

1 ADVERTENCIAS Y PRECAUCIONES GENERALES PARA LA SEGURIDAD

ADVERTENCIAS GENERALES

- **¡ATENCIÓN!** - Instrucciones importantes para la seguridad. Seguir todas las instrucciones: una instalación incorrecta puede provocar daños graves.
- **¡ATENCIÓN!** - Instrucciones importantes para la seguridad. Para la seguridad de las personas es importante seguir estas instrucciones. Conservar estas instrucciones.
- Antes de comenzar la instalación, verificar las "Características técnicas del producto" (en este manual) y asegurarse de que el producto sea adecuado para la automatización en cuestión. NO proceder con la instalación si el producto no es adecuado.
- El producto no se puede utilizar sin haber llevado a cabo las operaciones de puesta en servicio especificadas en el apartado "Ensayo y puesta en servicio".
- **¡ATENCIÓN!** - Según la legislación europea más reciente, la realización de una automatización debe respetar las normas armonizadas previstas por la Directiva Máquinas vigente, que permiten declarar la presunción de conformidad de la automatización. Considerando todo esto, las operaciones de conexión a la red eléctrica, ensayo, puesta en servicio y mantenimiento del producto deberán ser llevadas a cabo exclusivamente por un técnico cualificado y competente.
- Antes de proceder a la instalación del producto, comprobar que todo el material que se vaya a utilizar esté en perfectas condiciones y sea apto para el uso.
- **¡ATENCIÓN!** - Para evitar cualquier peligro debido al restablecimiento accidental del interruptor térmico, el aparato no debe alimentarse mediante un dispositivo de maniobra externo, como un temporizador, ni debe conectarse a un circuito que regularmente se conecte y desconecte de la alimentación.
- En la red de alimentación de la instalación, colocar un dispositivo de desconexión (no suministrado) con una distancia de apertura de los contactos que permita la desconexión completa en las condiciones dictadas por la categoría de sobretensión III.
- Durante la instalación, tratar el producto con cuidado evitando aplastamientos, caídas o contactos con cualquier tipo de líquido. No colocar el producto cerca de fuentes de calor y no exponerlo a llamas libres. Todas estas acciones pueden dañarlo y provocar defectos de funcionamiento o situaciones de peligro. En tal caso, suspender inmediatamente la instalación y acudir al Servicio de Asistencia.
- El fabricante no asume ninguna responsabilidad ante daños patrimoniales, de bienes o de personas, derivados del incumplimiento de las instrucciones de montaje. En estos casos, la garantía por defectos de material queda sin efecto.
- El nivel de presión acústica de la emisión ponderada A es inferior a 70 dB(A).
- Antes de realizar cualquier operación en la instalación (limpieza, mantenimiento) hay que desconectar el aparato de la red de alimentación.
- Inspeccionar la instalación con frecuencia, especialmente los cables, muelles y soportes, a fin de detectar posibles desequilibrios y marcas de desgaste o daños. No utilizar la instalación si es necesaria una reparación o una regulación: una avería en la instalación o un equilibrio incorrecto de la automatización puede provocar lesiones.
- El material del embalaje del producto debe desecharse en plena conformidad con la normativa local.
- Mantener a las personas alejadas al accionar el movimiento de la puerta mediante los elementos de mando.
- Durante la ejecución de una maniobra, controlar la automatización y asegurarse de que las personas se mantengan alejadas hasta que termine el movimiento.

- No poner en funcionamiento el producto cuando en sus proximidades se estén realizando tareas en la automatización; es necesario desconectar la fuente de alimentación antes de realizar estas tareas.
- Si el cable de alimentación está dañado, debe ser sustituido por el fabricante o por el servicio de asistencia técnica o por una persona con una calificación similar, para prevenir cualquier riesgo.

ADVERTENCIAS DE INSTALACIÓN

- Antes de instalar el motor de accionamiento, comprobar que todos los órganos mecánicos estén en buenas condiciones y bien equilibrados y que la automatización se abra y se cierre correctamente.
- Si la cancela que se desea automatizar incluye una puerta peatonal, es necesario preparar la instalación con un sistema de control que inhabilite el funcionamiento del motor cuando la puerta peatonal esté abierta.
- Asegurarse de que los elementos de mando se mantengan lejos de los órganos en movimiento, permitiendo la visión directa. A no ser que se utilice un selector, los elementos de mando se deben instalar a una altura mínima de 1,5 m y no deben quedar accesibles.
- Prevenir y evitar cualquier forma de atrapamiento entre las partes en movimiento y las partes fijas durante las maniobras.
- Fijar de manera permanente la etiqueta relativa a la maniobra manual cerca del órgano de maniobra.
- Después de instalar el motor de accionamiento, asegurarse de que el mecanismo, el sistema de protección y todas las maniobras manuales funcionen correctamente.

2 DESCRIPCIÓN DEL PRODUCTO Y DESTINACIÓN DE USO

Este producto está destinado a ser usado para automatizar cancelas o portales de hojas batientes.

¡ATENCIÓN! - ¡Cualquier uso diferente del uso descrito y en condiciones ambientales diferentes de las indicadas en este manual debe considerarse impropio y prohibido!

El producto es un motorreductor electromecánico. El motorreductor se alimenta desde la central de mando externa a la que se debe conectar.

En caso de interrupción de la energía eléctrica (black-out), es posible mover las hojas de la cancela desbloqueando el motorreductor con la llave apropiada; para la maniobra manual véase la sección 8.

El producto está disponible en la versión:

- BFAB5024 con encoder, adecuado para centrales mod. MC824H.
- LFAB4024 con encoder, adecuado para centrales mod. MC824H.
- LFAB4000 con encoder, adecuado para centrales mod. A6F / A60.

¡ATENCIÓN! - No utilice los motorreductores con centrales no compatibles.

3 INSTALACIÓN

3.1 - Controles previos a la instalación

Antes de efectuar la instalación, es necesario comprobar que los componentes del producto estén en perfectas condiciones, que el modelo elegido sea adecuado y que el ambiente destinado a la instalación sea idóneo.

IMPORTANTE - El motorreductor no puede automatizar una cancela manual que no tenga una estructura mecánica eficiente y segura. Además, no puede solucionar los defectos causados por una instalación errónea o un mantenimiento incorrecto de la misma.

3.2 - Idoneidad de la cancela que se va a automatizar y del ambiente circundante

- Controle que la estructura mecánica de la cancela se pueda automatizar y esté en conformidad con las normas vigentes en el territorio (eventualmente consulte los datos reproducidos en la etiqueta de la cancela).
- Moviendo manualmente la hoja de la cancela en Apertura y en Cierre, controle que el movimiento tenga lugar con una fricción igual y constante en todos los puntos del movimiento (no deben haber momentos de mayor esfuerzo).
- Controle que la hoja de la cancela se mantenga en equilibrio, es decir, que no se mueva si se desplaza manualmente a cualquier posición y se deja detenida.
- Controle que el espacio alrededor del motorreductor permita desbloquear manualmente las hojas de la cancela, de manera fácil y segura.

GRÁFICO 1 (mod. BFAB5024)

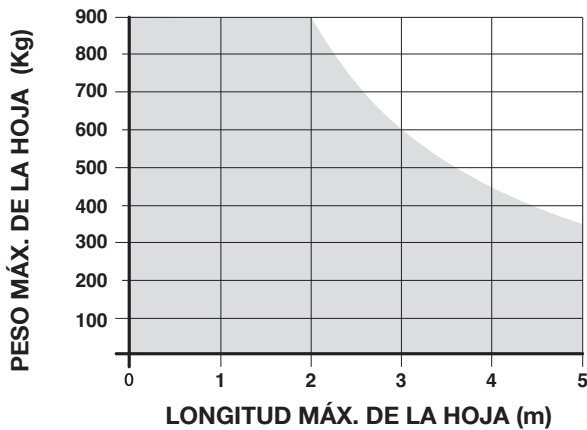
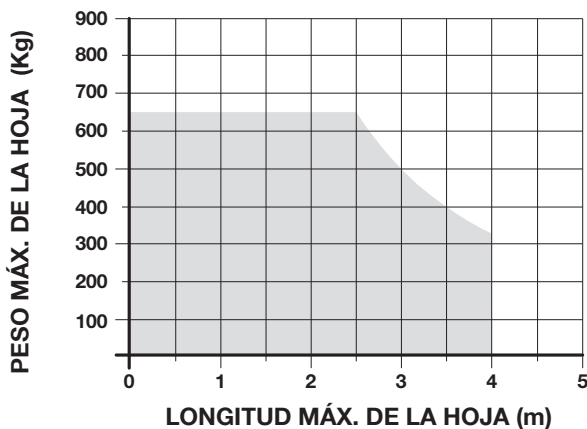


GRÁFICO 1 (mod. LFAB4024 / LFAB4000)



- Posicione topes de fin de carrera en el suelo, tanto para la apertura como para el cierre de la cancela.
- Controle que la zona de fijación del motorreductor sea compatible con las dimensiones globales del mismo (**fig. 1**).

3.3 - Límites de uso del producto

Antes de instalar el producto, controle que las dimensiones y el peso de la hoja de la cancela estén dentro de los límites que se muestran en el **gráfico 1**; evalúe también las condiciones climáticas (ej. viento fuerte) presentes en el lugar de la instalación, ya que pueden reducir considerablemente los valores mostrados en el gráfico.

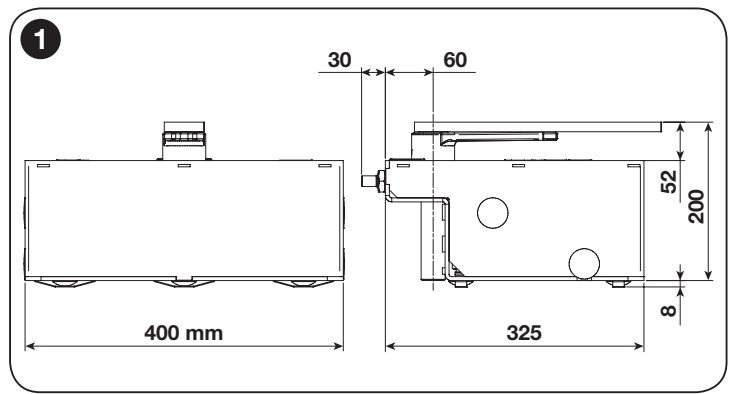
3.4 - Trabajos de preparación para la instalación

La **fig. 2** muestra un ejemplo de instalación de automatización realizado con componentes Nice. Estos componentes se posicionan según un esquema típico y usual.

Consultando la **fig. 2**, establezca la posición aproximativa en la que se instalará cada componente previsto en la instalación, y el esquema de conexión más apropiado.

3.5 - Fijación: Medidas y colocación de la caja de cimentación

- 1 Realice un pozo de cimentación de dimensiones amplias para colocar la caja de cimentación (**fig. 3**): instale una tubería de desagüe para el drenaje del agua a fin de evitar el estancamiento.
- 2 Si la puerta incorporara sus finales de carrera mecánicos (**fig. 2**), pase directamente al punto 3. En caso contrario, fije a la caja el accesorio para el final de carrera de apertura (véase el apartado 4).
- 3 Coloque la caja adentro de la excavación, con el perno alineado con el eje de la bisagra (**fig. 3**).
- 4 Haga llegar un tubo para que pasen los cables eléctricos y uno para el drenaje.
- 5 Sumerja en el hormigón la caja de cimentación, nivelándola correctamente.
- 6 Introduzca en el perno de la caja la brida de mando, interponiendo la bola suministrada (**fig. 4**).
- 7 Apoye la hoja de la puerta sobre la palanca de desbloqueo y suéldela perfectamente.
- 8 Engrase mediante la boquilla de engrase.



3.6 - Instalación del motorreductor LFAB(...) / BFAB(...)

- 1 Quite las tuercas y arandelas indicadas en la figura de la derecha (**fig. 5**).
- 2 Coloque el motorreductor en el interior de la caja de cimentación, controlando que quede montado en el sentido exacto.
- 3 Bloquee el motorreductor con las arandelas y tuercas que antes había quitado.
- 4 Conecte el motorreductor a la puerta, utilizando la palanca de conexión (2) (**fig. 4**).

4 INSTALACIÓN DE LOS FINES DE CARRERA

Véase la **fig. 6**.

5 CONEXIONES ELÉCTRICAS

Advertencias:

- El motorreductor se entrega con un cable de alimentación eléctrica de 2 m de largo. Por tanto, si se necesita cubrir una distancia mayor para las conexiones eléctricas, es necesario utilizar una caja de derivación (no suministrada). **¡IMPORTANTE! – Se prohíbe alargar el cable eléctrico dentro de la caja de cimentación.**
- Realice las conexiones eléctricas con la alimentación de red desconectada.

Para conectar el cable de alimentación a la central de mando, véase el manual de la misma y las siguientes indicaciones:

- Para el **LFAB4024** y **LFAB4000** conecte los cables de la siguiente manera:

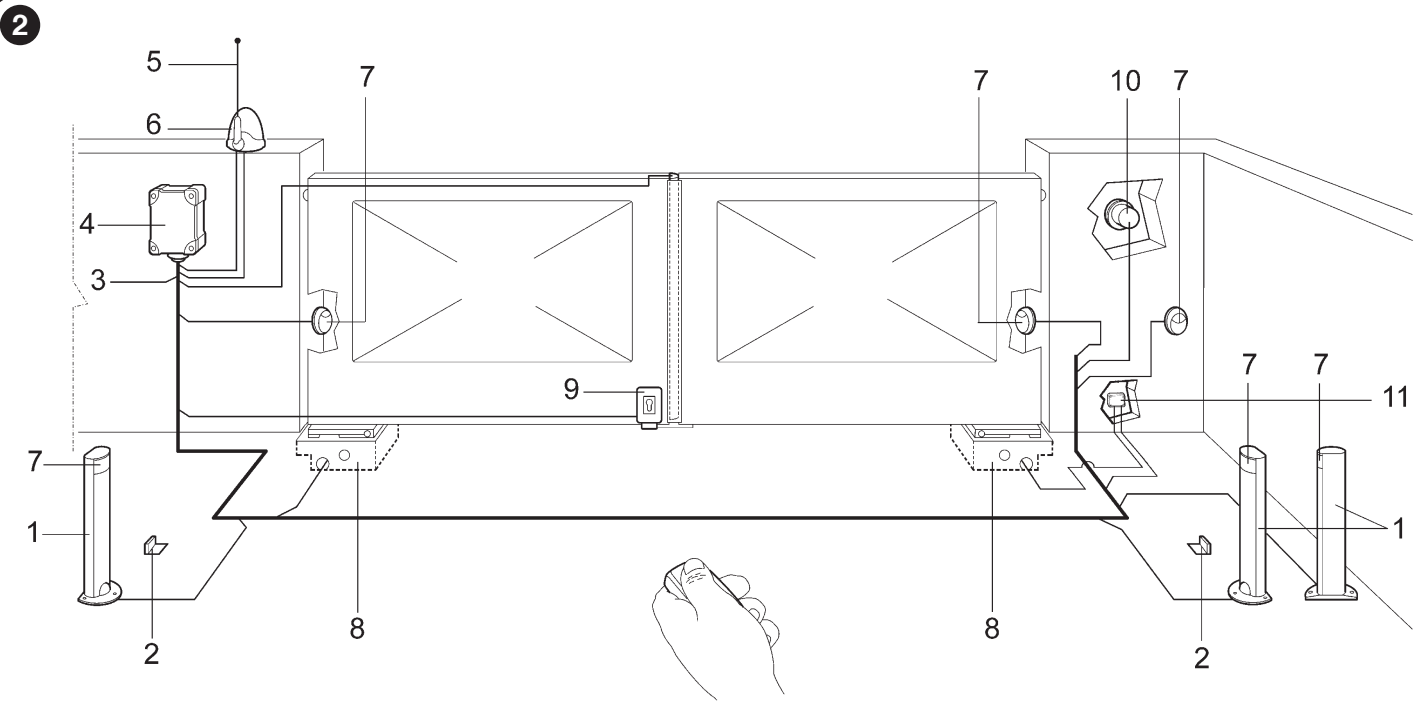
CABLE	CONEXIONE
cable Negro	Fase "abrir"
cable Marrón	Fase "cerrar"
cable Gris	Común
cable Amarillo-verde	Tierra

- Para el **BFAB5024** conecte los cables de la siguiente manera:

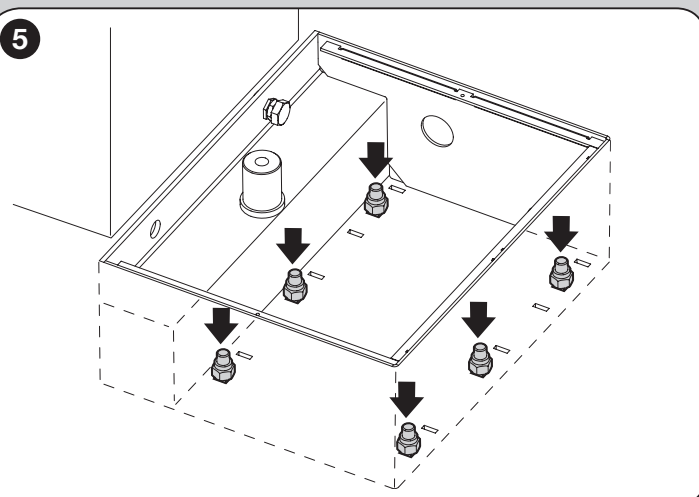
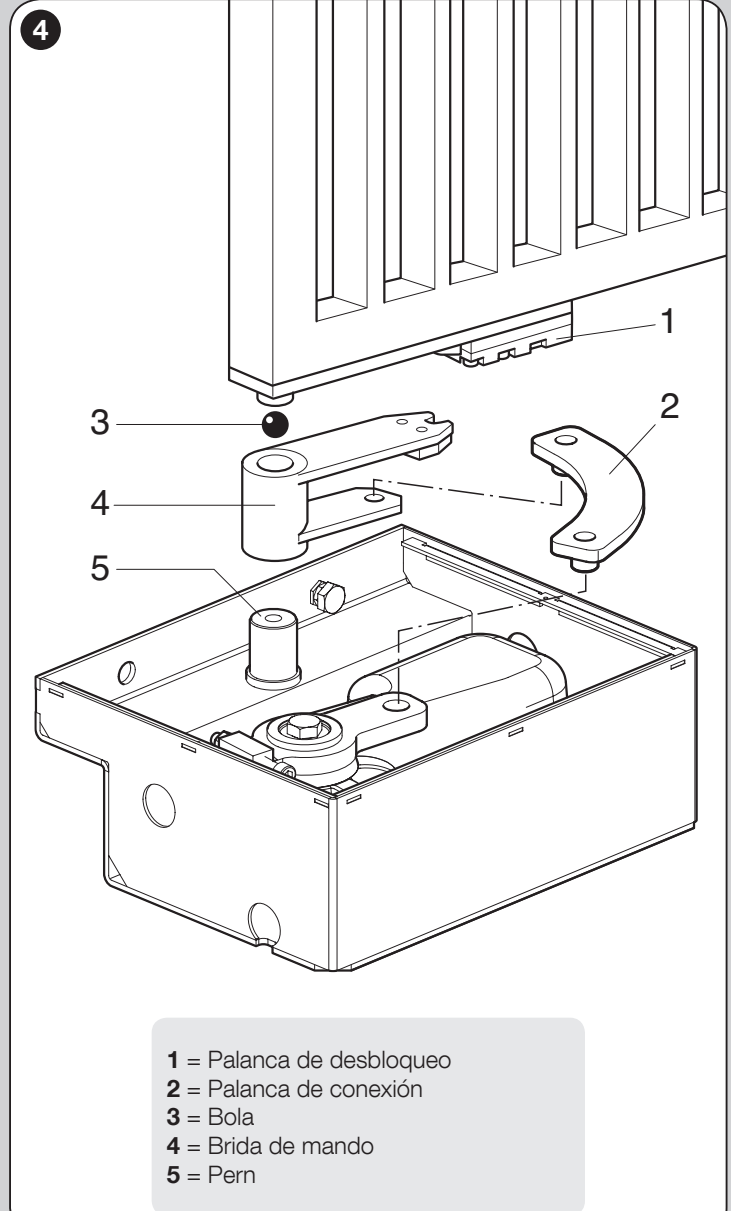
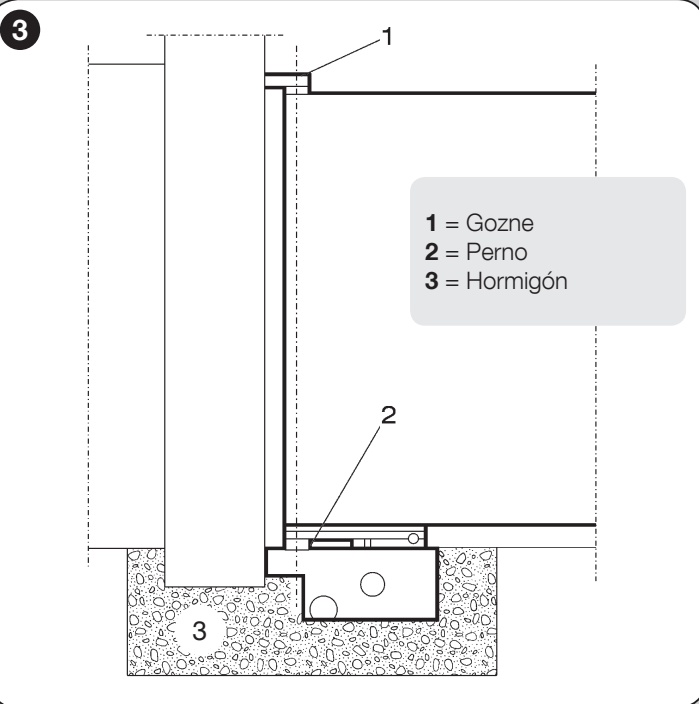
CABLE	CONEXIONE
cable Azul	Alimentación del motor de 24 V
cable Marrón	Alimentación del motor de 24 V
cable Negro	Encoder
cable Gris	Encoder
cable Amarillo-verde	Tierra

5.1 - Accesorios bajo pedido

- PLA10 Electrocerradura 12 Vca vertical
- PLA11 Electrocerradura 12 Vca horizontal
- BMA1 Dispositivo para apertura a 360°
- MEA2 Desbloqueo con cerradura
- MEA3 Desbloqueo con palanca específica

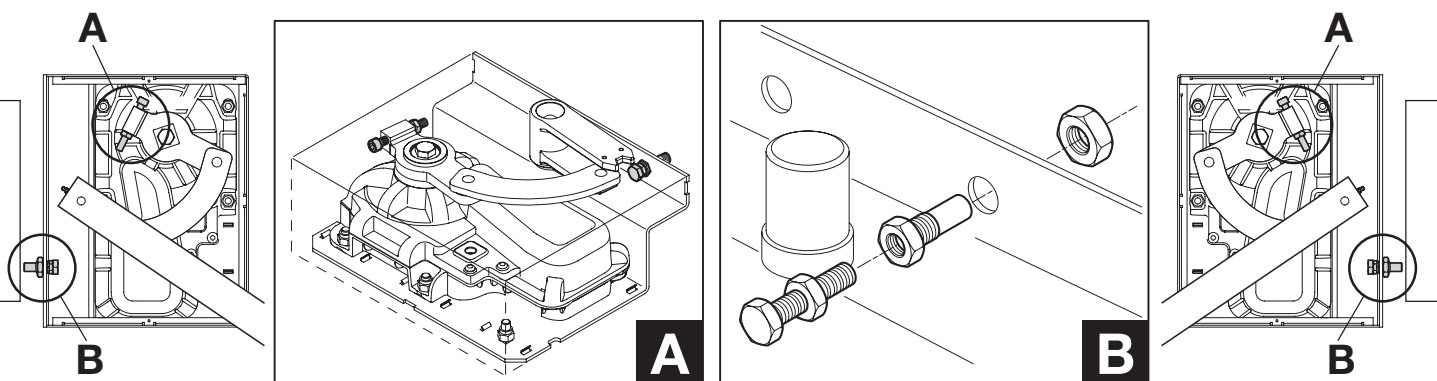


- | | | |
|---------------------------------------|---|---|
| 1 Columna para fotocélula | 5 Antena | 9 Electrocerradura vertical |
| 2 Par de topes de apertura | 6 Luz intermitente | 10 Selector de llave o teclado digital |
| 3 Línea 230V | 7 Fotocélula | 11 Caja de derivación (no suministrada) |
| 4 Cuadro de mando (central eléctrica) | 8 Caja con actuador LFAB(...)/BFAB(...) | |



6

A - Fin de carrera de cierre (suministrado con el motor). Fije como se muestra en la fig. A.
B - Fin de carrera de apertura (suministrado con la caja). Fije como se muestra en la fig. B.



6 INSPECCIÓN Y PRUEBAS Y PUESTA EN SERVICIO

Esta es la fase más importante en la realización del automatismo, para garantizar la máxima seguridad de la instalación. El procedimiento de inspección y pruebas descrito se puede usar también para controlar periódicamente los dispositivos que componen el automatismo.

Las fases de inspección y pruebas y de la puesta en servicio del automatismo las debe realizar personal calificado y experto, que se deberá encargar de establecer las pruebas necesarias para comprobar las soluciones adoptadas en cuanto a los riesgos presentes, y de controlar que se respete lo previsto por las leyes, las normativas y los reglamentos: especialmente, de todos los requisitos de la norma EN 13241-1, que establece los métodos de prueba para controlar los automatismos para cancelas.

6.1 - Inspección y pruebas

Todos los componentes del automatismo, como los bordes sensibles, las fotocélulas, la parada de emergencia, etc. requieren una fase específica de inspección y pruebas; para estos dispositivos se deben realizar los procedimientos que se muestran en los respectivos manuales de instrucciones.

Para el ensayo de LFAB(...) / BFAB(...) siga este procedimiento:

- 1 Controle que se haya respetado rigurosamente, en materia de seguridad, lo previsto en el capítulo 1 - Advertencias y precauciones generales para la seguridad.
- 2 Lleve la cancela a la posición de cierre.
- 3 **¡ATENCIÓN!** – Quite cualquier fuente de alimentación eléctrica a la central de mando.
- 4 Desbloquee el motorreductor con la llave apropiada (lea el Capítulo 8).
- 5 Abra manualmente la hoja hasta alcanzar la posición de máxima apertura y controle que durante su movimiento no hayan puntos de fricción.
- 6 Controle que la hoja detenida en cualquier posición de su movimiento, no se mueva.
- 7 Controle que los sistemas de seguridad de los retenes mecánicos estén en buen estado.
- 8 Controle que las conexiones de tornillo estén bien apretadas.
- 9 De ser necesario, limpie el interior de la caja de cimentación y controle que la descarga del agua funcione correctamente.
- 10 Bloquee el motorreductor con la llave apropiada (lea el Capítulo 8).
- 11 Conecte la alimentación eléctrica a la central de mando.
- 12 Mida la fuerza de impacto según lo previsto por la norma EN 12445. Si el control de la "fuerza del motor" lo usa la Central como ayuda al sistema para la reducción de la fuerza de impacto, trate de regular las funciones que ofrecen parámetros mejores. LFAB(...) / BFAB(...) no está dotado de dispositivo de regulación de par; por lo tanto, dicha regulación la realiza la central de mando.
- 13 Fije permanentemente, en una zona adyacente al automatismo, una etiqueta que describe como desbloquear manualmente el motorreductor.

6.2 - Puesta en servicio

La puesta en servicio puede tener lugar solo después de haber llevado a cabo con éxito todas las fases de inspección y pruebas del motorreductor y de los otros dispositivos presentes. Para la puesta en servicio consulte el manual de instrucciones de la Central de mando.

IMPORTANTE – Se prohíbe la puesta en servicio parcial o en situaciones "provisionales".

7 MANTENIMIENTO DEL PRODUCTO

El mantenimiento de LFAB(...) / BFAB(...) no requiere grandes trabajos; un control programado cada seis meses permite una mayor duración del motorreductor y un funcionamiento correcto y seguro del sistema.

El mantenimiento consiste simplemente en repetir el procedimiento de ensayo.

ELIMINACIÓN DEL PRODUCTO

Este producto constituye parte integrante del automatismo, por lo que se debe eliminar junto con él.

Al igual que para las operaciones de instalación, al final de la vida útil de este producto, las operaciones de desguace también deben ser llevadas a cabo por personal cualificado.

Este producto está formado por diversos tipos de materiales: algunos de ellos se pueden reciclar, pero otros deben eliminarse. Infórmese acerca de los sistemas de reciclaje o eliminación previstos por los reglamentos vigentes en su territorio para esta categoría de producto.

¡Atención! – Algunos componentes del producto pueden contener sustancias contaminantes o peligrosas que, si se liberan al medio ambiente, podrían tener efectos nocivos sobre el medio ambiente y sobre la salud de las personas.

Como indica el símbolo de al lado, se prohíbe desechar este producto junto con los residuos domésticos. Así pues, lleve a cabo la separación de los residuos según los métodos previstos por los reglamentos vigentes en su territorio, o entregue el producto al vendedor cuando adquiera uno nuevo equivalente.



¡Atención! – Los reglamentos vigentes a nivel local pueden prever graves sanciones en caso de eliminación incorrecta de este producto.

8 Instrucciones y advertencias destinadas al utilizador del motorreductor

Aunque bien su automatización satisfaga el nivel de seguridad requerido por las normativas, esto no excluye la existencia de un "riesgo residual", es decir, la posibilidad de que se puedan crear situaciones de peligro causadas por un uso inconsciente o incorrecto. Por dicho motivo, a continuación le damos algunos consejos sobre cómo comportarse para evitar inconvenientes.

- **Antes de usar por primera vez la automatización**, pida a su instalador que le explique el origen de los riesgos residuales y lea este manual de **instrucciones y advertencias para el usuario** entregado por el instalador. Conserve el manual por cualquier problema que pueda surgir y recuerde entregarlo a un posible nuevo dueño de la automatización.

¡ATENCIÓN! – Su automatismo es una máquina que lleva a cabo fielmente los mandos que se le dan, por tanto, un uso inconsciente e inadecuado lo puede volver peligroso:

- No ordene el movimiento del automatismo si en su rayo de acción se encuentran personas, animales o cosas.
- Mantener a las personas alejadas al accionar el movimiento de la puerta mediante los elementos de mando.
- Durante la ejecución de una maniobra, controlar la automatización y asegurarse de que las personas se mantengan alejadas hasta que termine el movimiento.
- **¡Se prohíbe absolutamente tocar las partes del automatismo mientras la cancela o el portal están en movimiento!**
- Las fotocélulas no son un dispositivo de seguridad, sino solo un dispositivo auxiliar para la misma. Están fabricadas con tecnología de altísima fiabilidad, pero en situación extremas, podrían sufrir problemas de funcionamiento o incluso averiarse, y en algunos casos la avería podría no encontrarse al instante. Por esta razón durante el uso del automatismo es necesario prestar atención a las siguientes advertencias:
 - Se permite el tránsito solo si la cancela o portal están completamente abiertos o con las hojas detenidas
 - **¡SE PROHÍBE ABSOLUTAMENTE transitar mientras la cancela o el portón se están cerrando!**
 - Controle periódicamente el funcionamiento correcto de las fotocélulas y haga realizar los controles de mantenimiento previstos, al menos cada 6 meses.

- **Niños:**
 - El producto no puede ser utilizado por los niños ni por personas con discapacidades físicas, sensoriales o mentales, o bien carentes de experiencia o conocimiento.
 - Los niños no deben jugar con el aparato.
 - No permitir que los niños jueguen con los dispositivos de mando del producto. Mantener los mandos a distancia fuera del alcance de los niños.
 - La limpieza y el mantenimiento del aparato deben ser efectuados por el usuario y no por niños sin vigilancia.
- **Anomalías:** si se nota cualquier comportamiento anómalo del automatismo, quite la alimentación eléctrica de la instalación y bloquee manualmente el motorreductor (véase el respectivo manual de instrucciones), para hacer

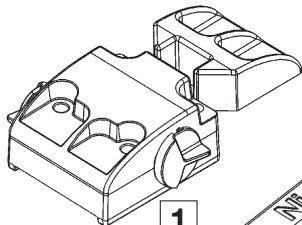
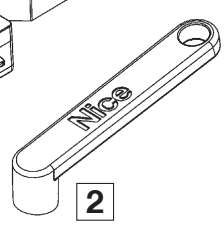
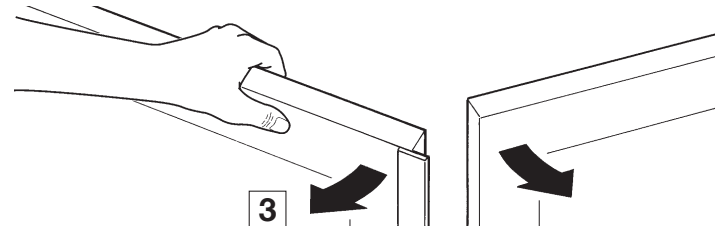
funcionar manualmente la cancela. No lleve a cabo reparaciones sin ayuda, solicite la intervención de su instalador de confianza.

- **Mantenimiento:** para mantener constante el nivel de seguridad y para garantizar la máxima duración del sistema completo de automatización es necesario efectuar un mantenimiento regular (cada 6 meses). **Cualquier intervención de control, mantenimiento o reparación la debe realizar solo personal calificado.**
 - Antes de realizar cualquier operación en la instalación (limpieza, mantenimiento) hay que desconectar el aparato de la red de alimentación.
 - No poner en funcionamiento el producto cuando en sus proximidades se estén realizando tareas en la automatización; es necesario desconectar la fuente de alimentación antes de realizar estas tareas.
- **No modifique la instalación y los parámetros de programación y de regulación de la central de mando: la responsabilidad es de su instalador.**
- **La inspección y pruebas, los mantenimientos periódicos y las posibles reparaciones las debe documentar quien los realiza.** Los documentos los debe conservar el propietario de la instalación. Las únicas intervenciones que el usuario puede realizar periódicamente, son la limpieza de los cristales de las fotocélulas (utilice un paño suave y humedecido) y la eliminación de posibles hojas o piedras que podrían obstaculizar el automatismo. **Importante** – Antes de continuar, para impedir que alguien pueda accionar inesperadamente la cancela, desbloquee manualmente el motorreductor (véase respectivo manual de instrucciones).
- **Eliminación:** al final de la vida útil del automatismo, asegúrese de que la demolición la realice personal calificado y que los materiales se reciclen o eliminen según las normas válidas a nivel local.
- **Rotura o ausencia de alimentación eléctrica:** mientras se espera la intervención de su instalador o el regreso de la corriente eléctrica, si la instalación no tiene baterías tampón, el automatismo se puede utilizar igualmente: se debe desbloquear manualmente el motorreductor (véase a continuación la sección correspondiente) y mover la hoja de la cancela manualmente como se desea.

DESBLOQUEAR Y BLOQUEAR EL MOTORREDUCTOR MANUALMENTE

El motorreductor tiene un sistema mecánico que permite abrir y cerrar la cancela manualmente.

Estas operaciones manuales se deben realizar en los casos de falta de corriente eléctrica o de anomalías de funcionamiento.

	Desbloqueo con LLAVE tipo MEA2	Desbloqueo con palanca tipo MEA3
1	Baje la tapa que cubre la cerradura.	
2	Introduzca la llave y gírela 90° en el sentido horario.	
3	Mueva manualmente la hoja. ¡ATENCIÓN! – Para restablecer el funcionamiento automático, rebloquear la cancela con la llave (girar la llave 90°, en el sentido antihorario).	

Durabilidad del producto

La durabilidad es la vida económica media del producto. El valor de la durabilidad está influenciado fuertemente por el índice de esfuerzo de las maniobras realizadas por el automatismo: es decir, la suma de todos los factores que contribuyen al desgaste del producto (véase Tabla 1).

La estimación de durabilidad se realiza sobre la base de los cálculos de proyecto y de los resultados de pruebas realizadas con prototipos. De hecho, siendo una estimación, no representa ninguna garantía en la efectiva duración del producto.

Para establecer la durabilidad probable de su automatismo actúe de la siguiente manera:

01. Calcule el índice de esfuerzo sumando entre ellos los valores en porcentaje de las voces presentes en la **Tabla 1**.
02. En el **Gráfico A** desde el valor obtenido, trace una línea vertical hasta cruzarse con la curva, desde este punto trace una línea horizontal hasta cruzarse con la línea de los "ciclos de maniobras". El valor determinado es la durabilidad estimada de su producto.

Exemple du calcul de durabilité d'un motoréducteur LFAB(...) / BFAB(...).
Se référer au Tableau 1 et au Graphique A:

- 1) - Longitud de la hoja: 3 m
- 2) - Peso de la hoja: 500 kg = índice esfuerzo: 30%.
- 3) - Instalación en zonas ventosas = índice de esfuerzo: 15%.
- 4) - Sin otros elementos de esfuerzo.

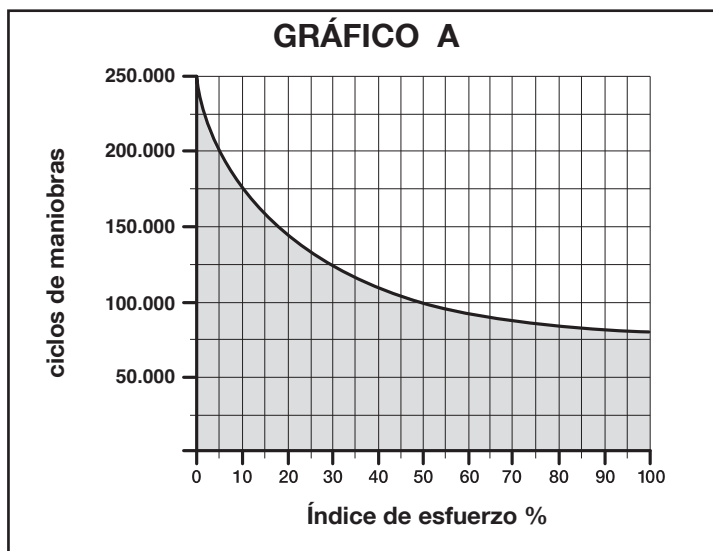
Índice de esfuerzo total = 45%

Durabilidad estimada = 110.000 ciclos de maniobras

TABLA 1

Longitud de la hoja (m)	≥ 2.00	2.01 ÷ 3.00	3.01 ÷ 4.00	4.01 ÷ 5.00
Peso de la hoja (kg)	Índice de esfuerzo			
≤ 150	0 %	10 %	20 %	30 %
151 ÷ 350	10 %	20 %	30 %	40 %
351 ÷ 550	20 %	30 %	40 %	50 %
551 ÷ 750	30 %	40 %	50 %	–
751 ÷ 900	40 %	50 %	–	–
Temperatura ambiental superior a 40 °C o inferior a 0 °C o humedad superior al 80%				15 %
Hoja ciega				20 %
Instalación en zona ventosa				15 %

GRÁFICO A



CARACTERÍSTICAS TÉCNICAS DEL PRODUCTO

ADVERTENCIAS: • Todas las características técnicas indicadas se refieren a una temperatura ambiental de 20 °C (± 5 °C). • Nice S.p.a. se reserva el derecho a modificar el producto cuando lo considere necesario, conservando sin embargo la misma funcionalidad y destino de uso.

	BFAB5024	LFAB4024	LFAB4000
Tipo	Motorreductor electromecánico para cancelas o portales de hojas batientes		
Alimentación	24 V ===	24 V ===	230 V ~
Consumo de pico	7 A	5 A	1,5 A
Consumo máximo	2 A	1,5 A	1 A
Potencia de pico	170 W	120 W	340 W
Potencia máxima	50 W	36 W	180 W
Condensador incorporado	–		7µF
Grado de protección	IP 67		
Movimiento	desde 0 hasta 110° o 360°		
Velocidad en vacío	0,8 rpm	1 rpm (1,25 rpm*)	0,85 rpm
Velocidad en par nominal	0,65 rpm	0,85 rpm	0,65 rpm
Par máximo	400 Nm	300 Nm	500 Nm
Par nominal	100 Nm	75 Nm	125 Nm
Temperatura de funcionamiento	de -20 °C a +50 °C		
Ciclos/hora en par nominal	45	60	20
Durabilidad	Estimada entre 100.000 y 250.000 ciclos de maniobras aproximadamente, según las condiciones que se muestran en la Tabla 1		
Dimensiones	230 mm x 206 mm x h 88 mm	375 mm x 225 mm x h 110 mm	
Peso	15 kg (motorreductor con caja de cimentación)	12,5 kg	14,3 kg

(*) - Valor referido a una tensión de alimentación de 30 V.

1 ALLGEMEINE SICHERHEITSHINWEISE UND VORSICHTSMASSNAHMEN

ALLGEMEINE HINWEISE

- **ACHTUNG! - Sicherheitsrelevante Anweisungen. Alle Anweisungen strikt einhalten. Unkorrekte Installationen können schwerwiegende Schäden verursachen.**
- **ACHTUNG! - Sicherheitsrelevante Anweisungen. Damit die Sicherheit von Personen gewährleistet ist, die folgenden Anweisungen einhalten. Die vorliegende Anleitung gut aufbewahren.**
- Bevor Sie mit der Installation beginnen, sollten Sie unbedingt die „Technischen Eigenschaften des Produkts“ in dieser Anleitung prüfen, insbesondere ob das vorliegende Produkt zur Automatisierung Ihres gesteuerten Tors oder Rollladens geeignet ist. Das Gerät NICHT installieren, wenn es nicht dafür geeignet ist.
- Das Gerät darf erst verwendet werden, nachdem es wie im Abschnitt „Abnahme und Inbetriebnahme“ beschrieben in Betrieb genommen wurde.
- **ACHTUNG! - Gemäß der neuesten europäischen Gesetzgebung muss die Realisierung einer Automatisierung unter Beachtung der von der geltenden Maschinenrichtlinie vorgesehenen harmonisierten Normen erfolgen, die es erlauben, eine Erklärung über die angenommene Konformität der Automatisierung auszustellen. Unter Beachtung dessen dürfen alle Arbeiten zum Anschluss an das Stromnetz, zur Abnahme, Inbetriebsetzung und Wartung der Vorrichtung nur von einem qualifizierten und kompetenten Fachmann ausgeführt werden.**
- Vor der Installation des Geräts ist sicherzustellen, dass das gesamte Material in technischem einwandfreiem Zustand und für den Einsatzzweck geeignet ist.
- **ACHTUNG! - Um alle Gefahren im Zusammenhang mit einer unvorhergesehenen Rücksetzung der Temperatursicherung zu verhindern, darf dieses Gerät nicht über eine externe Schaltvorrichtung (z. B. eine Zeitschaltuhr) versorgt oder an einen Stromkreis angeschlossen werden, der regelmäßig ein- oder ausgeschaltet wird.**
- Die Stromversorgung der Anlage muss über eine Trennvorrichtung (nicht im Lieferumfang enthalten) ausgeführt sein, deren Öffnungsabstand der Kontakte eine vollständige Unterbrechung gemäß Überspannungskategorie III garantiert.
- Das Produkt bei der Installation vorsichtig handhaben und Quetschungen, Stöße, Herunterfallen sowie den Kontakt mit Flüssigkeiten jeder Art vermeiden. Das Produkt nicht in der Nähe von Wärmequellen positionieren und es keinen offenen Flammen aussetzen. All diese Handlungen können das Produkt beschädigen oder Ursache für Störungen oder Gefahrensituationen sein. In diesen Fällen die Installation unverzüglich abbrechen und den Kundendienst einschalten.
- Der Hersteller haftet nicht für Vermögens-, Personen- oder Sachschäden, die durch Nichtbeachtung der Montageanweisungen entstehen. In diesen Fällen ist die Garantie für Materialfehler ausgeschlossen.
- Der A-bewertete Schalldruckpegel ist geringer als 70 dB(A).
- Das Produkt vor jeder Arbeit an der Anlage (Wartung, Reinigung) immer von der Stromversorgung abtrennen.
- Prüfen Sie die Anlage regelmäßig auf eventuelle Ungleichgewichte, Abnutzungserscheinungen und Schäden insbesondere von Kabeln, Federn und Halterungen. Verwenden Sie das Gerät nicht, wenn eine Reparatur oder Einstellung erforderlich ist, da eine unkorrekte Installation oder ein nicht ordnungsgemäßer Gewichtsungleichgewicht der Automatisierung.
- Das Verpackungsmaterial des Produkts muss entsprechend den einschlägigen Umweltschutzvorschriften entsorgt werden.
- Halten Sie alle anwesenden Personen von der Automatisierung fern,

- wenn diese über die Steuerelemente bewegt wird.
- Während der Ausführung der Bewegung die Automatisierung kontrollieren und Personen solange fernhalten, bis die Bewegung abgeschlossen ist.
- Betätigen Sie das Produkt nicht, wenn in der Nähe Personen an der Automatisierung arbeiten; trennen Sie die Vorrichtung vom Stromnetz, bevor solche Arbeiten ausgeführt werden.
- Wenn das Netzkabel beschädigt ist, muss es vom Hersteller, vom technischen Kundendienst oder von einer Person mit einer ähnlichen Qualifikation ersetzt werden, um so jeder Gefahr vorzubeugen.

INSTALLATIONSHINWEISE

- Vor dem Einbau des Antriebsmotors sicherstellen, dass alle mechanischen Komponenten in einem technisch einwandfreien Zustand sind, sich korrekt im Gleichgewicht befinden und die Automatisierung vorschriftsgemäß bedient werden kann.
- Falls das zu automatisierende Tor mit einem Fußgängerzugang ausgestattet ist, wird es notwendig, an der Anlage ein Kontrollsystem zu installieren, das die Motorfunktion blockiert, wenn der Eingang für Fußgänger offen steht.
- Sicherstellen, dass die Antriebskomponenten einen ausreichenden Abstand zu den Bewegungsteilen haben und nicht die Sicht versperren. Falls kein Wahlschalter verwendet wird, müssen die Antriebskomponenten in einer Höhe von mindestens 1,5 m montiert werden und dürfen nicht zugänglich sein.
- Jede Form des Einklemmens zwischen sich bewegenden und festen Teilen ist bei den Bewegungen vorherzusehen und zu vermeiden.
- Bringen Sie das Etikett für die Bedienung von Hand dauerhaft in der Nähe des Elements an, das die Bewegung selbst erlaubt.
- Nach dem Einbau des Antriebsmotors sicherstellen, dass der gesamte Mechanismus, das Schutzsystem und die manuellen Bedienungsvorgänge ordnungsgemäß funktionieren.

2 BESCHREIBUNG DES PRODUKTS UND BESTIMMUNGSGEMÄSSER GEBRAUCH

Das vorliegende Produkt ist für den Einsatz als Antrieb von Toren mit Torflügeln und ausschließlich im Wohnbereich bestimmt.

ACHTUNG! – Jeglicher Gebrauch, der von den vorliegenden Beschreibungen abweicht oder unter anderen als den in dieser Anleitung angegebenen Umweltbedingungen stattfindet, hat als unsachgemäß und verboten zu gelten!

Das Produkt ist ein elektromechanischer Toröffner. Der Toröffner wird über die externe Steuerung, mit der er verbunden werden muss, mit Strom versorgt.

Bei Unterbrechungen der Stromversorgung (Stromausfall), können die Torflügel bewegt werden, wenn der Torantrieb mit dem entsprechenden Schlüssel entriegelt wird; zur manuellen Bewegung des Tors siehe Kapitel 8.

Das Produkt ist in der Ausführung erhältlich:

- BFAB5024 mit Encoder, geeignet für Steuerungen MC824H.
- LFAB4024 mit Encoder, geeignet für Steuerungen MC824H.
- LFAB4000 mit Encoder, geeignet für Steuerungen A6F / A60.

ACHTUNG! – Torantriebe nicht mit inkompatiblen Steuerungen einsetzen.

3 INSTALLATION

3.1 - Der Installation vorausgehende Kontrollen

Vor Beginn der Installation ist zu überprüfen, ob alle Bauteile des Produkts unbeschädigt sind, ob das gewählte Modell und der für die Installation bestimmte Ort geeignet sind.

WICHTIG – Mit dem Torantrieb kann kein manuelles Tor angetrieben werden, das keinen ausreichenden mechanischen, sicheren Unterbau besitzt. Außerdem kann er Mängel infolge einer falschen Installation oder mangelhaften Wartung des Tores selbst nicht beseitigen.

3.2 - Eignung des zu automatisierenden Tors und der Umgebung

- Überprüfen, ob der mechanische Unterbau des Tors für einen Antrieb geeignet ist und den vor Ort geltenden Bestimmungen genügt (ggf. die auf dem

DIAGRAMM 1 (mod. BFAB5024)

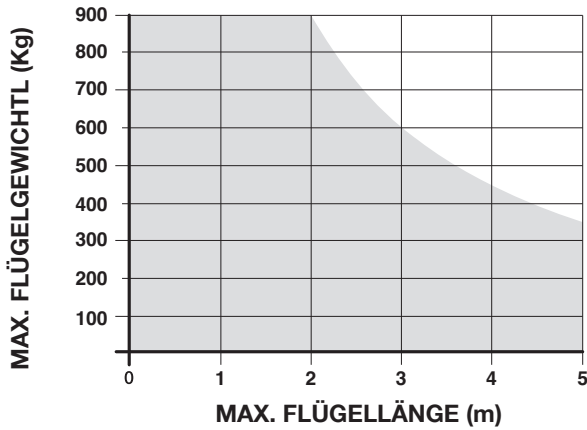
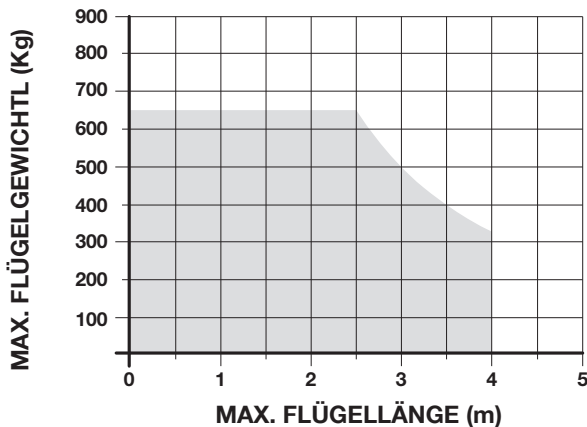


DIAGRAMM 1 (mod. LFAB4024 / LFAB4000)



Typenschild des Tores angegebenen Daten kontrollieren).

- Torflügel manuell öffnen und schließen und prüfen, ob die Bewegung mit an allen Stellen des Weges gleicher und konstanter Reibung erfolgt (es darf keine Stellen mit höherem Kraftaufwand geben).
- Überprüfen, ob der Torflügel im Gleichgewicht bleibt, d. h. dass er sich nicht bewegt, wenn er manuell in eine beliebige Position gebracht und losgelassen wird.
- Überprüfen, ob um den Torantrieb herum genug Platz ist, damit die Torflügel einfach und sicher manuell entriegelt werden können.
- Für das Öffnen und Schließen des Tores sind am Boden feste Endanschläge vorzusehen.
- Überprüfen, ob im Befestigungsbereich des Torantriebs für diesen ausreichend Platz ist (**Abb. 1**).

3.3 - Einsatzgrenzen des Produkts

Vor der Installation des Produkts ist zu prüfen, ob Abmessungen und Gewicht des Torflügels innerhalb der in **Diagramm 1**; angegebenen Grenzen liegen; zu berücksichtigen sind auch die klimatischen Bedingungen (z. B. starker Wind), die am Installationsort vorherrschen und die im Diagramm angegebenen Werte deutlich verringern können.

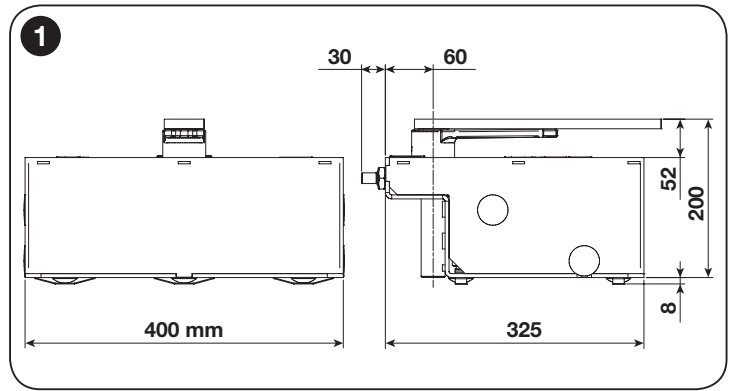
3.4 - Arbeiten zur Vorbereitung der Installation

Abb. 2 zeigt ein Beispiel für eine mit Nice-Bauteilen realisierte Antriebsanlage. Diese Bauteile sind gemäß einem typischen und gebräuchlichen Schema angeordnet.

Entsprechend **Abb. 2**, die ungefähre Position festlegen, an der die einzelnen in der Anlage vorgesehenen Teile installiert werden sollen, sowie den am besten geeigneten Anschlussplan.

3.5 - Befestigung: Gesamtabmessungen und Positionieren des Fundamentkastens

- 1 Ein ausreichend großes Fundament ausgraben, um den Fundamentkasten einzulassen (**Abb. 3**): Eine Auslassleitung für die Wasserdrainage vorsehen, um Wasseransammlungen zu vermeiden.
- 2 Wenn das Tor über eigene mechanische Anschläge verfügt (**Abb. 2**) direkt zu Punkt 3 übergehen. Ansonsten, das Zuberhörteil für den Öffnungsendschalter an den Kasten befestigen (siehe Abschnitt 4).
- 3 Den Fundamentkasten in der Ausgrabung anbringen; der Zapfen muss mit der Achse des Scharniers fluchten (**Abb. 3**).



- 4 Eine Leitung für die Elektrokabel und eine für die Drainage vorsehen.
- 5 Den Fundamentkasten im Beton versenken, genau nivellieren und die Höhe beachten.
- 6 Den Steuerbügel auf den Zapfen des Kastens stecken; die mitgelieferte Kugel zwischenlegen (**Abb. 4**).
- 7 Den Torflügel auf den Entriegelungshebel stützen und fest anschweißen.
- 8 Mit der speziellen Fettbüchse einfetten.

3.6 - Installation des Toröffners LFAB(...) / BFAB(...)

- 1 Die in der Abbildung rechts gezeigten Muttern und Unterlegscheiben entfernen (**Abb. 5**).
- 2 Den Toröffner im Fundamentkasten anbringen; sicher stellen, dass er im richtigen Sinn eingebaut wird.
- 3 Den Antrieb mit den zuvor entfernten Scheiben und Muttern sperren.
- 4 Den Toröffner mit dem Verbindungsbügel (2) mit dem Tor verbinden (**Abb. 4**).

4 POSITIONIEREN DER ENDSCHALTER

Siehe **Abb. 6**.

5 ELEKTRISCHE VERBINDUNGEN

Warnhinweise:

- Der Toröffner wird mit einem 2 m langen Stromversorgungskabel geliefert. Daher muss, wenn ein größerer Abstand für die elektrischen Verbindungen überbrückt werden muss, eine Abzweigdose (nicht mitgeliefert) verwendet werden. **WICHTIG! – Es ist verboten, im Innern des Fundamentkastens zusätzliches Elektrokabel anzuschließen.**
- **Elektrische Verbindungen bei abgetrennter Stromversorgung vornehmen.**

Zum Anschluss des Stromversorgungskabels an die Steuerung siehe deren Anleitung und folgende Anweisungen:

- Für **LFAB4024** und **LFAB4000**, die Kabel wie folgt anschließen:

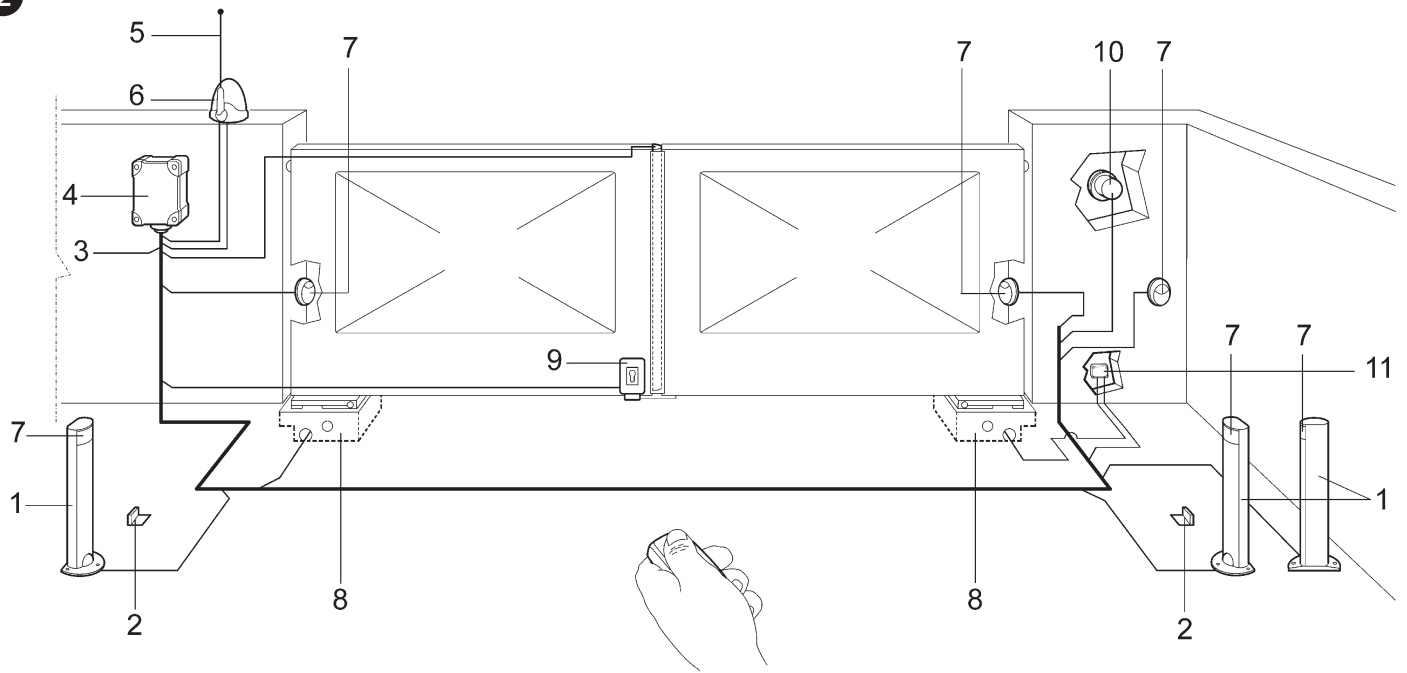
DRAHT	VERBINDUNG
Schwarzer Draht	Phase „öffnet“
Brauner Draht	Phase „schließt“
Grauer Draht	Gemeinsam
Gelb-grüner Draht	Erde

- Für **BFAB5024**, die Kabel wie folgt anschließen:

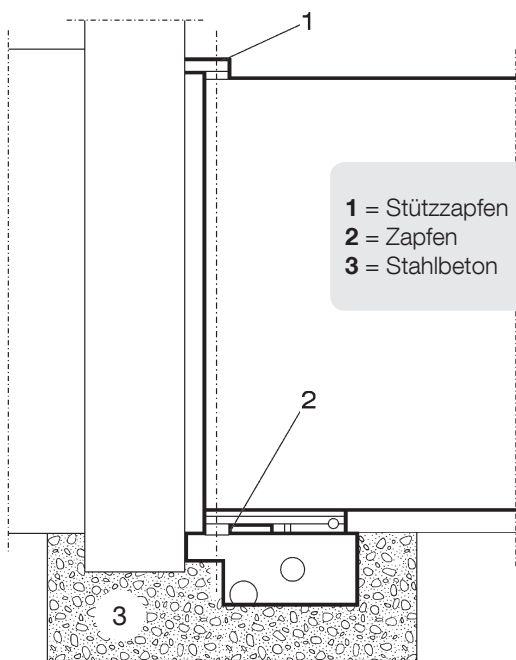
DRAHT	VERBINDUNG
Blauer Draht	Motor-Stromversorgung 24 V
Brauner Draht	Motor-Stromversorgung 24 V
Schwarzer Draht	Encoder
Grauer Draht	Encoder
Gelb-grüner Draht	Erde

5.1 - Sonderzubehör

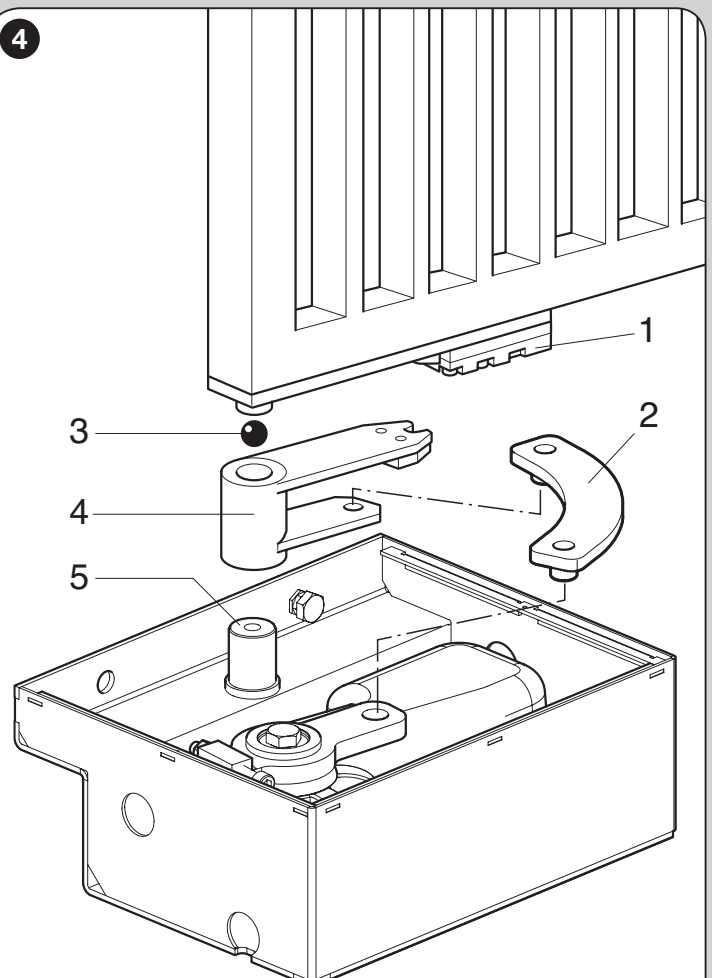
- **PLA10 12Vac Elektroschloss, vertikal**
- **PLA11 12Vac Elektroschloss, horizontal**
- **BMA1 Vorrichtung für 360° Öffnung**
- **MEA2 Entriegelung mit Schloss**
- **MEA3 Entriegelung mit speziellem Hebel**

2

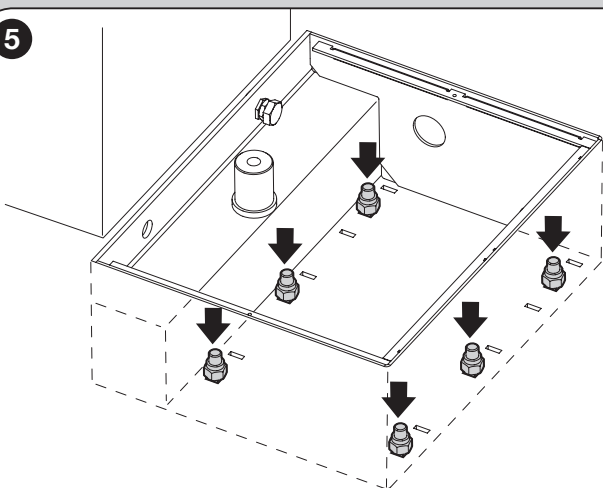
- | | | |
|--------------------------------|---|---|
| 1 Standsäule für Photozelle | 5 Antenne | BFAB(...) |
| 2 Paar Endanschläge in Öffnung | 6 Blinkleuchte | 9 Elektroschloss, vertikal |
| 3 230V Linie | 7 Photozelle | 10 Schlüsseltaster oder digitales Codeschloss |
| 4 Steuerung | 8 Fundamentkasten mit Toröffner LFAB(...) / | 11 Abzweigkasten (nicht mitgeliefert) |

3

- 1 = Stützzapfen
2 = Zapfen
3 = Stahlbeton

4

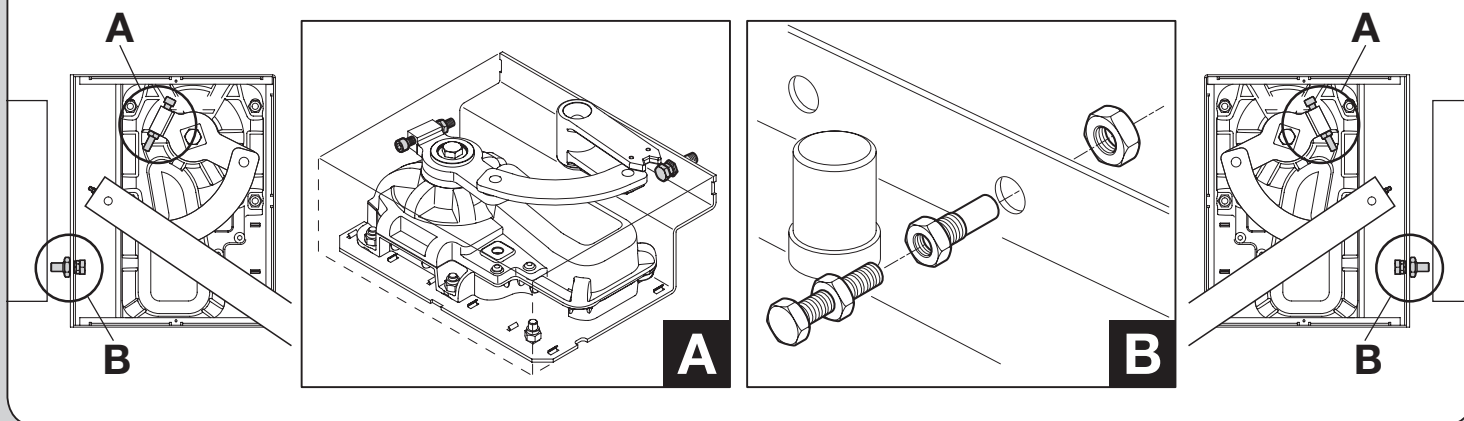
- 1 = Entriegelungshebel
2 = Verbindungshebel
3 = Kugel
4 = Steuerbügel
5 = Zapfen

5

6

A - Endschalter in Schließung (mit dem Motor geliefert). Wie auf der Abb. A gezeigt befestigen.

B - Endschalter in Öffnung (mit dem Kasten geliefert). Wie auf der Abb. B gezeigt befestigen.



6 PRÜFUNG UND INBETRIEBNAHME

Dies ist die wichtigste Phase bei der Realisierung des Antriebs, um die maximale Sicherheit der Anlage zu gewährleisten. Das beschriebene Prüfverfahren kann auch zur regelmäßigen Überprüfung der Vorrichtungen verwendet werden, aus denen sich der Antrieb zusammensetzt.

Die einzelnen Phasen der Prüfung und der Inbetriebnahme des Antriebs sind durch erfahrenes Fachpersonal auszuführen, das festzulegen hat, welche Prüfungen erforderlich sind, um die gegen die bestehenden Gefahren ergriffenen Maßnahmen zu kontrollieren, und das zu kontrollieren hat, ob die Bestimmungen von Gesetzen, Rechtsvorschriften und Regelungen eingehalten werden: im Einzelnen alle Anforderungen der Norm EN 13241-1, die die Prüfmethoden für Torantriebe festlegt.

6.1 - Prüfung

Jedes einzelne Bauteil des Torantriebs, zum Beispiel Kontaktleisten, Photozellen, Not-Aus usw. ist einer separaten Prüfung zu unterziehen; für diese Vorrichtungen sind die in den jeweiligen Bedienungsanleitungen angegebenen Verfahren durchzuführen.

Für die Abnahme von LFAB(...) / BFAB(...) wie folgt vorgehen:

- 1 Sicherstellen, dass hinsichtlich der Sicherheit die in Kapitel 1 - Allgemeine Sicherheitshinweise und Vorsichtsmaßnahmen - genannten Bestimmungen strikt eingehalten wurden.
- 2 Tor in geschlossene Stellung bringen.
- 3 **ACHTUNG! – Alle Stromversorgungsquellen an der Steuerung abtrennen.**
- 4 Toröffner mit dem Entriegelungsschlüssel entriegeln (lesen Sie Kapitel 8).
- 5 Torflügel manuell bis zum Erreichen der Maximalöffnung öffnen und prüfen, ob während dessen Bewegung Reibungsstellen vorhanden sind.
- 6 Sicherstellen, dass der in einer beliebigen Position seines Weges stehen gelassene Flügel sich nicht bewegt.
- 7 Kontrollieren, ob die Sicherheitseinrichtungen und mechanischen Stopper in gutem Zustand sind.
- 8 Kontrollieren, ob die Schraubverbindungen gut festgezogen sind.
- 9 Wenn erforderlich, das Innere des Fundamentkastens reinigen und prüfen, ob die Ableitung des Wassers korrekt funktioniert.
- 10 Toröffner mit dem Entriegelungsschlüssel verriegeln (lesen Sie Kapitel 8).
- 11 Stromversorgung der Steuerung einschalten.
- 12 Schließkraftmessung gemäß EN 12445 durchführen. Wird die Kontrolle der "Motorkraft" von der Steuerung als Hilfe im System zur Reduzierung der Schließkraft verwendet, versuchen, die Funktionen einzustellen, die bessere Parameter bieten. LFAB(...) / BFAB(...) hat keine Drehmomentregelung, diese Regelung ist daher der Steuerung anvertraut.
- 13 Im Bereich neben dem Torantrieb dauerhaft ein Schild anbringen, das beschreibt, wie der Toröffner manuell entriegelt werden kann.

6.2 - Inbetriebnahme

Die Inbetriebnahme darf erst erfolgen, nachdem alle Prüfphasen des Toröffners und der anderen vorhandenen Vorrichtungen mit positivem Ergebnis durchgeführt wurden. Bei der Inbetriebnahme ist die Bedienungsanleitung der Steuerung zu beachten.

WICHTIG – Eine teilweise Inbetriebnahme oder eine Inbetriebnahme unter "provisorischen" Bedingungen ist verboten.

7 WARTUNG DES PRODUKTS

Für die Wartung von LFAB(...) / BFAB(...) sind keine besonderen Maßnahmen erforderlich, jedoch gewährleistet eine programmierte Kontrolle mindestens alle sechs Monate eine längere Lebensdauer des Toröffners und den korrekten und sicheren Betrieb des Systems.

Die Wartung besteht einfach aus der Wiederholung des Abnahmeverfahrens.

ENTSORGUNG DES PRODUKTS

Dieses Produkt ist integrierender Teil der Automatisierung und muss mit ihr zusammen entsorgt werden.

Auch die Entsorgung, wenn das Produkt nicht mehr gebrauchsfähig ist, muss genau wie die Installation von qualifiziertem Personal durchgeführt werden.

Dieses Produkt besteht aus unterschiedlichen Materialien: einige sind wiederverwertbar, andere müssen entsorgt werden. Informieren Sie sich über das Recycling- oder Entsorgungssystem, das von den geltenden Vorschriften in Ihrem Land vorgesehen ist.

Achtung! – Einige Teile des Produkts können umweltverschmutzende oder gefährliche Substanzen enthalten, deren Freisetzung eine schädigende Wirkung auf die Umwelt und die Gesundheit des Menschen haben könnten.

Wie das seitliche Symbol anzeigt, darf dieses Produkt nicht mit dem Hausmüll beseitigt werden. Daher müssen zur Entsorgung die Komponenten getrennt werden, wie von den landeseigenen gesetzlichen Regelungen vorgesehen ist oder man übergibt das Produkt beim Neukauf eines gleichwertigen Produkt dem Händler.



Achtung! – die örtlichen gesetzlichen Regelungen können bei einer gesetzeswidrigen Entsorgung dieses Produkts schwere Strafen vorsehen.

8 Anweisungen und Warnhinweise für den Benutzer des Antriebs mit Untersetzungsgetriebe

Auch wenn Ihre Automatisierung den von den Vorschriften geforderten Sicherheitsniveaus entspricht, schließt dies das Vorhandensein von "Restrisiken" nicht aus, womit die Möglichkeit gemeint ist, dass gewöhnlich aufgrund eines verantwortungslosen oder falschen Gebrauchs Gefahren erzeugt werden können; wir möchten Ihnen deshalb ein paar Ratschläge geben, wie Sie sich verhalten sollten, um allen Unannehmlichkeiten aus dem Weg zu gehen.

- **Bevor Sie die Automatisierung zum ersten Mal verwenden**, lassen Sie sich von Ihrem Installateur erklären, wie Restrisiken entstehen können, und widmen Sie dem Lesen der **Anweisungen und Hinweise für den Benutzer**, die Ihnen Ihr Installateur aushändigen wird, ein paar Minuten. Bewahren Sie die Anleitung für zukünftige Zweifelsfälle auf und übergeben Sie diese ggf. einem neuen Besitzer der Automatisierung.

ACHTUNG! – Ihr Torantrieb ist eine Maschine, die getreu Ihre Befehle ausführt; durch unbewussten und unsachgemäßen Gebrauch kann sie gefährlich werden:

- **Betätigen Sie den Antrieb niemals**, wenn sich im Aktionsradius Personen, Tiere oder Sachen befinden.
- **Halten Sie alle anwesenden Personen von der Automatisierung fern**, wenn diese über die Steuerelemente bewegt wird.
- **Während der Ausführung der Bewegung die Automatisierung kontrollieren** und Personen solange fernhalten, bis die Bewegung abgeschlossen ist.
- **Während das Tor in Bewegung ist, ist das Berühren von Teilen des Torantriebs strengstens verboten!**
- **Die Photozellen sind keine Sicherheitsvorrichtung, sondern lediglich eine der Sicherheit dienende Vorrichtung. Sie sind mit höchst zuverlässiger Technik hergestellt, können aber in Extremsituationen gestört arbeiten oder sogar versagen und in bestimmten Fällen könnte der Defekt nicht sofort erkennbar sein. Aus diesen Gründen sind bei der Benutzung des Torantriebs die Folgenden Hinweise zu beachten:**
 - **Das Passieren des Tors ist nur zulässig, wenn dies vollständig geöffnet ist und die Flügel still stehen**
 - **Während sich das Tor schließt, ist das Passieren STRENGSTENS VERBOTEN!**
 - **Kontrollieren Sie die Funktion der Photozellen regelmäßig und lassen Sie die vorgesehenen Wartungskontrollen mindestens alle 6 Monate durchführen.**

- **Kinder:**
 - Das Produkt ist nicht dafür bestimmt, durch Personen (einschließlich Kinder) mit eingeschränkten physischen, sensorischen oder geistigen Fähigkeiten oder mangels Erfahrung und/oder mangels Wissen benutzt zu werden.
 - Kinder dürfen nicht mit dem Gerät spielen.
 - Erlauben Sie es Kindern nicht, mit den Steuervorrichtungen dieses Produkts zu spielen. Die Fernbedienungen von Kindern fernhalten.
 - Kinder dürfen Reinigung- und Wartungsarbeiten, die dem Benutzer obliegen, nur dann ausüben, wenn sie von einer erwachsenen Person beaufsichtigt werden.

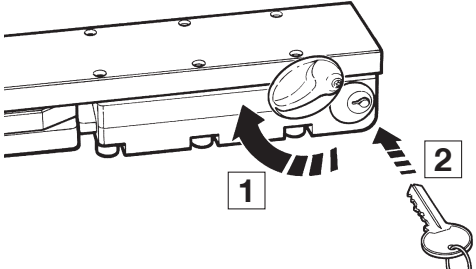
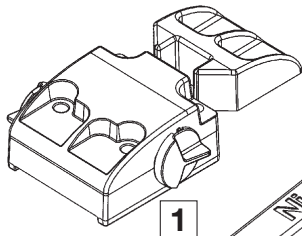

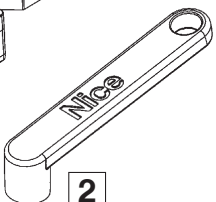
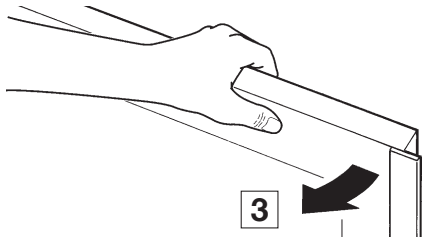
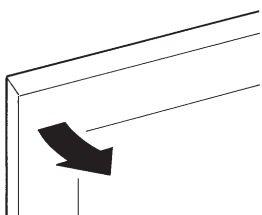
- **Störungen:** Wenn Sie ein ungewöhnliches Verhalten des Torantriebs be-

merken, trennen Sie die Anlage von der Stromversorgung und führen Sie die manuelle Entriegelung des Toröffners durch (siehe entsprechende Bedienungsanleitung), um das Tor manuell zu bedienen. Führen Sie als Autodidakt keine Reparaturen aus, sondern fordern Sie die Hilfe des Installateurs Ihres Vertrauens an.

- **Wartung:** Um das Sicherheitsniveau konstant zu halten und die maximale Lebensdauer des gesamten Torantriebs zu garantieren, muss regelmäßig eine Wartung erfolgen (alle 6 Monate). **Alle Kontroll-, Wartungs- und Reparaturarbeiten dürfen ausschließlich durch Fachpersonal durchgeführt werden.**
 - Das Produkt vor jeder Arbeit an der Anlage (Wartung, Reinigung) immer von der Stromversorgung abtrennen.
 - Betätigen Sie das Produkt nicht, wenn in der Nähe Personen an der Automatisierung arbeiten; trennen Sie die Vorrichtung vom Stromnetz, bevor solche Arbeiten ausgeführt werden.
- **Nehmen Sie keine Änderungen an der Anlage und der Programmierung und Einstellung der Steuerung vor:** Hierfür ist Ihr Installateur verantwortlich.
- **Die Prüfung, die regelmäßigen Wartungs- und eventuellen Reparaturarbeiten müssen durch den die Arbeit ausführenden dokumentiert werden.** Die Unterlagen sind vom Eigentümer der Anlage aufzubewahren. Die einzigen Arbeiten, die der Benutzer regelmäßig selbst ausführen darf, sind die Reinigung der Scheiben der Photozellen (mit einem weichen und leicht feuchten Tuch) und das Entfernen von Laub oder Steinen, die den Antrieb behindern könnten. **Wichtig** – Um zu verhindern, dass das Tor versehentlich betätigt werden kann, ist der Toröffner vor Arbeitsbeginn manuell zu entriegeln (siehe zugehörige Bedienungsanleitung).
- **Entsorgung:** Vergewissern Sie sich, dass der Torantrieb am Ende seiner Lebensdauer durch Fachpersonal demontiert und entsorgt und dass die Materialien gemäß den örtlich geltenden Bestimmungen dem Recycling bzw. der Entsorgung zugeführt werden.
- **Defekt oder Stromausfall:** Während Sie auf Ihren Installateur oder die Rückkehr der Stromversorgung warten und wenn die Anlage nicht mit Pufferbatterien ausgerüstet ist, der Antrieb trotzdem benutzt werden: Dazu ist die manuelle Entriegelung des Toröffners durchzuführen (siehe entsprechenden Abschnitt weiter unten) und der Torflügel manuell wie gewünscht zu bewegen.

MANUELLES ENT- UND VERRIEGELN DES TORÖFFNERS

Der Toröffner ist mit einem mechanischen System ausgerüstet, das ein manuelles Öffnen und Schließen des Tores erlaubt. Dieses manuelle Verfahren ist bei Ausfall der Stromversorgung und bei Funktionsstörungen anzuwenden.

	Schlüsselentriegelung des Typs MEA2	Hebelentriegelung des Typs MEA3
1 Den Schlossdeckel senken.		
2 Den Schlüssel stecken und um 90° im Uhrzeigersinn drehen.		
3 Den Torflügel von Hand betätigen. ACHTUNG! – Um den automatischen Betrieb wieder herzustellen, relock das Tor mit dem Schlüssel (drehen Sie den Schlüssel um 90°, gegen den Uhrzeigersinn).		

DE

Standzeit des Produkts

Die Standzeit ist die mittlere wirtschaftliche Lebenszeit des Produkts. Die Standzeit wird stark beeinflusst vom Belastungsindex der vom Antrieb ausgeführten Bewegungen: D. h. die Summe aller Faktoren, die zum Verschleiß des Produkts beitragen (siehe Tabelle 1).

Die Schätzung der Standzeit erfolgt aufgrund der Planungsberechnungen und der Ergebnisse von an Prototypen ausgeführten Versuchen. Da es sich um eine Schätzung handelt, ist sie keine Garantie für die tatsächliche Lebensdauer des Produkts.

Um die wahrscheinliche Standzeit Ihres Antriebs zu bestimmen, gehen Sie folgendermaßen vor:

01. Berechnen Sie den Belastungsindex, indem Sie die Prozentwerte der Einträge in **Tabelle 1**.
02. Ziehen Sie in **Diagramm A** vom soeben ermittelten Wert eine senkrechte Linie bis zum Schneiden der Kurve; von diesem Punkt ziehen Sie eine waagerechte Linie bis zum Schneiden der Linie der "Bewegungszyklen". Der so bestimmte Wert ist die geschätzte Standzeit Ihres Produkts.

Beispiel für die Standzeitberechnung eines Toröffners LFAB(...) / BFAB(...). Siehe Tabelle 1 und Diagramm A:

- 1) - Länge des Flügels: 3 m
- 2) - Gewicht des Flügels: 500 kg = Belastungsindex: 30%.
- 3) - Installation in windreichen Gebieten = Belastungsindex: 15%.
- 4) - Keine weiteren Ermüdungsfaktoren.

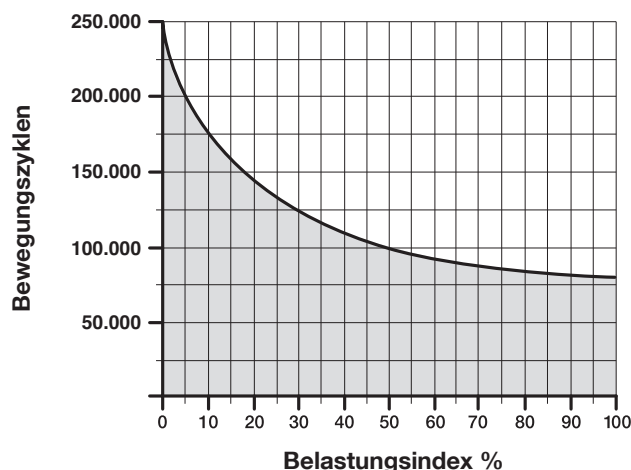
Gesamtbelastungsindex = 45%

Geschätzte Standzeit = 110.000 Bewegungszyklen

TABELLE 1

Länge des Flügels (m)	≥ 2.00	2.01 ÷ 3.00	3.01 ÷ 4.00	4.01 ÷ 5.00	
Gewicht des Flügels (kg)	Belastungsindex				
	≤ 150	0 %	10 %	20 %	30 %
	151 ÷ 350	10 %	20 %	30 %	40 %
	351 ÷ 550	20 %	30 %	40 %	50 %
	551 ÷ 750	30 %	40 %	50 %	–
751 ÷ 900	40 %	50 %	–	–	
Umgebungstemperatur über 40 °C oder unter 0 °C oder Feuchtigkeit über 80%				15 %	
Flügel mit Füllung				20 %	
Installation in windreichem Gebiet				15 %	

DIAGRAMM A



TECHNISCHE DATEN DES PRODUKTS

HINWEISE: • Alle angegebenen technischen Daten beziehen sich auf eine Umgebungstemperatur von 20°C (± 5°C). • Nice S.p.a. behält sich das Recht vor, jederzeit am Produkt Änderungen vorzunehmen, wenn dies für erforderlich gehalten wird, dabei aber dessen Funktionen und bestimmungsgemäßer Gebrauch gleich bleiben.

	BFAB5024	LFAB4024	LFAB4000
Geräteart	Elektromagnetischer Getriebemotor-Antrieb für Tore mit Torflügeln		
Stromversorgung	24 V ===	24 V ===	230 V ~
Spitzenstromaufnahme	7 A	5 A	1,5 A
Höchststromaufnahme	2 A	1,5 A	1 A
Spitzenleistung	170 W	120 W	340 W
Höchstleistung	50 W	36 W	180 W
Eingebauter Kondensator	–		7µF
Schutzklasse	IP 67		
Weg	0° bis 90°/110° oder 360°		
Leerlaufdrehzahl	0,8 U/min	1 U/min (1,25 U/min*)	0,85 U/min
Drehzahl bei Nenndrehmoment	0,65 U/min	0,85 U/min	0,65 U/min
Maximales Drehmoment	400 Nm	300 Nm	500 Nm
Nenndrehmoment	100 Nm	75 Nm	125 Nm
Betriebstemperatur	-20 °C bis +50 °C		
Zyklen pro Std. bei Nenndrehmoment	45	60	20
Lebensdauer	Geschätzt etwa 100.000 e 250.000 Bewegungszyklen, gemäß den in Tabelle 1 angegebenen Bedingungen		
Abmessungen	230 mm x 206 mm x h 88 mm	375 mm x 225 mm x h 110 mm	
Gewicht	15 kg (Toröffner mit Fundamentkasten)	12,5 kg	14,3 kg

(*) - Wert bezieht sich auf eine Versorgungsspannung von 30V.

1 OGÓLNE UWAGI I ŚRODKI OSTROŻNOŚCI DOTYCZĄCE BEZPIECZEŃSTWA

OGÓLNE OSTRZEŻENI

- **UWAGA! - Ważne instrukcje bezpieczeństwa. Należy przestrzegać wszystkich instrukcji, ponieważ nieprawidłowy montaż może być przyczyną poważnych szkód.**
- **UWAGA! - Ważne instrukcje bezpieczeństwa. W celu zapewnienia bezpieczeństwa osób, należy przestrzegać niniejszych instrukcji. Należy zachować niniejszą instrukcję.**
- Przed rozpoczęciem montażu należy sprawdzić informacje na temat „Parametrów technicznych produktu” (zawartych w niniejszej instrukcji), a w szczególności, czy urządzenie jest przystosowane do napędzania posiadanego przez Państwa urządzenia. Jeżeli produkt nie jest odpowiedni, NIE należy wykonywać montażu.
- Nie używać urządzenia, jeśli nie przeprowadzono procedury oddania do eksploatacji, opisanej w rozdziale „Odbiór i przekazanie do eksploatacji”.
- **UWAGA! - Według najnowszych, obowiązujących przepisów europejskich, wykonanie drzwi lub bramy automatycznej musi być zgodne z obowiązującą Dyrektywą Maszynową umożliwiającą zadeklarowanie zgodności automatyki. W związku z tym, wszystkie czynności polegające na podłączeniu do sieci elektrycznej, wykonywaniu prób odbiorczych, przekazywaniu do eksploatacji i konserwacji urządzenia muszą być wykonywane wyłącznie przez wykwalifikowanego i kompetentnego technika!**
- Przed przystąpieniem do montażu produktu należy sprawdzić, czy wszystkie elementy i materiały przeznaczone do użycia znajdują się w idealnym stanie i są odpowiednie do użycia.
- **UWAGA! - W celu uniknięcia jakiegokolwiek zagrożenia na skutek przypadkowego uzbrojenia termicznego urządzenia odłączającego, nie należy zasilać tego urządzenia przy użyciu zewnętrznego urządzenia, jak zegar lub podłączać go do obwodu charakteryzującego się regularnym podłączeniem lub odłączeniem zasilania.**
- W sieci zasilającej instalacji należy przygotować urządzenie odłączające (nieznajdujące się na wyposażeniu), którego odległość pomiędzy stykami podczas otwarcia zapewnia całkowite odłączenie w warunkach określonych przez III kategorię przepięciową.
- Podczas montażu, należy delikatnie obchodzić się z urządzeniem, chroniąc je przed zgnieciem, uderzeniem, upadkiem lub kontaktem z jakiegokolwiek rodzaju płynami. Nie umieszczać urządzenia w pobliżu źródeł ciepła i nie wystawiać go na działanie otwartego ognia. Opisane powyżej sytuacje mogą doprowadzić do uszkodzenia urządzenia, być przyczyną nieprawidłowego działania lub zagrożeń. Jeżeli doszłoby do którejś z opisanych sytuacji, należy natychmiast przerwać montaż i zwrócić się o pomoc do Serwisu Technicznego.
- Producent nie ponosi odpowiedzialności za szkody materialne lub osobowe powstałe w wyniku nieprzestrzegania instrukcji montażu. W takich przypadkach, nie ma zastosowania rękojmi za wady materialne.
- Poziom ciśnienia akustycznego emisji skorygowanego charakterystyką A jest niższy od 70 dB(A).
- Przed wykonaniem działań na instalacji (konserwacja, czyszczenie), należy zawsze odłączyć produkt od sieci zasilającej.
- Należy wykonywać okresowe przeglądy instalacji, a w szczególności przewodów, sprężyn i wsporników, celem wykrycia ewentualnego braku wyważenia lub oznak zużycia, czy uszkodzeń. Nie używać w razie konieczności naprawy lub regulacji, ponieważ obecność usterek lub niewłaściwe wyważenie automatyki może prowadzić do poważnych obrażeń.

- Materiał opakowaniowy podlega utylizacji zgodnie z lokalnymi przepisami.
- Osoby trzecie nie powinny się znajdować w pobliżu bramy podczas jej przesuwania przy użyciu elementów sterowniczych.
- Podczas wykonywania manewru, należy nadzorować automatykę i zadbać o to, aby inne osoby nie zbliżyły się do urządzenia, aż do czasu zakończenia czynności.
- Nie sterować automatyką, jeżeli w jej pobliżu znajdują się osoby wykonujące czynności; przed wykonaniem tych czynności należy odłączyć zasilanie elektryczne.
- Jeśli przewód zasilający jest uszkodzony, należy go wymienić na identyczny dostępny u producenta lub w serwisie technicznym lub u innej osoby posiadającej porównywalne kwalifikacje, aby uniknąć jakiegokolwiek ryzyka.

OSTRZEŻENIA NA TEMAT MONTAŻU

- Przed zamontowaniem silnika, należy sprawdzić stan wszystkich części mechanicznych, odpowiednie wyważenie i upewnić się, czy możliwe jest prawidłowe manewrowanie automatyką.
- Jeżeli brama przeznaczona do zautomatyzowania posiada również drzwi dla pieszych, należy przygotować instalację z systemem kontrolnym, który uniemożliwi działanie silnika, gdy drzwi dla pieszych będą otwarte.
- Upewnić się, że elementy sterownicze znajdują się z dala od części w ruchu, umożliwiając w każdym razie ich bezpośrednią widoczność. W razie niestosowania przełącznika, elementy sterownicze należy montować w miejscu niedostępnym i na minimalnej wysokości 1,5 m.
- Zapobiegać i unikać jakiegokolwiek uwięzienia między częściami stałymi i częściami w ruchu podczas wykonywania manewrów.
- Umieścić na stałe tabliczkę na temat ręcznego manewru w pobliżu elementu umożliwiającego wykonanie manewru.
- Po zamontowaniu silnika należy się upewnić, że prawidłowo funkcjonuje mechanizm, system ochrony i każdy manewr ręczny.

2 OPIS PRODUKTU I JEGO PRZEZNACZENIE

Niniejszy produkt przeznaczony jest do zautomatyzowania bramek lub bram z wahadłowymi skrzydłami.

UWAGA! – Jakiegokolwiek użycie inne od opisanego i w warunkach środowiska innych od podanych w niniejszej instrukcji uznać należy za niewłaściwe i zakazane!

Produkt jest elektromechanicznym siłownikiem. Siłownik zasilany jest z centrali zewnętrznej, do której należy go podłączyć.

W razie przerwy w dopływie energii elektrycznej (black-out), można poruszać skrzydłami bramki odblokowując siłownik za pomocą specjalnego klucza; w celu wykonania ruchu ręcznego patrz rozdział 8.

Urządzenie jest dostępne w wersji:

- BFAB5024 z koderem, odpowiedni do centrali mod. MC824H.
- LFAB4024 z koderem, odpowiedni do centrali mod. MC824H.
- LFAB4000 z koderem, odpowiedni do centrali mod. A6F / A60.

UWAGA! – Nie korzystaj z siłowników z niekompatybilnymi centralami.

3 MONTAŻ

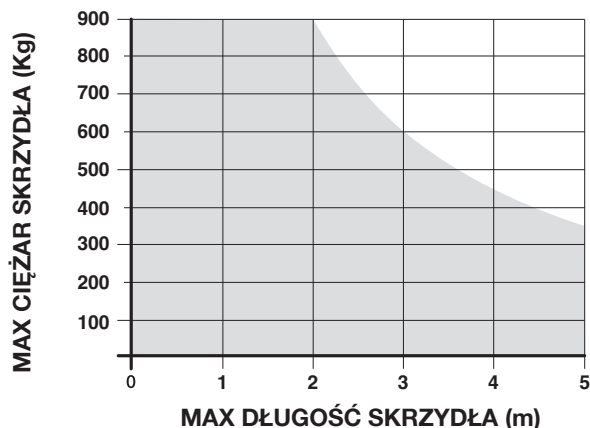
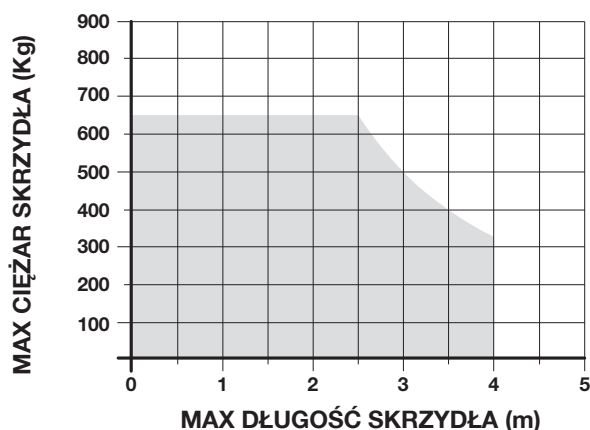
3.1 - Kontrole wstępne przed montażem

Przed przejściem do montażu, należy sprawdzić integralność komponentów produktu, odpowiedniość wybranego modelu i odpowiedniość otoczenia przeznaczonego do montażu.

WAŻNE – Siłownik nie może zautomatyzować bramki ręcznej bez skutecznej i solidnej struktury mechanicznej. Ponadto, nie może naprawić uszkodzeń spowodowanych błędnym montażem lub nieprawidłową konserwacją samej bramki.

3.2 - Zgodność bramki do zautomatyzowania i pobliskiego otoczenia

- Sprawdzić, czy struktura mechaniczna bramki nadaje się do zautomatyzowania i jest zgodna z obowiązującymi na danym obszarze normami (ewentualnie odnieść się do danych na etykiecie bramki).

WYKRES 1 (mod. BFAB5024)**WYKRES 1** (mod. LFAB4024 / LFAB4000)

- Poruszając ręcznie skrzydłem bramki podczas Otwarcia i Zamknięcia, sprawdzić, czy ruch wykonywany jest z jednolitym tarcieniem w każdym punkcie biegu (nie powinno dojść do większych naprężeń).
- Sprawdzić, czy skrzydło bramki pozostaje w równowadze, tzn., czy nie przemieszcza się, jeśli zostanie ręcznie doprowadzona do jakiegokolwiek pozycji i pozostawiona nieruchomo.
- Sprawdzić, czy przestrzeń wokół siłownika umożliwia ręczne odblokowanie skrzydeł bramki, w sposób łatwy i pewny.
- Przygotować ograniczniki biegu na podłożu zarówno do otwarcia jak i do zamknięcia bramki.
- Sprawdzić, czy strefa mocowania siłownika jest zgodna z jego gabarytami (**rys. 1**).

3.3 - Ograniczenia związane z użyciem produktu

Przed zamontowaniem produktu należy sprawdzić, czy wymiary i ciężar skrzydła bramki znajdują się w zakresie granic wskazanych na **wykresie 1**; należy oszacować również warunki klimatyczne (np. silny wiatr) w miejscu montażu, które mogą znacznie ograniczyć wartości wskazane na wykresie.

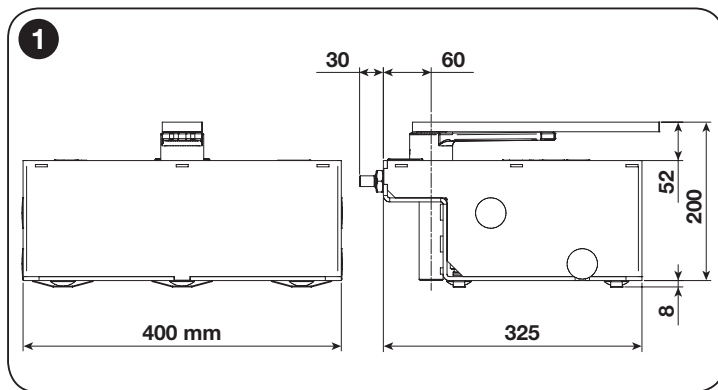
3.4 - Prace przygotowawcze do montażu

Rys. 2 wskazuje przykład instalacji automatu wykonanej z użyciem komponentów Nice. Niniejsze komponenty rozmieszczone są zgodnie z typowym i zwyczajnym schematem.

Odnosząc się do **rys. 2**, należy ustalić przybliżoną pozycję, w której zostanie zamontowany każdy komponent przewidziany w instalacji i jak najbardziej odpowiedni schemat połączenia.

3.5 - Przymocowanie: Wymiary gabarytowe i wykonanie skrzynki fundamentowej

- 1 Wykonaj duży wykop fundamentowy, aby umieścić w nim skrzynkę fundamentową (**rys. 3**); przygotuj przewód rurowy odprowadzający przeznaczony do drenażu wody, który będzie zapobiegać nasyceniu terenu wodą.
- 2 Jeżeli brama posiada własne mechaniczne ograniczniki położenia (**rys. 2**) przejdź bezpośrednio do punktu 3. W przeciwnym przypadku przymocuj do skrzynki element dodatkowy przeznaczony dla ogranicznika otwierania (patrz paragraf 4).
- 3 Włóż skrzynkę do wykopu, dopasuj sworznię do osi zawiasu (**rys. 3**).
- 4 Przygotuj dwie rurki zabezpieczające, jedną dla przewodów elektrycznych a drugą dla przewodu drenażowego.
- 5 Zalej betonem skrzynkę fundamentową, zadбай o jej prawidłowe wypoziomowanie.



- 6 Załóż na sworznię skrzynki uchwyt sterujący, dbając o umieszczenie kulki znajdującej się w wyposażeniu (**rys. 4**).
- 7 Umieść skrzydło bramy na dźwigni odblokowującej i solidnie przyspawaj.
- 8 Nasmaruj z zastosowaniem specjalnej dyszy smarującej.

3.6 - Montaż motoreduktora LFAB(...) / BFAB(...)

- 1 Wymij nakrętki i podkładki pokazane na rysunku z prawej strony (**rys. 5**).
- 2 Włóż motoreduktor do wnętrza skrzynki fundamentowej, zadбай o to, aby został włożony w odpowiednią stronę.
- 3 Zablokuj motoreduktor z zastosowaniem wyjętych wcześniej podkładek i nakrętek.
- 4 Połącz motoreduktor z bramą z pomocą dźwigni łączącej (2) (**rys. 4**).

4 USTAWIENIE OGRANICZNIKÓW KRAŃCOWYCH

Patrz **rys. 6**.

5 POŁĄCZENIA ELEKTRYCZNE

Uwaga:

- Siłownik dostarczony jest z przewodem zasilania elektrycznego o długości 2 m. Dlatego też, jeśli wymagany jest dłuższy przewód do wykonania połączeń elektrycznych, należy skorzystać z puszkii rozgałęźnej (nie wchodzącej w skład wyposażenia). **WAŻNE!** – Zakazane jest wykonywanie przedłużeń przewodu elektrycznego w skrzynce fundamentowej.
- Podłączenia elektryczne należy wykonać, gdy zasilanie sieciowe jest odłączone.

Aby podłączyć przewód zasilania do centrali - patrz instrukcja centrali i następujące wskazania:

- Dla **LFAB4024** i **LFAB4000** połączyć przewody następująco:

PRZEWÓD	POŁĄCZENIE
przewód Czarny	Faza „otwiera”
przewód Brązowy	Faza „zamyka”
przewód Szary	Wspólny
przewód Żółto-zielony	Uziemienie

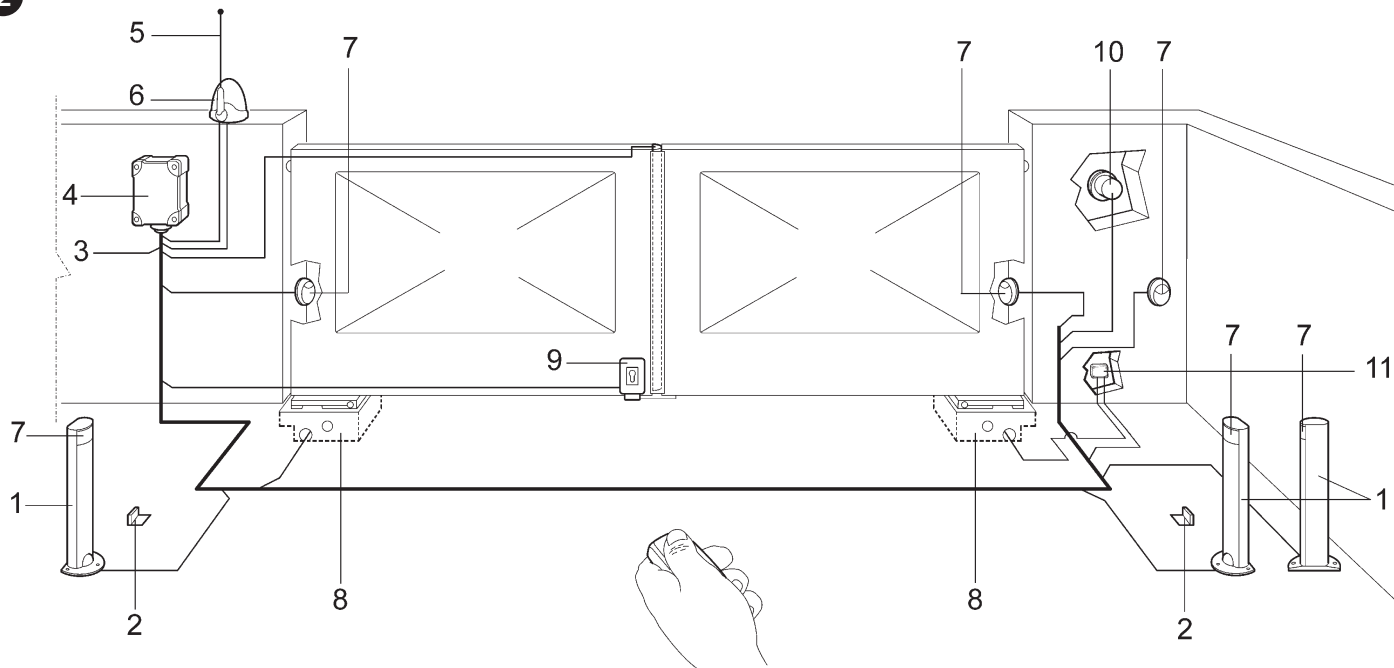
- Dla **BFAB5024** połączyć przewody następująco:

PRZEWÓD	POŁĄCZENIE
przewód Niebieski	Zasilanie silnika 24 V
przewód Brązowy	Zasilanie silnika 24 V
przewód Czarny	Koder
przewód Szary	Koder
przewód Żółto-zielony	Uziemienie

5.1 - Akcesoria na życzenie

- PLA10 Elettrozamek 12 Vca pionowy
- PLA11 Elettrozamek 12 Vca poziomy
- BMA1 Urządzenie otwierające na 360°
- MEA2 Odblokada na zamek
- MEA3 Odblokada z dźwignią

2



1 Słupek do montażu fotokomórki

2 Dwa ograniczniki otwierania

3 Linia 230V

4 Tablica sterownicza (centrala elektryczna)

5 Antena

6 Lampa ostrzegawcza

7 Fotokomórka

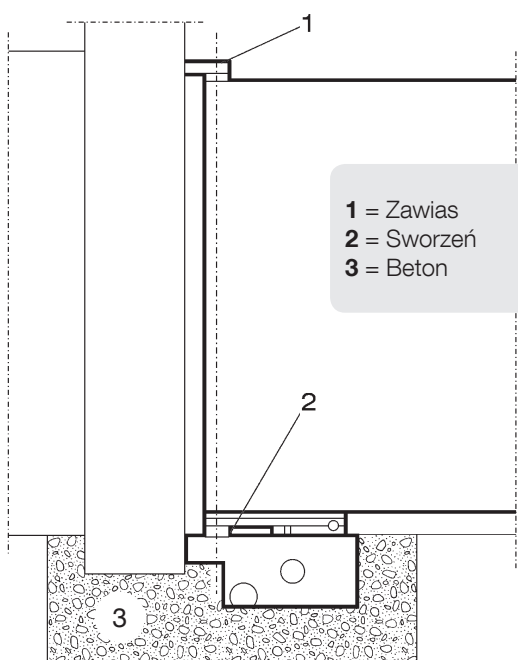
8 Skrzynka z siłownikiem LFAB(...) / BFAB(...)

9 Zamek elektryczny pionowy

10 Przełącznik kluczowy lub klawiatura cyfrowa

11 Skrzynka rozgałęźna (nie dostarczona)

3

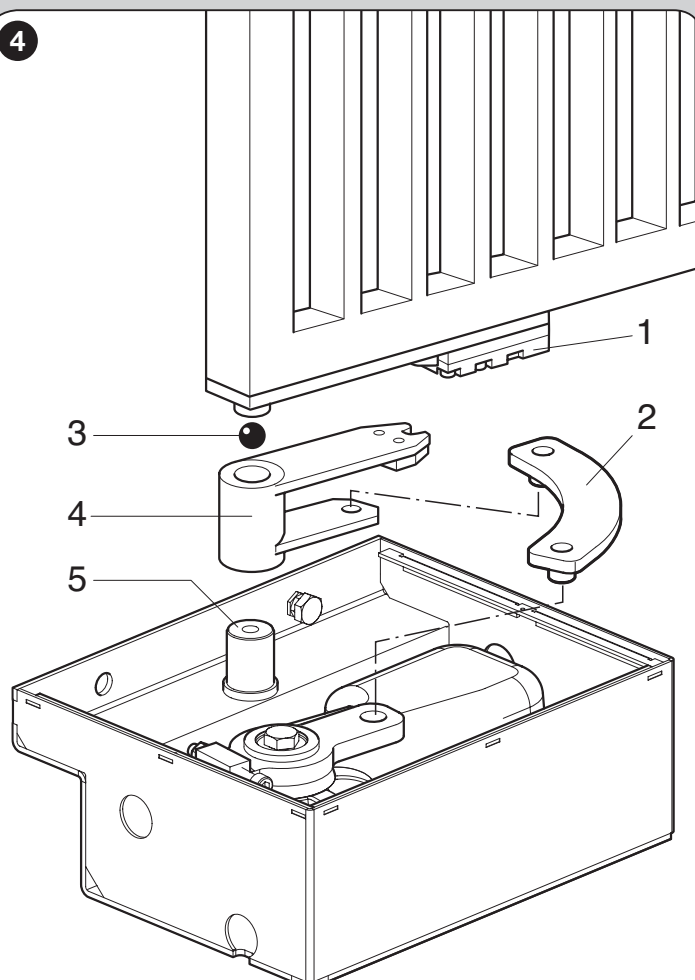


1 = Zawias

2 = Sworzeń

3 = Beton

4



1 = Dźwignia odblokowująca

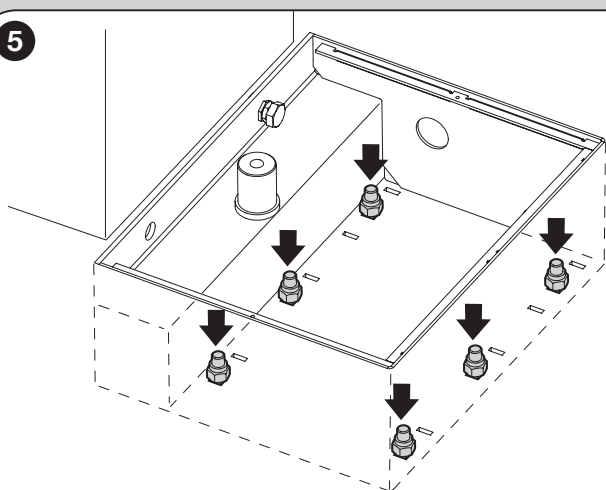
2 = Dźwignia łącząca

3 = Kulka

4 = Uchwyt sterujący

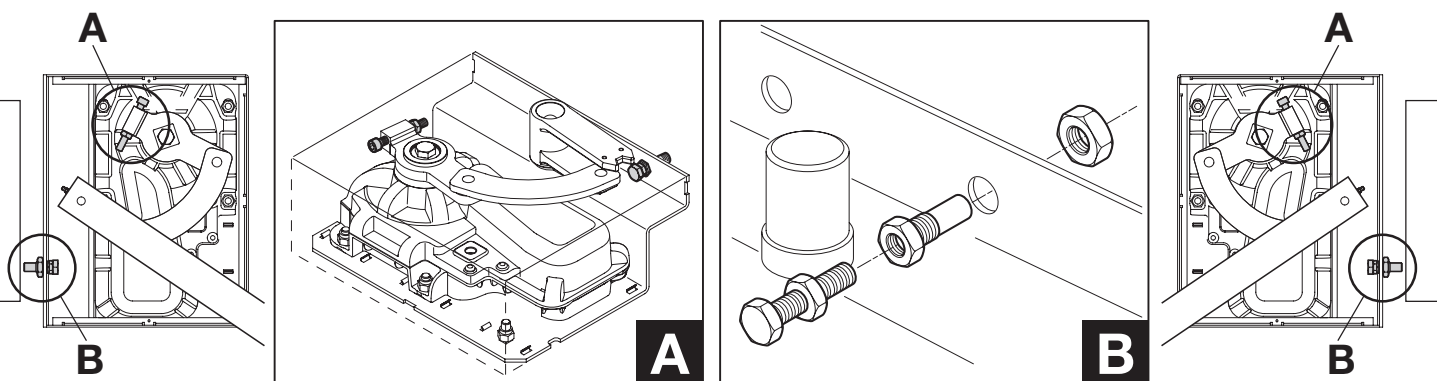
5 = Sworzeń

5



6

A - Wyłącznik krańcowy zamykania (dostarczony wraz z silnikiem). Przymocować tak, jak wskazano na rys. A.
B - Wyłącznik krańcowy otwieraniu (dostarczony wraz ze skrzynką). Przymocować tak, jak wskazano na rys. B.



6 TEST KONTROLNY I URUCHOMIENIE

Jest to najważniejszy etap przeprowadzania automatyzacji, aby zagwarantować maksymalne bezpieczeństwo instalacji. Z opisanej procedury testu kontrolnego można również skorzystać podczas okresowych kontroli urządzeń tworzących automat.

Etapy testu kontrolnego i uruchomienia automatu musi przeprowadzić wykwalifikowany i doświadczony personel, który wykona konieczne próby, aby sprawdzić rozwiązania przyjęte względem obecnego ryzyka oraz zastosowanie się do treści przepisów, norm i rozporządzeń: a szczególnie - wszystkie wytyczne normy EN 13241-1 ustalającej metody próbne kontroli automatów do bram.

6.1 - Test kontrolny

Każdy pojedynczy komponent automatu, na przykład czułe krawędzie, fotokomórki, zatrzymanie awaryjne, itd. wymaga specjalnego testu kontrolnego; dla tych urządzeń należy przeprowadzić procedury znajdujące się w odpowiednich instrukcjach obsługi.

Podczas odbioru motoreduktora LFAB(...) / BFAB(...) śledź opisaną niżej procedurę:

- 1 Sprawdzić, czy surowo przestrzegano zaleceń w kwestii bezpieczeństwa z rozdziału 1 - Ogólne uwagi i środki ostrożności dotyczące bezpieczeństwa.
- 2 Doprowadzić bramkę do pozycji zamknięcia.
- 3 **UWAGA! – Odłączyć jakiegokolwiek źródło zasilania elektrycznego od centrali.**
- 4 Odblokować siłownik za pomocą odpowiedniego klucza (przeczytać Rozdział 8).
- 5 Otworzyć ręcznie skrzydło aż do osiągnięcia maksymalnej pozycji otwarcia i sprawdzić, czy podczas ruchu brak jest punktów tarcia.
- 6 Sprawdzić, czy pozostawione nieruchomo skrzydło na jakiegokolwiek pozycji swojego biegu, nie rusza się.
- 7 Sprawdzić, czy systemy bezpieczeństwa i ograniczniki mechaniczne są w dobrym stanie.
- 8 Sprawdzić, czy połączenia śrubowe są dobrze dokręcone.
- 9 W razie konieczności wyczyścić wnętrze skrzynki fundamentowej i sprawdzić, czy drenaż wody funkcjonuje poprawnie.
- 10 Zablokować siłownik za pomocą odpowiedniego klucza (przeczytać Rozdział 8).
- 11 Doprowadzić zasilanie elektryczne do centrali.
- 12 Dokonać pomiaru siły uderzenia zgodnie z normą EN 12445. Jeśli kontrola "siły napędowej" użyta jest przez Centralę jako pomoc dla systemu, aby ograniczyć siłę uderzenia, należy spróbować wyregulować funkcje oferujące lepsze parametry. LFAB(...) / BFAB(...) nie posiada urządzenia regulującego moment obrotowy, dlatego też ta regulacja jest powierzona centrali sterującej.
- 13 W pobliżu automatu, przymocować na stałe etykietę opisującą sposób ręcznego odblokowania siłownika.

6.2 - Uruchomienie

Siłownik można uruchomić dopiero po pomyślnym przeprowadzeniu i zakończeniu wszystkich faz testu kontrolnego zarówno siłownika jak i innych obecnych urządzeń. Aby przygotować sprzęt do pracy, odnieść się do instrukcji obsługi Centrali.

WAŻNE – Zakazane jest uruchamianie częściowe lub w sytuacjach "prowizorycznych".

7 KONSERWACJA PRODUKTU

Konserwacja motoreduktora LFAB(...) / BFAB(...) nie wymaga zastosowania szczególnych środków, jednakże zaprogramowana kontrola wykonywana co najmniej raz na sześć miesięcy umożliwi uzyskanie dłuższego okresu eksploatacji motoreduktora i prawidłowego i bezpiecznego funkcjonowania systemu.

Konserwacja opiera się zwyczajnie na ponownym wykonaniu procedury odbiorczej.

LIKWIDACJA PRODUKTU

Produkt ten jest integralną częścią automatyki i w związku z tym musi być poddany utylizacji razem z nią.

Podobnie jak przy instalacji, także przy zakończeniu użytkowania niniejszego produktu czynności utylizacji powinny być wykonane przez personel wykwalifikowany.

Niniejszy produkt składa się z różnego rodzaju materiałów: niektóre z nich mogą być powtórnie użyte, inne muszą zostać poddane utylizacji. Należy zasięgnąć informacji o systemach wtórnego przerobu i utylizacji, przewidzianych przez lokalne przepisy dla tej kategorii produktu.

Uwaga! – Niektóre elementy produktu mogą zawierać substancje szkodliwe lub niebezpieczne, które pozostawione w otoczeniu mogłyby zaszkodzić środowisku lub zdrowiu ludzkiemu.

Zgodnie ze wskazaniem symbolu na rysunku obok, zabronione jest wyrzucanie tego produktu razem z odpadami domowymi. W celu utylizacji produktu należy przeprowadzić "segregację odpadów" na potrzeby utylizacji, według metod przewidzianych przez lokalne przepisy, lub zwrócić produkt sprzedawcy podczas zakupu nowego, równorzędnego produktu.

Uwaga! – lokalne przepisy mogą przewidywać poważne sankcje w przypadku samodzielnej likwidacji tego produktu.



8 Instrukcje i ostrzeżenia przeznaczone dla użytkownika motoreduktora

Gdy automatyka spełnia wasze wymagania w zakresie bezpieczeństwa i zgodnie z normami prawnymi nie znaczy to, że nie istnieją inne niebezpieczeństwa. Mogą się bowiem utworzyć sytuacje ni bezpieczne spowodowane nieodpowiedzialnym i błędnym użytkowaniem. Dlatego też chcemy przekazać wam użyteczne wskazówki w celu uniknięcia takich niekorzystnych sytuacji.

- **Przed pierwszym uruchomieniem automatyki**, należy poprosić instalatora o dokładne przedstawienie ewentualnych niebezpieczeństw. Przeczytać **instrukcję i ostrzeżenia dla instalatora**, którą wam przekazał. Należy przechowywać instrukcje w celu możliwych późniejszych konsultacji i przekazać ją ewentualnemu następnemu użytkownikowi bramy.

UWAGA! – Wasz automat jest mechanizmem, który wiernie wykonuje Wasze polecenia; bezmyślne i niewłaściwe użycie może stać się niebezpieczne:

- Nie zlecać automatowi ruchu, jeśli w promieniu jego działania znajdują się osoby, zwierzęta lub rzeczy.
- Osoby trzecie nie powinny się znajdować w pobliżu bramy podczas jej przesuwania przy użyciu elementów sterowniczych.
- Podczas wykonywania manewru, należy nadzorować automatykę i zadbać o to, aby inne osoby nie zbliżyły się do urządzenia, aż do czasu zakończenia czynności.
- **Surowo zakazane jest dotykanie części automatu, podczas gdy bramka lub brama są w ruchu!**
- Fotokomórki nie są urządzeniem bezpieczeństwa, lecz jedynie urządzeniem pomocniczym ze względów bezpieczeństwa. Zostały wykonane z zastosowaniem najlepszej technologii, lecz w krańcowych sytuacjach, mogą ulec nieprawidłowościom, czy nawet uszkodzić się i w niektórych przypadkach, uszkodzenie to mogłoby nie być od razu widoczne. Z tego względu, podczas używania automatu, należy zwracać uwagę na następujące ostrzeżenia:
 - Przejście/przejazd są możliwe wyłącznie, gdy bramka lub brama są całkowicie otwarte, a skrzydła nieruchome
 - **SUROWO ZABRANIA SIĘ przechodzić/przejeżdżać, gdy brama lub bramka zamyka się!**
 - Okresowo należy sprawdzać właściwe funkcjonowanie fotokomórek i zlecić wykonanie zaplanowanych kontroli konserwacyjnych przynajmniej co 6 miesięcy.

• Dzieci:

- Urządzenie nie jest przeznaczone do użytku przez osoby (również dzieci), których możliwości fizyczne, uczuciowe lub umysłowe są ograniczone. Z urządzenia nie mogą również korzystać osoby bez doświadczenia i stosownej wiedzy.
- Nie zezwalać dzieciom na zabawę urządzeniem.
- Nie zezwalać dzieciom na zabawę urządzeniami sterującymi produktu. Przechowywać piloty w miejscu niedostępnym dla dzieci.
- Czyszczenie i konserwacja, za którą jest odpowiedzialny użytkownik, nie powinna być wykonywana przez dzieci pozbawione opieki.

- **Nieprawidłowości:** jeśli zauważy się jakiegokolwiek nieprawidłowe zachowanie automatu, należy odłączyć zasilanie elektryczne od instalacji i ręcznie odblokować siłownik (patrz odpowiednia instrukcja obsługi), aby ręcznie do-

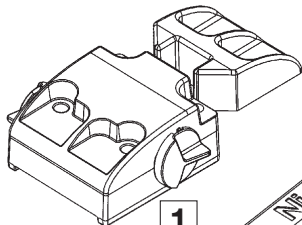

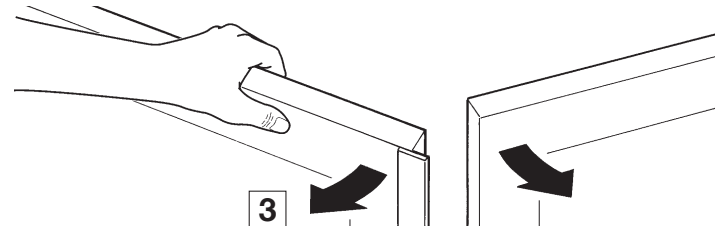
prowadzić do pracy bramki. Nie wykonywać samodzielnie żadnych napraw, lecz zwrócić się o interwencję do Waszego zaufanego instalatora.

- **Konserwacja:** aby zachować poziom bezpieczeństwa i zagwarantować maksymalny okres funkcjonowania całego automatu, konserwację należy przeprowadzać regularnie (co 6 miesięcy). **Jakiegokolwiek interwencji dotyczącej kontroli, konserwacji czy naprawy może dokonać wyłącznie wykwalifikowany personel.**
 - Przed wykonaniem działań na instalacji (konserwacja, czyszczenie), należy zawsze odłączyć produkt od sieci zasilającej.
 - Nie sterować automatyką, jeżeli w jej pobliżu znajdują się osoby wykonujące czynności; przed wykonaniem tych czynności należy odłączyć zasilanie elektryczne.
- **Nie wprowadzać zmian do instalacji i parametrów programowania i regulacji centrali:** jest to zadanie dla Waszego instalatora.
- **Osoba przeprowadzająca test kontrolny, konserwację okresową i dokonującą ewentualnych napraw, musi to udokumentować.** Takie dokumenty musi przechowywać właściciel instalacji. Jedyne czynności, które może wykonać użytkownik od czasu do czasu, to czyszczenie szybek fotokomórek (korzystając z miękkiej, lekko wilgotnej szmatki) i usunięcie ewentualnych liści czy kamyków, mogących zablokować automat. **Ważne** – Przed kontynuacją, należy ręcznie odblokować siłownik, aby nie dopuścić, żeby ktoś nieoczekiwanie uruchomił bramkę (patrz odpowiednia instrukcja obsługi).
- **Utylizacja:** na zakończenie okresu funkcjonowania automatu, należy upewnić się, że utylizacji dokona wykwalifikowany personel, a materiały zostaną poddane recyklingowi lub utylizacji zgodnie z miejscowymi przepisami.
- **Uszkodzenie lub brak zasilania:** czekając na interwencję Waszego instalatora lub na powrót dopływu energii elektrycznej, jeśli instalacja nie jest wyposażona w baterie buforowe, z automatu można korzystać w dalszym ciągu: należy ręcznie odblokować siłownik (patrz poniżej specjalny paragraf) i ręcznie poruszyć skrzydłem bramki tak, jak się tego wymaga.

ODBLOKOWAĆ I ZABLOKOWAĆ SIŁOWNIK RĘCZNIE

Siłownik wyposażony jest w mechaniczny system, umożliwiający otwarcie i zamknięcie bramki ręcznie.

Czynności te należy wykonać ręcznie w razie przerwy w dopływie prądu elektrycznego lub nieprawidłowości.

	Odblokada na KLUCZ typu MEA2	Odblokada z dźwignią typu MEA3
1	Opuść pokrywę obejmującą zamek.	
2	Włóż klucz i przekręć o 90° w kierunku ruchu wskazówek zegara.	
3	Ręcznie otworzyć skrzydło. UWAGA! – Aby przywrócić automatyczne działanie, ponownie zablokować bramę z kluczem (przekręć klucz o 90°, w lewo).	

Trwałość produktu

Trwałość jest ekonomicznym "życiem" produktu. Wartość trwałości podlega silnemu wpływowi wskaźnikowi intensywności ruchów wykonanych przez automat: tzn. jest sumą wszystkich czynników wpływających na zużycie się produktu (patrz Tabela 1).

Szacowanie trwałości odbywa się na podstawie obliczeń projektowych i wyników prób wykonanych na prototypach. Dlatego też, ze względu na to, że jest to tylko oszacowanie, nie stanowi żadnej gwarancji faktycznej trwałości produktu.

Aby ustalić prawdopodobny okres trwałości Waszego automatu, postąpić następująco:

01. Obliczyć wskaźnik intensywności, sumując wartości w procentach haseł z Tabeli 1.
02. Na **Wykresie A** od dopiero co znalezionej wartości, nakreślić pionową linię aż do skrzyżowania jej z zakretem; z tego miejsca nakreślić linię poziomą aż do skrzyżowania jej z linią "cykli ruchów". Określona wartość jest szacowaną trwałością Waszego produktu.

Przykład obliczenia trwałości siłownika LFAB(...) / BFAB(...). Odnieść się do Tabeli 1 i Wykresu A):

- 1) - Długość skrzydła: 3 m
- 2) - Ciężar skrzydła: 500 kg = wskaźnik intensywności: 30%.
- 3) - Montaż w strefach wietrznych = wskaźnik intensywności: 15%.
- 4) - Nieobecne inne elementy wysiłkowe.

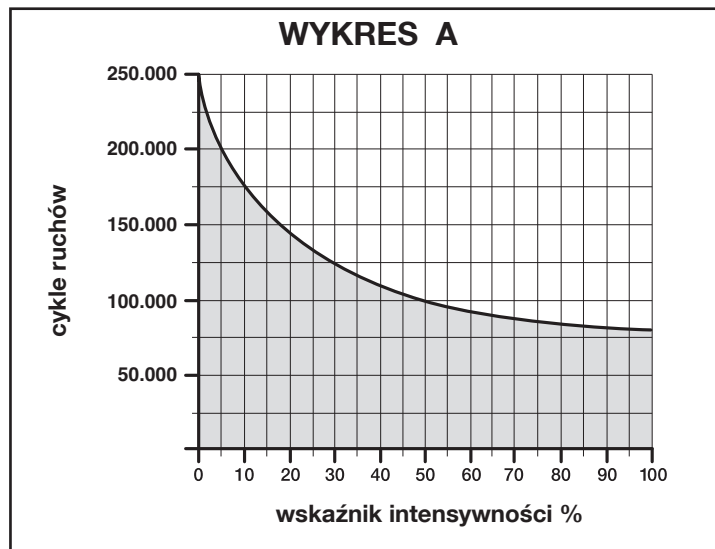
Szacowana trwałość = 45%

Durabilità stimata = 110.000 cykli ruchów

TABELA 1

Długość skrzydła (m)	≥ 2.00	2.01 ÷ 3.00	3.01 ÷ 4.00	4.01 ÷ 5.00
Ciężar skrzydła (kg)	Wskaźnik intensywności			
≤ 150	0 %	10 %	20 %	30 %
151 ÷ 350	10 %	20 %	30 %	40 %
351 ÷ 550	20 %	30 %	40 %	50 %
551 ÷ 750	30 %	40 %	50 %	-
751 ÷ 900	40 %	50 %	-	-
Temperatura otoczenia wyższa niż 40°C lub niższa niż 0°C lub wilgotność wyższa niż 80%				15 %
Ślepe skrzydło				20 %
Montaż w strefie wietrznej				15 %

WYKRES A



CECHY TECHNICZNE PRODUKTU

UWAGI: • Wszystkie podane cechy techniczne, odnoszą się do temperatury otoczenia 20°C (± 5°C). • Nice S.p.a. zastrzega sobie prawo wprowadzenia zmian w produkcie w jakimkolwiek momencie, gdy uzna to za konieczne, zachowując jednocześnie jego funkcjonalność i przeznaczenie.

	BFAB5024	LFAB4024	LFAB4000
Typologia	Siłownik elektromechaniczny do bramek lub bram skrzydłowych		
Zasilanie	24 V ===	24 V ===	230 V ~
Pobór szczytowy	7 A	5 A	1,5 A
Pobór maksymalny	2 A	1,5 A	1 A
Moc szczytowa	170 W	120 W	340 W
Moc maksymalna	50 W	36 W	180 W
Kondensator wbudowany	-	-	7µF
Stopień ochrony	IP 67		
Bieg	od 0° do 110° lub 360°		
Prędkość na biegu jałowym	0,8 rpm	1 rpm (1,25 rpm*)	0,85 rpm
Prędkość z momentem znamionowym	0,65 rpm	0,85 rpm	0,65 rpm
Moment maksymalny	400 Nm	300 Nm	500 Nm
Moment znamionowy	100 Nm	75 Nm	125 Nm
Temperatura funkcjonowania	od -20 °C do +50 °C		
Cykle/godzinę z momentem znam.	45	60	20
Trwałość	Szacowana na ok. 100.000 i 250.000 cykli ruchów, wg warunków podanych w Tabeli 1		
Wymiary	230 mm x 206 mm x h 88 mm	375 mm x 225 mm x h 110 mm	
Ciężar	15 kg (siłownik ze skrzynką fundamentową)	12,5 kg	14,3 kg

(*) - Wartość dotyczy napięcia zasilania 30 V.

1 ALGEMENE WAARSCHUWINGEN EN VOORZORGSMAATREGELEN VOOR DE VEILIGHEID

ALGEMENE WAARSCHUWINGEN

- **LET OP! - Belangrijke aanwijzingen voor de veiligheid. Leef alle voorschriften na, want een niet correct uitgevoerde installatie kan ernstige schade veroorzaken.**
- **LET OP! - Belangrijke aanwijzingen voor de veiligheid. Het is belangrijk dat deze instructies worden opgevolgd voor de veiligheid van personen. Bewaar deze instructies.**
- Voordat u begint met de installatie dient u de "Technische kenmerken van het product" (in deze handleiding) te controleren, in het bijzonder of dit product geschikt is voor uw geleide onderdeel. Als het product niet geschikt is, mag u NIET overgaan tot de installatie.
- Het product mag niet worden gebruikt voordat de inbedrijfstelling heeft plaatsgevonden zoals gespecificeerd in het hoofdstuk "Eindtest en inbedrijfstelling".
- **LET OP! - Volgens de meest recente Europese wetgeving moet het uitvoeren van een automatisering voldoen aan de geharmoniseerde normen van de geldende Machinerichtlijn, waarbij een verklaring van de conformiteit van de automatisering afgegeven kan worden. In verband hiermee moeten alle werkzaamheden in verband met de aansluiting op de elektrische voeding, de eindtest, de inbedrijfstelling en het onderhoud van het product uitsluitend worden uitgevoerd door een gekwalificeerde en deskundige monteur!**
- Voordat u met de installatie van het product begint, dient u te controleren of al het te gebruiken materiaal in optimale staat en geschikt voor gebruik is.
- **LET OP! - Om ieder risico op onvoorzien heropstarten van het thermische onderbrekingsmechanisme te vermijden, mag dit apparaat niet worden gevoed via een externe regelaar zoals een timer, noch worden aangesloten op een circuit dat regelmatig wordt in- of uitgeschakeld.**
- U moet op het spanningsnet van de installatie een uitschakelapparaat aansluiten (niet meegeleverd) met een openingsafstand tussen de contacten waarbij volledige uitschakeling mogelijk is bij de condities die gelden voor overspanningscategorie III.
- Behandel het product tijdens de installatie met zorg en voorkom dat het wordt geplet, dat er tegen wordt gestoten, dat het valt of dat het in aanraking komt met welke vloeistoffen dan ook. Zet het product niet in de buurt van warmtebronnen en stel het niet bloot aan open vuur. Hierdoor kan het beschadigd worden, waardoor storingen of gevaarlijke situaties kunnen ontstaan. Als dit gebeurt, stopt u de installatie onmiddellijk en wendt u zich tot de klantendienst.
- De fabrikant is niet aansprakelijk voor materiële schade, zowel aan personen als aan voorwerpen, die voortvloeit uit de niet-naleving van de montage-instructies. In die gevallen is enige garantie voor materiaalfouten uitgesloten.
- Het geluidsdrukkniveau van de gemeten emissie A bedraagt minder dan 70 dB(A).
- Voordat u werkzaamheden aan de installatie uitvoert (onderhoud, reiniging), moet het product altijd worden losgekoppeld van de netvoeding.
- Controleer de installatie regelmatig. Controleer met name de kabels, de veren en de steunen om eventuele verstoringen van de balancering en tekenen van slijtage of beschadiging in een vroeg stadium op te merken. Gebruik het apparaat nooit als het gerepareerd of opnieuw afgesteld moet worden; een storing in de installatie of een niet-correcte balancering van de automatisering kan tot letsel leiden.
- Het verpakkingsmateriaal moet volgens de plaatselijk geldende voorschriften afgevoerd worden.
- Houd personen uit de buurt van de poort wanneer deze wordt be-

wogen met behulp van de bedieningselementen.

- Controleer de automatisering tijdens het uitvoeren van de manoeuvre en houd personen op enige afstand tot de beweging voltooid is.
- Bedien het product niet als er personen in de buurt zijn die werkzaamheden op de automatisering uitvoeren; koppel de elektrische voeding los alvorens deze werkzaamheden te laten uitvoeren.
- Als de voedingskabel beschadigd is, moet deze worden vervangen door de fabrikant of door de technische ondersteuningdienst, of in ieder geval door een monteur met een vergelijkbare kwalificatie om ieder risico uit te sluiten.

WAARSCHUWINGEN M.B.T. DE INSTALLATIE

- Controleer voordat u de bewegingsmotor installeert of alle mechanische onderdelen in goede staat zijn, volgens de regels gebalanceerd zijn en of de automatisering correct kan worden gemanoeuvreed.
- Als het te automatiseren hek van een voetgangersdeur is voorzien, moet de installatie een controlesysteem krijgen, dat de werking van de motor blokkeert als de voetgangersdeur open is.
- Verzeker u ervan dat de bedieningselementen uit de buurt van de bewegende onderdelen worden gehouden, maar wel direct zicht op de poort geven. Tenzij u een schakelaar gebruikt, moeten de bedieningselementen op een hoogte van minimaal 1,5 m worden geïnstalleerd en mogen ze niet toegankelijk zijn.
- Voorkom en vermijd elke vorm van blokkering tussen de bewegende en vaste onderdelen tijdens de bewegingen.
- Breng het etiket m.b.t. de handmatige bediening permanent aan in de buurt van het bedieningselement waarmee de handmatige beweging wordt uitgevoerd.
- Verzeker u er na het installeren van de bewegingsmotor van dat het mechanisme, het beveiligingssysteem en alle bewegingen correct functioneren.

2 BESCHRIJVING VAN HET PRODUCT EN GEBRUIKSBESTEMMING

Dit product is bestemd om gebruikt te worden voor het automatiseren van hekken of poorten met scharnierende hekvleugels en uitsluitend in een woonomgeving.

LET OP! – Ledere vorm van gebruik, anders dan beschreven, dat plaatsvindt onder andere omgevingsvoorwaarden dan die, die in deze handleiding staan, moet als oneigenlijk en verboden worden beschouwd!

Het product is een elektromechanische reductiemotor. De reductiemotor wordt gevoed door de externe besturingskast waarop het aangesloten wordt.

In geval van een onderbreking van de elektrische energie (black-out), is het mogelijk om de vleugels van het hek te bewegen door de reductiemotor te deblokken met de daarvoor bestemde sleutel. Zie voor het uitvoeren van deze manuele manoeuvre hoofdstuk 8.

Het product is beschikbaar in de uitvoering:

- BFAB5024 met encoder, geschikt voor besturingskasten mod. MC824H.
- LFAB4024 met encoder, geschikt voor besturingskasten mod. MC824H.
- LFAB4000 met encoder, geschikt voor besturingskasten mod. A6F / A60.

LET OP! – Gebruik de reductiemotoren niet met niet compatibele besturingskasten.

3 INSTALLATIE

3.1 - Controles die aan de installatie voorafgaan

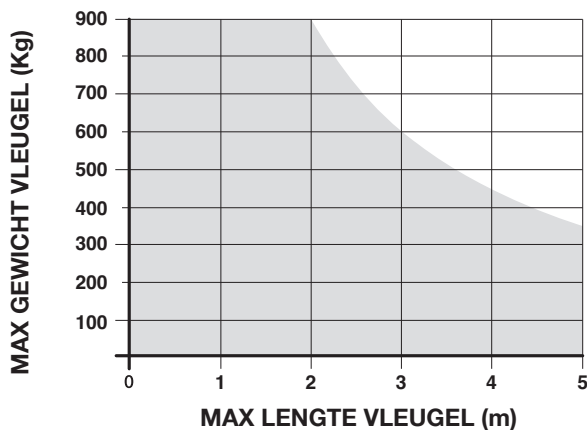
Alvorens tot de installatie over te gaan, is het noodzakelijk om de intacte staat van de componenten van het product te controleren, evenals de geschiktheid van het gekozen model en van de ruimte waarin de installatie plaatsvindt.

BELANGRIJK – de reductiemotor kan geen manueel hek automatiseren dat geen efficiënte en veilige mechanische structuur bezit. Bovendien kan het geen defecten verhelpen die veroorzaakt werden door een verkeerde installatie of door slecht onderhoud van het hek.

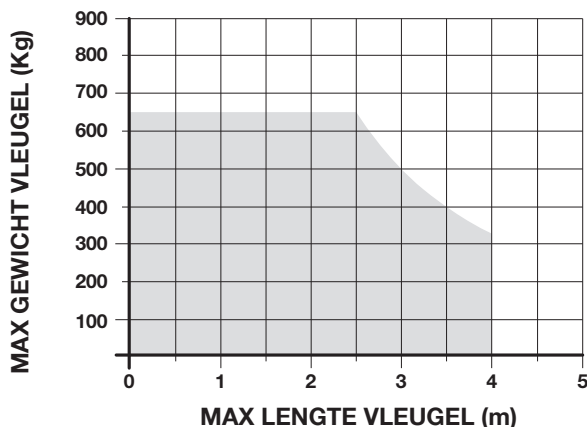
3.2 - Geschiktheid van het te automatiseren hek en de omringende ruimte

- Controleer of de mechanische structuur van het hek geschikt is om geautomatiseerd te worden in overeenstemming met de plaatselijk geldende normen (raadpleeg eventueel de gegevens op het etiket van het hek).

GRAFIEK 1 (mod. BFAB5024)



GRAFIEK 1 (mod. LFAB4024 / LFAB4000)



- Open en sluit de hekvleugel met de hand en controleer of de beweging plaatsvindt zonder wrijving, gelijkmatig en constant op ieder punt van het bewegings-traject (er mogen geen momenten van grotere inspanning zijn).
- Controleer of de vleugel van het hek in evenwicht blijft, dus niet beweegt wanneer het met de hand op ongeacht welke positie gezet en daar gelaten wordt.
- Controleer of de ruimte rondom de reductiemotor het mogelijk maakt om de vleugels van het hek gemakkelijk en veilig met de hand te deblokken.
- Zorg voor eindaanslagen op de grond voor zowel de opening als de sluiting van het hek.
- Controleer of de bevestigingszone van de reductiemotor compatibel is met het ruimtebeslag van de reductiemotor (afb. 1).

3.3 - Gebruikslimieten van het product

Alvorens het product te installeren, moet gecontroleerd worden of de vleugel van het hek de afmetingen en het gewicht heeft die zich binnen de limieten van grafiek 1 bevinden. Beoordeel ook de klimaatsomstandigheden (bijvoorbeeld sterke wind) in de plaats van installatie. Deze kunnen de waarden in de grafiek aanzienlijk verlagen.

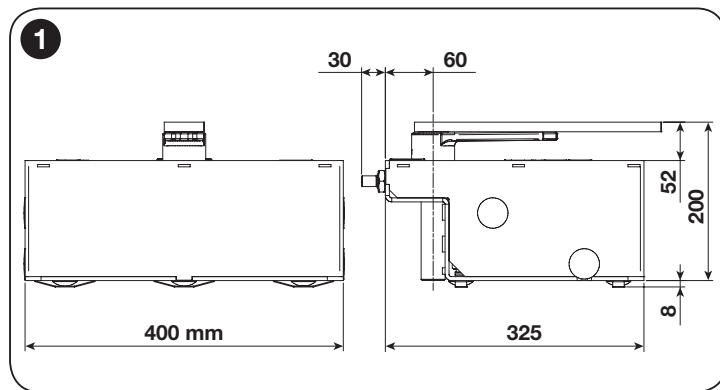
3.4 - Werken ter voorbereiding van de installatie

Afb. 2 toont een voorbeeld van een automatiseringsinstallatie die tot stand gebracht is met Nice componenten. Deze componenten zijn opgesteld volgens een typisch en gebruikelijk schema.

Raadpleeg afb. 2, en bepaal bij benadering de positie waarin iedere component van de installatie geïnstalleerd moet worden en het meeste geschikte aansluitschema.

3.5 - Bevestiging: Afmetingen in beslag genomen ruimte en positionering van de funderingskist

- 1 Graaf een ruim bemeten funderingsgat voor de funderingskist (afb. 3): zorg voor een afvoerkanal voor de afvoer van water om te voorkomen dat dit in het gat blijft staan.
- 2 Als de poort is uitgerust met eigen mechanische stops (afb. 2) gaat u rechtstreeks door naar punt 3. Anders bevestigt u het accessoire voor de eindaanslag van de openingsmanoeuvre op de kast (zie paragraaf 4).
- 3 Plaats de kist in de gegraven kuil waarbij de pin op één lijn staat met de as van het scharnier (afb. 3).
- 4 Breng een leiding voor de elektriciteitskabels aan en één voor drainage.
- 5 Stort het cement over de funderingskist waarbij u ervoor dient te zorgen dat deze waterpas en op de goede hoogte staat.



- 6 Stort het cement over de funderingskist waarbij u ervoor dient te zorgen dat deze waterpas en op de goede hoogte staat (afb. 4).
- 7 Laat de vleugel van het hek op de ontgrendelingshendel rusten en soldeer die goed vast.
- 8 Smeer via de daartoe bestemde smeeroening.

3.6 - Installatie van de reductiemotor LFAB(...) / BFAB(...)

- 1 Verwijder de moeren en borgringen, welke op de afbeelding rechts aangegeven zijn (afb. 5).
- 2 Plaats de reductiemotor in de funderingskist en zorg ervoor dat die in de goede richting aangebracht is.
- 3 Blokkeer de reductiemotor met de onderlegschijven en moeren die u eerder heeft verwijderd.
- 4 Bevestig de reductiemotor met de bevestigingshendel (2) aan de poort (afb. 4).

4 BEVESTIG DE EINDAANSLAG

Zie afb. 6.

5 ELEKTRISCHE AANSLUITINGEN

Waarschuwingen:

- De reductiemotor is voorzien van een elektrische voedingskabel met een lengte van 2 m. Indien de kabel voor de elektrische aansluitingen over een grotere afstand gelegd moet worden dient men een aftakkast te gebruiken (niet bijgeleverd). **BELANGRIJK! – Het is verboden om binnenin de funderingskist een verlenging van de voedingskabel tot stand te brengen.**
- **Voer de elektrische aansluitingen uit terwijl de netvoeding afgesloten is.**

Zie voor de aansluiting van de voedingskabel op de besturingskast de handleiding van de besturingskast en volg onderstaande aanwijzingen:

- Sluit voor de **LFAB4024** en **LFAB4000** de kabels als volgt aan:

DRAAD	AANSLUITING
Zwarte draad	Fase "open"
Bruine draad	Fase "sluit"
Grijze draad	Gemeenschappelijk
Geel-groene draad	Aarde

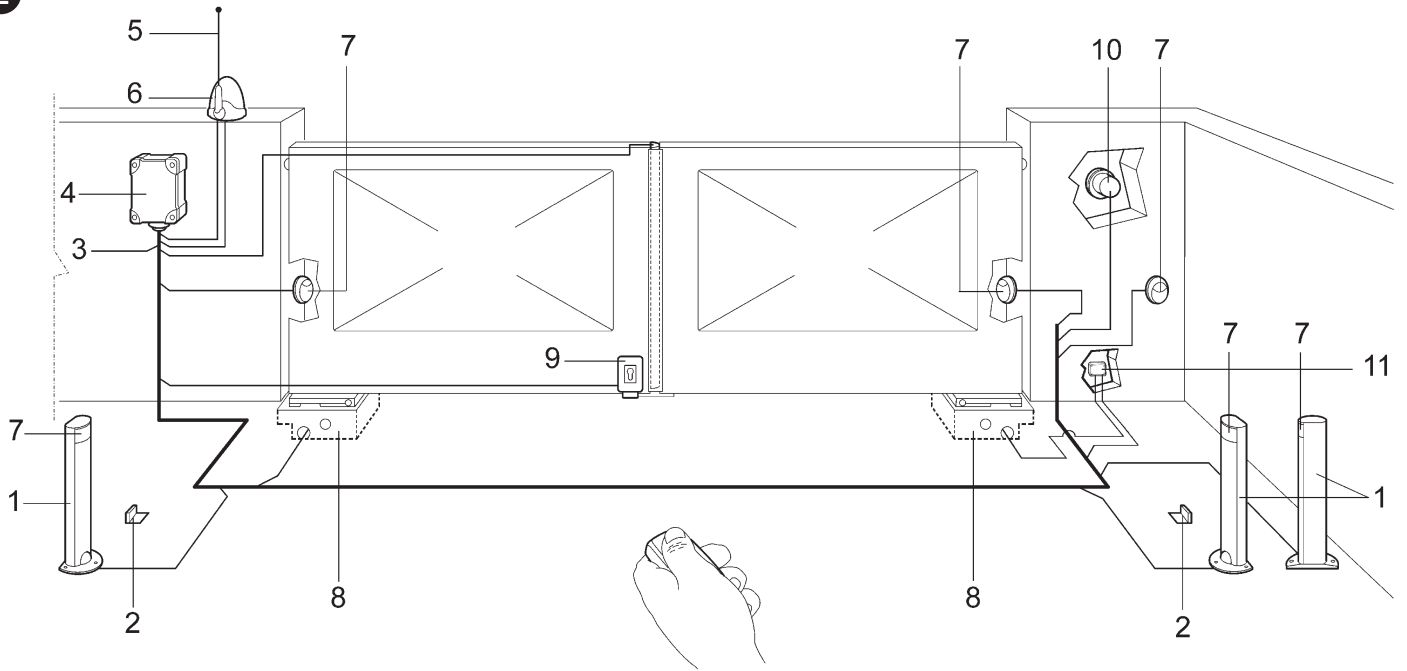
- Sluit voor de **BFAB5024** de kabels als volgt aan:

DRAAD	AANSLUITING
Blauwe draad	Voeding motor 24 V
Bruine draad	Voeding motor 24 V
Zwarte draad	Encoder
Grijze draad	Encoder
Geel-groene draad	Aarde

5.1 - Op bestelling leverbare accessoires

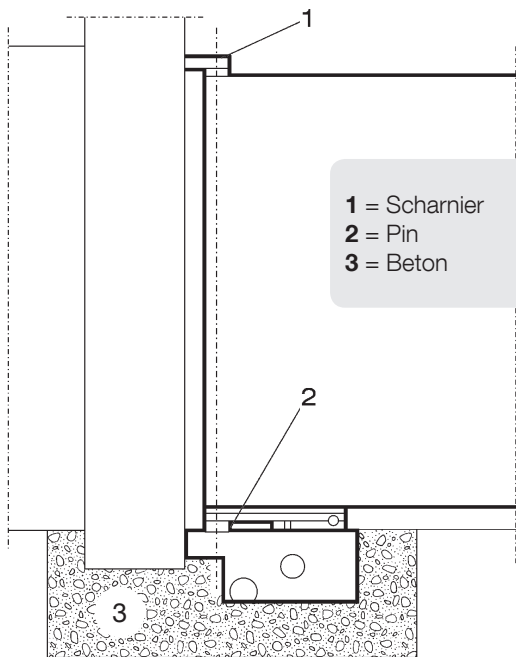
- PLA10 Verticaal 12 Vca-elektrisch slot
- PLA11 Horizontaal 12 Vca-elektrisch slot
- BMA1 Inrichting voor opening op 360°
- MEA2 Ontgrendeling met slot
- MEA3 Ontgrendeling met speciale hendel

2



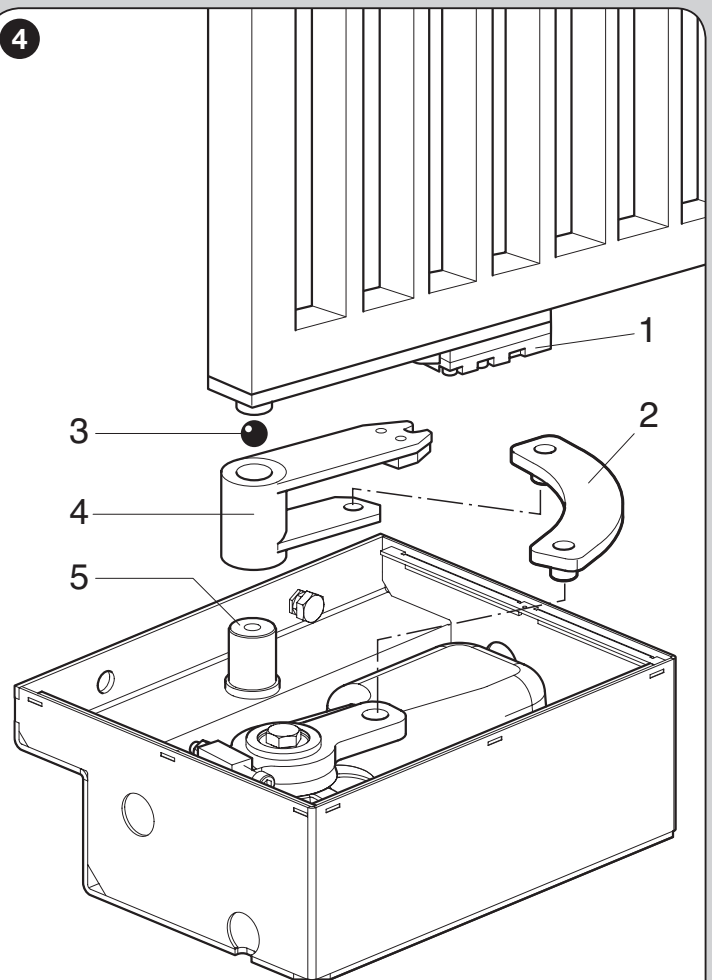
- | | | |
|--|----------------|--|
| 1 Zuiltje voor fotocel | ringseenheid) | 8 Kist met aandrijving LFAB(...) / BFAB(...) |
| 2 Stel stops bij opening | 5 Antenne | 9 Verticaal elektrisch slot |
| 3 Leiding 230V | 6 Knipperlicht | 10 Sleutelschakelaar of codeschakelaar |
| 4 Bedieningspaneel (elektrische bestu- | 7 Fotocellula | 11 Aftakdoos (niet meegeleverd) |

3



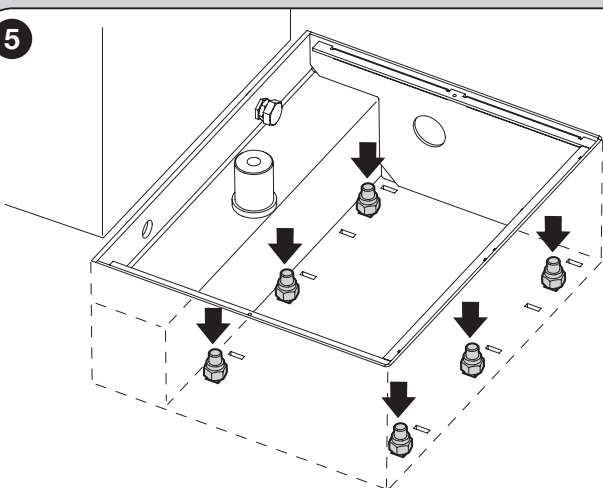
- 1 = Scharnier
2 = Pin
3 = Beton

4



- 1 = Ontgrendelingshendel
2 = Bevestigingshendel
3 = Kogel
4 = Aansturingsbeugel
5 = Pin

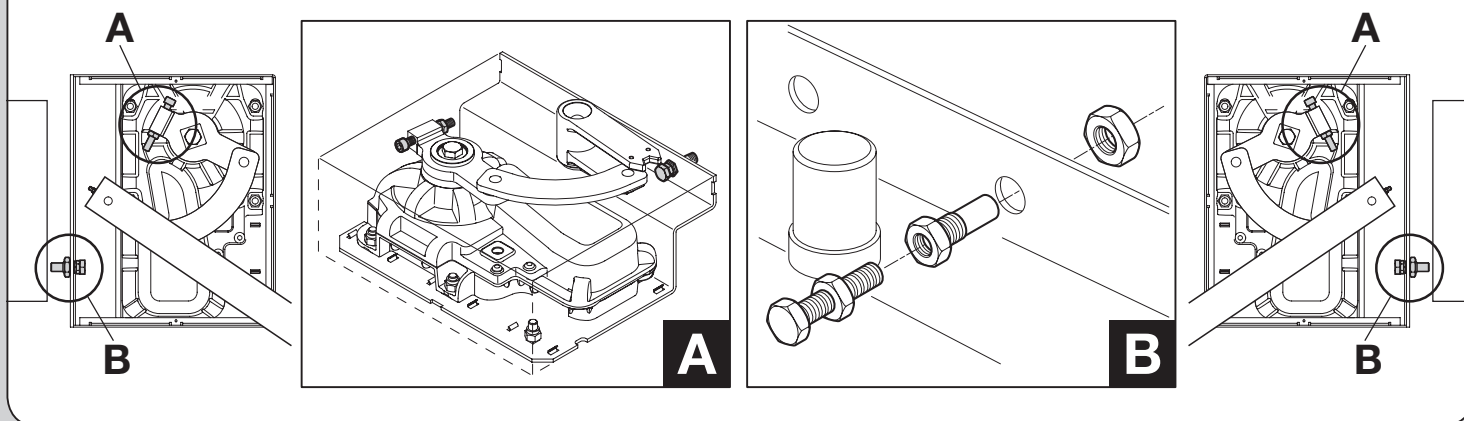
5



6

A - Eind aanslag bij sluiting (meegeleverd met de motor). Te bevestigen als op de afb. A.

B - Eind aanslag bij opening (meegeleverd met de kist). Te bevestigen als op de afb. B.



6 TESTEN EN INDIENSTSTELLING

Dit is de belangrijkste fase bij de totstandkoming van de automatisering waar het erom gaat de maximale veiligheid van de installatie te garanderen. De beschreven testprocedure kan ook gebruikt worden om regelmatig na te kijken of de voorzieningen waaruit de automatisering bestaat correct werken.

De testfasen en de indienststelling van de automatisering moeten uitgevoerd worden door gekwalificeerd en ervaren personeel dat de testen vaststelt die nodig zijn om de oplossingen te controleren die aangewend zijn met betrekking tot de aanwezige risico's en dat controleert of de voorschriften van wetten, normen en reglementen in acht genomen zijn: met name alle vereisten van de norm EN 13241-1 die de testmethoden voor de controle van de automatiseringen van hekken vaststelt.

6.1 - Testen

Alle afzonderlijke componenten van de automatisering, zoals bijvoorbeeld, gevoelige randen, fotocellen, noodstoppen enz., moeten aan een specifieke testfase worden onderworpen. Voor deze voorzieningen moeten de procedures gevolgd worden die in de respectievelijke handleidingen staan.

Voor de opleveringstest van LFAB(...) / BFAB(...) dient u als volgt te werk te gaan:

- 1 Controleer of, op het gebied van de veiligheid, de voorschriften van hoofdstuk 1 - Algemene waarschuwingen en voorzorgsmaatregelen voor de veiligheid - strikt in acht genomen zijn.
- 2 Zet het hek in de gesloten stand.
- 3 **LET OP! – Sluit iedere elektrische voedingsbron naar de besturingskast af.**
- 4 Deblokkeer de reductiemotor met de betreffende sleutel (lees hierover in Hoofdstuk 8).
- 5 Open de hekvleugel met de hand tot deze de maximaal geopende stand bereikt en controleer of tijdens de beweging geen punten van wrijving aanwezig zijn.
- 6 Controleer of de hekvleugel, die in ongeacht welke positie van zijn bewegingstraject gelaten is, niet beweegt.
- 7 Controleer of de veiligheidssystemen en de mechanische aanslagen in goede staat verkeren.
- 8 Controleer of de schroefverbindingen goed vastgedraaid zijn.
- 9 Reinig zonnodig de binnenkant van de funderingskist en controleer of de waterafvoer correct werkt.
- 10 Blokkeer de reductiemotor met de betreffende sleutel (lees hierover in Hoofdstuk 8).
- 11 Schakel de elektrische voeding naar de besturingskast in.
- 12 Meet de botskracht volgens hetgeen voorgeschreven wordt door de norm EN 12445. Indien de controle van de "motorkracht" door de besturingskast gebruikt wordt als hulp bij het systeem voor de afname van de botskracht, probeer dan de functies te regelen die de beste parameters bieden. LFAB(...) / BFAB(...) heeft geen inrichtingen om het koppel af te stellen, daarom is deze afstelling de taak van de besturingseenheid.
- 13 Breng op permanente wijze een sticker aan in een zone nabij de automatisering waarop beschreven wordt hoe de reductiemotor met de hand gedeblokkeerd kan worden.

6.2 - Indienststelling

De indienststelling kan alleen plaatsvinden nadat alle testfasen van de reductiemotor en van de andere aanwezige voorzieningen met goed resultaat doorlopen zijn. Raadpleeg voor de uitvoering van de indienststelling de handleiding met instructies van de besturingskast.

BELANGRIJK – De gedeeltelijke indienststelling of de indienststelling in "provisorische" situaties is verboden.

7 ONDERHOUD VAN HET PRODUCT

LFAB(...) / BFAB(...) vereist geen bijzonder onderhoud, maar een geprogrammeerde controle tenminste eens in het half jaar verzekert u ervan dat de reductiemotor langer mee zal gaan en dat het systeem correct en veilig zal werken.

Het onderhoud bestaat simpelweg uit het uitvoeren van de procedure met betrekking tot de opleveringstest.

VUILVERWERKING VAN HET PRODUCT

Dit product maakt integrerend deel uit van de automatisering en moet er dus samen mee worden afgedankt.

Net als bij de installatie moeten de ontmantelingswerkzaamheden aan het eind van het leven van het product door vakmensen worden verricht.

Dit product bestaat uit verschillende materialen: sommige kunnen worden gerecycled, andere moeten worden afgedankt. Win informatie in over de recycle- of afvoersystemen voorzien door de wettelijke regels, die in uw land voor deze productcategorie gelden.

Let op! – Sommige delen van het product kunnen vervuilende of gevaarlijke stoffen bevatten, die als ze in het milieu worden achtergelaten schadelijke effecten op het milieu en de gezondheid kunnen hebben.

Zoals door het symbool aan de zijkant wordt aangeduid, is het verboden dit product bij het huishoudelijk afval weg te gooien. Zamel de afval dus gescheiden in, volgens de wettelijke regels die in uw land gelden, of lever het product bij aankoop van een nieuw gelijkwaardig product bij de dealer in.

Let op! – de lokaal geldende wettelijke regels kunnen zware sancties opleggen als dit product verkeerd wordt afgedankt.



8 Instructies en aanwijzingen bestemd voor de gebruiker van de reductiemotor

Ook al beantwoordt de automatisering in uw bezit aan het in normen en wetten voorgeschreven veiligheidsniveau, dit sluit niet uit dat er een "restrisco" bestaat, dat wil zeggen de mogelijkheid dat er gevaarlijke situaties kunnen ontstaan, die gewoonlijk te wijten zijn aan onverantwoordelijk of zelfs verkeerd gebruik. Hierom willen wij u enige adviezen geven hoe u met de automatisering dient om te gaan teneinde elk eventueel probleem te voorkomen.

- **Voordat u de automatisering voor de eerste maal gaat gebruiken**, is het raadzaam u door de installateur te laten uitleggen waar de restrisco's ontstaan, en enkele minuten van uw tijd te besteden aan het lezen van deze handleiding met aanwijzingen en **aanbevelingen voor de gebruiker** die de installateur u overhandigd heeft. Bewaar deze handleiding voor eventuele toekomstige twijfels en geef haar aan een eventuele nieuwe eigenaar van de automatisering.

LET OP! - Uw automatisering is een machine die uw opdrachten trouw uitvoert. Onnadenkend en oneigenlijk gebruik kunnen het automatische gevaarlijk maken:

- Laat het automatische geen bewegingen uitvoeren indien mensen, dieren of voorwerpen zich in diens actieradius bevinden.
- Houd personen uit de buurt van de poort wanneer deze wordt bewogen met behulp van de bedieningselementen.
- Controleer de automatisering tijdens het uitvoeren van de manoeuvre en houd personen op enige afstand tot de beweging voltooid is.
- Het is absoluut verboden om de delen van de automatisering aan te raken terwijl het hek of de poort in beweging is!
- De fotocellen zijn geen veiligheidsvoorziening maar alleen een hulpvoorziening voor de veiligheid. Deze zijn geconstrueerd met een zeer betrouwbaar technologie maar kunnen in extreme situaties storingen ondergaan of zelfs kapot gaan en in zekere gevallen zou het defect niet onmiddellijk duidelijk zijn. Om deze redenen is het tijdens het gebruik van de automatisering nodig om op de volgende waarschuwingen te letten:
 - Doorgang is alleen toegestaan wanneer het hek of de poort volledig geopend is en de hekvleugels stilstaan
 - De doorgang is **ABSOLUUT VERBODEN** terwijl het hek of de poort aan het sluiten is!
 - Controleer regelmatig de correcte werking van de fotocellen en laat minstens om de 6 maanden de voorziene onderhoudscontroles uitvoeren.
- **Kinderen:**
 - Het product is niet bestemd voor gebruik door personen (inclusief kinderen) met lichamelijke, zintuiglijke of geestelijke beperkingen of met gebrek aan ervaring of kennis.
 - Kinderen mogen niet met het apparaat spelen.
 - Laat kinderen niet met de bedieningselementen van het product spelen. Houd de afstandsbedieningen buiten het bereik van kinderen.
 - Reinigings- en onderhoudswerkzaamheden die door de gebruiker kunnen worden uitgevoerd, mogen niet worden toevertrouwd aan kinderen die niet onder toezicht staan.

- **Afwijkingen:** indien afwijkend gedrag van het automatische van welke aard ook geconstateerd wordt, neem dan de elektrische voeding naar de installatie weg en verricht de manuele deblokkering van de reductiemotor (zie de respectievelijke handleiding met instructies) om het hek manueel te laten werken. Verricht zelf geen enkele reparatie maar vraag om de tussenkomst van uw vertrouwensinstallateur.

- **Onderhoud:** Om het veiligheidsniveau constant te houden en om de maximale levensduur van de volledige automatisering te garanderen, is het noodzakelijk om regelmatig onderhoud uit te voeren (om de 6 maanden). **Iedere ingreep die verband houdt met de controle, het onderhoud of de reparatie dient alleen te worden uitgevoerd door gekwalificeerd personeel.**

- Voordat u werkzaamheden aan de installatie uitvoert (onderhoud, reiniging), moet het product altijd worden losgekoppeld van de netvoeding.
- Bedien het product niet als er personen in de buurt zijn die werkzaamheden op de automatisering uitvoeren; koppel de elektrische voeding los alvorens deze werkzaamheden te laten uitvoeren.

- **De installatie en de parameters voor programmering en instelling van de besturingskast niet wijzigen:** dit is de verantwoordelijkheid van uw installateur.

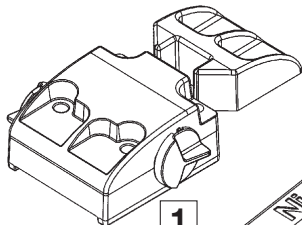
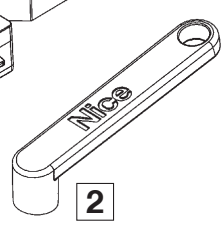
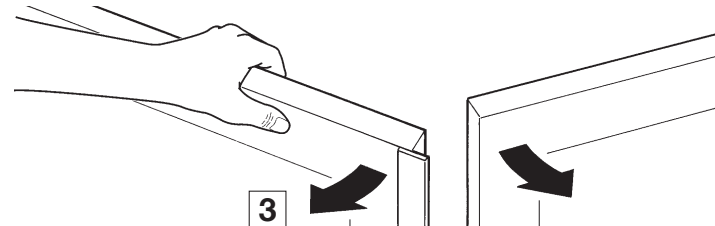
- **Het testen, het periodieke onderhoud en de eventuele reparaties moeten gedocumenteerd worden door degene die het werk uitvoert.** Deze documenten moeten bewaard worden door de eigenaar van de installatie. De enige ingrepen die de gebruiker zelf regelmatig kan uitvoeren, bestaat uit de reiniging van de ruitjes van de fotocellen (gebruik een zachte en enigszins vochtige doek) en uit de verwijdering van bladeren of stenen die de werking van het automatische zouden kunnen belemmeren. **Belangrijk** – Alvorens te beginnen en om te voorkomen dat iemand het hek onverhoeds kan activeren, moet de reductiemotor met de hand gedeblokkeerd worden (zie de respectievelijke handleiding met instructies).

- **Vuilverwerking:** aan het einde van de levensduur van de automatisering dient u te controleren of de ontmanteling uitgevoerd wordt door gekwalificeerd personeel en of het materiaal gerecycled wordt dan wel wordt weggegooid volgens de plaatselijk geldende normen.

- **Stuk gaan of afwezigheid voeding:** in afwachting van de tussenkomst van uw installateur of van de terugkeer van de elektrische energie, en indien de installatie geen bufferbatterij heeft, kan de automatisering toch gebruikt worden: de reductiemotor moet manueel gedeblokkeerd worden (zie de volgende paragraaf die daarover gaat) en de vleugel kan naar wens met de hand bewogen worden.

MANUEEL DEBLOKKEREN EN BLOKKEREN VAN DE REDUCTIEMOTOR

De reductiemotor is uitgerust met een mechanisch systeem waarmee het hek manueel geopend en gesloten kan worden. Deze manuele handelingen moeten uitgevoerd worden wanneer de elektrische stroom ontbreekt of er storingen in de werking zijn.

	Ontgrendeling met SLEUTEL type MEA2	Ontgrendeling met hendel type MEA3
1	Draai naar beneden het afdekplaatje van het slot naar beneden zoals dat op de afbeelding te zien is.	
2	Steek de sleutel erin en draai deze met de wijzers van de klok 90° om.	
3	Beweeg de vleugel handmatig. LOT OP! – Om de automatische werking te herstellen, relock het hek met de sleutel (draai de sleutel 90°, tegen de klok).	

Levensduur van het product

De duurzaamheid en de gemiddelde economische levensduur van het product. De waarde van de levensduur wordt sterk beïnvloed door de zwaarteindex van de door het automatische uitgevoerde manoeuvres: dit is de som van alle factoren die bijdragen aan de slijtage van het product (zie Tabel 1).

De schatting van de levensduur wordt uitgevoerd op grond van ontwerpberekeningen en resultaten van testen die op prototypes uitgevoerd zijn. Het betreft inderdaad een schatting en vormt geen enkele garantie voor de daadwerkelijke levensduur van het product.

Handel als volgt om de waarschijnlijke levensduur van uw automatische vast te stellen:

01. Bereken de zwaarteindex door de waarden in percenten van de items van **Tabel 1** bij elkaar op te tellen.
02. Traceer in **Grafiek A** vanuit de net gevonden waarde een verticale lijn tot de curve gekruist wordt. Traceer vanuit dit punt een horizontale lijn tot de lijn van de "manoeuurecycli" gekruist wordt. De vastgestelde waarde is de geschatte levensduur van uw product.

Voorbeeld van de berekening van de levensduur van een LFAB(...) / BFAB(...) reductiemotor. Raadpleeg tabel 1 en grafiek A:

- 1) - Lengte van de vleugel: 3 m
- 2) - Gewicht van de vleugel: 500 kg = zwaarteindex: 30%.
- 3) - Installatie in windrijke gebieden = zwaarteindex: 15%.
- 4) - Geen andere elementen voor moeheid aanwezig.

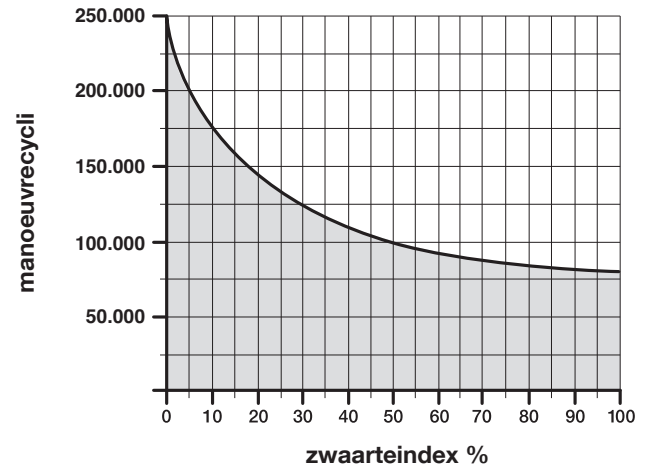
Totale zwaarteindex = 45%

Geschatte levensduur = 110.000 manoeuurecycli

TABEL 1

Lengte van de vleugel (m)	≥ 2.00	2.01 ÷ 3.00	3.01 ÷ 4.00	4.01 ÷ 5.00
Gewicht van de vleugel (kg)	Zwaarteindex			
≤ 150	0 %	10 %	20 %	30 %
151 ÷ 350	10 %	20 %	30 %	40 %
351 ÷ 550	20 %	30 %	40 %	50 %
551 ÷ 750	30 %	40 %	50 %	–
751 ÷ 900	40 %	50 %	–	–
Omgevingstemperatuur hoger dan 40°C of lager dan 0°C of vochtigheid hoger dan 80%				15 %
Blinde hekvleugel				20 %
Installatie in windrijke zone				15 %

GRAFIEK A



TECHNISCHE KENMERKEN VAN HET PRODUCT

WAARSCHUWINGEN: • Voor alle technische kenmerken die vermeld worden, wordt uitgegaan van een omgevingstemperatuur van 20°C (± 5°C). • Nice S.p.a. behoudt zich het recht voor om op ieder gewenst moment dat zij noodzakelijk acht wijzigingen op het product aan te brengen waarbij de werking en de gebruiksbestemming hoe dan ook gehandhaafd blijven.

	BFAB5024	LFAB4024	LFAB4000
Typologie	Elektromechanische reductiemotor voor hekken of poorten met scharnierende hekvleugels		
Voeding	24 V \equiv	24 V \equiv	230 V \sim
Piekabsorptie	7 A	5 A	1,5 A
Maximumabsorptie	2 A	1,5 A	1 A
Piekvermogen	170 W	120 W	340 W
Maximumvermogen	50 W	36 W	180 W
Ingebouwde condensator	–		7µF
Beschermklasse	IP 67		
Bewegingstraject	van 0° tot 110° of 360°		
Snelheid bij nullast	0,8 rpm	1 rpm (1,25 rpm*)	0,85 rpm
Snelheid bij het nominale koppel	0,65 rpm	0,85 rpm	0,65 rpm
Maximumkoppel	400 Nm	300 Nm	500 Nm
Nominaal koppel	100 Nm	75 Nm	125 Nm
Werktemperatuur	van -20 °C tot +50 °C		
Cycli/uur bij nominaal koppel	45	60	20
Duur	Schatting tussen circa 100.000 en 250.000 manoeuurecycli, onder de voorwaarden die in Tabel 1 staan		
Afmetingen	230 mm x 206 mm x h 88 mm	375 mm x 225 mm x h 110 mm	
Gewicht	15 kg (reductiemotor met funderingkast)	12,5 kg	14,3 kg

(*) - Waarde voor een voedingsspanning van 30V.

CE declaration of conformity and declaration of incorporation for a “quasi-machine”

Declaration in accordance with Directives: 2014/30/UE (EMC); 2006/42/EC (MD) annex II, part B.

Note - The content of this declaration corresponds to the declaration made in the official document filed in the offices of Nice S.p.a., and particularly the latest version thereof available prior to the printing of this manual. The text contained here has been adapted to meet editorial requirements. A copy of the original declaration may be requested from Nice S.p.a. (TV) I.

Declaration number: **389/LFAB-B** Revision: **5** Language: **EN**

Name of manufacturer: NICE S.p.A.

Address: Via Pezza Alta N°13, 31046 Rustignè di Oderzo (TV) Italy.

Person authorized to provide technical documentation: NICE S.p.A. – Via Pezza Alta N°13, 31046 Rustignè di Oderzo (TV) Italy.

Product type: Underground electro-mechanical gear motor for swing gates.

Model / Type: LFAB4024, LFAB4000, BFAB5024

Accessories: No accessory.

The undersigned Roberto Griffa, as Chief Executive Officer, hereby declares under his own responsibility that the products identified above comply with the provisions of the following directives:

- DIRECTIVE 2014/30/UE OF THE EUROPEAN PARLIAMENT AND COUNCIL of February 26 2014 concerning alignment of Member States' legislation regarding electromagnetic compatibility (consolidated text), according to the following harmonized standards: EN 61000-6-2:2005; EN 61000-6-3:2007 + A1:2011.

The product also complies with the following directive in accordance with the requirements for “quasi-machines”:

- Directive 2006/42/EC OF THE EUROPEAN PARLIAMENT AND COUNCIL of May 17 2006 regarding machines and amending directive 95/16/EC (consolidated text).
- I declare that the pertinent technical documentation has been prepared in accordance with Annex VII B to Directive 2006/42/EC and that the following essential requirements have been met: 1.1.1 - 1.1.2 - 1.1.3 - 1.2.1 - 1.2.6 - 1.5.1 - 1.5.2 - 1.5.5 - 1.5.6 - 1.5.7 - 1.5.8 - 1.5.10 - 1.5.11.
- The manufacturer agrees to send the national authorities pertinent information on the “quasi-machine” in response to a motivated request without affecting its intellectual property rights.
- If the “quasi-machine” is operated in a European country with an official language other than the language used in this declaration, the importer must associate a translation with this declaration.
- The “quasi-machine” must not be operated until the final machine in which it is to be incorporated is declared to conform to the provisions of Directive 2006/42/EC, if applicable to it.

The product also complies with the following standards: EN 60335-1:2002 + A1:2004 + A11:2004 + A12:2006 + A2:2006 + A13:2008 + A14:2010 + A15:2011; EN 60335-2-103:2003 + A11:2009.

The parts of the product which are subject to the following standards comply with them: EN 13241-1:2003 + A1:2011; EN 12445:2002; EN 12453:2002; EN 12978:2003 + A1:2009.

Oderzo, April 21 2016



Eng. **Roberto Griffa**
(Chief Executive Officer)

Dichiarazione CE di conformità e dichiarazione di incorporazione di “quasi macchina”

Dichiarazione in accordo alle Direttive: 2014/30/UE (EMC); 2006/42/CE (MD) allegato II, parte B.

Nota - Il contenuto di questa dichiarazione corrisponde a quanto dichiarato nel documento ufficiale depositato presso la sede di Nice S.p.a., e in particolare, alla sua ultima revisione disponibile prima della stampa di questo manuale. Il testo qui presente è stato riadattato per motivi editoriali. Copia della dichiarazione originale può essere richiesta a Nice S.p.a. (TV) I.

Numero dichiarazione: **389/LFAB-B** Revisione: **5** Lingua: **IT**

Nome produttore: NICE s.p.a.

Indirizzo: Via Pezza Alta N°13, 31046 Rustignè di Oderzo (TV) Italia.

Persona autorizzata a costituire la documentazione tecnica: NICE s.p.a. – Via Pezza Alta N°13, 31046 Rustignè di Oderzo (TV) Italia.

Tipo di prodotto: Motoriduttore elettromeccanico interrato, per cancelli a battente.

Modello / Tipo: LFAB4024, LFAB4000, BFAB5024

Accessori: Nessun accessorio.

Il sottoscritto Roberto Griffa, in qualità di Amministratore Delegato, dichiara sotto la propria responsabilità che i prodotti sopra indicati risultano conformi alle disposizioni imposte dalle seguenti direttive:

- DIRETTIVA 2014/30/UE DEL PARLAMENTO EUROPEO E DEL CONSIGLIO del 26 febbraio 2014 concernente il ravvicinamento delle legislazioni degli Stati membri relative alla compatibilità elettromagnetica (rifusione), secondo le seguenti norme armonizzate: EN 61000-6-2:2005; EN 61000-6-3:2007 + A1:2011.

Inoltre il prodotto risulta essere conforme alla seguente direttiva secondo i

requisiti previsti per le “quasi macchine”:

- Direttiva 2006/42/CE DEL PARLAMENTO EUROPEO E DEL CONSIGLIO del 17 maggio 2006 relativa alle macchine e che modifica la direttiva 95/16/CE (rifusione).
- Si dichiara che la documentazione tecnica pertinente è stata compilata in conformità all'allegato VII-B della direttiva 2006/42/CE e che sono stati rispettati i seguenti requisiti essenziali: 1.1.1 - 1.1.2 - 1.1.3 - 1.2.1 - 1.2.6 - 1.5.1 - 1.5.2 - 1.5.5 - 1.5.6 - 1.5.7 - 1.5.8 - 1.5.10 - 1.5.11.
- Il produttore si impegna a trasmettere alle autorità nazionali, in risposta ad una motivata richiesta, le informazioni pertinenti sulla “quasi macchina”, mantenendo impregiudicati i propri diritti di proprietà intellettuale.
- Qualora la “quasi macchina” sia messa in servizio in un paese europeo con lingua ufficiale diversa da quella usata nella presente dichiarazione, l'importatore ha l'obbligo di associare alla presente dichiarazione la relativa traduzione.
- Si avverte che la “quasi macchina” non dovrà essere messa in servizio finché la macchina finale in cui sarà incorporata non sarà a sua volta dichiarata conforme, se del caso, alle disposizioni della direttiva 2006/42/CE.

Inoltre il prodotto risulta conforme alle seguenti norme: EN 60335-1:2002 + A1:2004 + A11:2004 + A12:2006 + A2:2006 + A13:2008 + A14:2010 + A15:2011; EN 60335-2-103:2003 + A11:2009.

Il prodotto risulta conforme, limitatamente alle parti applicabili, alle seguenti norme: EN 13241-1:2003 + A1:2011; EN 12445:2002; EN 12453:2002; EN 12978:2003 + A1:2009.

Oderzo, 21 Aprile 2016



Ing. **Roberto Griffa**
(Amministratore Delegato)

Déclaration CE de conformité et déclaration d'incorporation de « quasi-machine »

Déclaration conforme aux Directives : 2014/30/UE (EMC); 2006/42/CE (MD) annexe II, partie B.

Note - Le contenu de cette déclaration correspond à ce qui a été déclaré dans le document officiel déposé au siège social de Nice S.p.A. et, en particulier, à la dernière mise à jour disponible avant l'impression de ce manuel. Le présent texte a été réadapté pour raisons d'édition. Une copie de la déclaration originale peut être demandée à Nice S.p.a. (TV) - Italie.

Numéro de déclaration : **389/LFAB-B** Révision : **5** Langue : **FR**

Nom du fabricant : NICE s.p.a.

Adresse : Via Pezza Alta N°13, 31046 Rustignè di Oderzo (TV) Italie.

Personne autorisée à constituer la documentation technique : NICE s.p.a. - Via Pezza Alta N°13, 31046 Rustignè di Oderzo (TV) Italie.

Type de produit : Motorréducteur électromécanique enterré, pour portails battants.

Modèle / Type : LFAB4024, LFAB4000, BFAB5024

Accessoires : Aucun accessoire.

Le soussigné Roberto Griffa, en qualité de Chief Executive Officer, déclare sous son entière responsabilité que les produits sus-indiqués sont conformes aux dispositions prescrites par les directives suivantes :

- DIRECTIVE 2014/30/UE DU PARLEMENT EUROPÉEN ET DU CONSEIL du 26 février 2014 relative au rapprochement des législations des États membres concernant la compatibilité électromagnétique (refonte), selon les normes harmonisées suivantes : EN 61000-6-2:2005; EN 61000-6-3:2007 + A1:2011.

En outre, le produit s'avère conforme à la Directive ci-après selon les conditions essentielles requises pour les « quasi-machines » :

- Directive 2006/42/CE DU PARLEMENT EUROPÉEN ET DU CONSEIL du 17 mai 2006 relative aux machines et modifiant la Directive 95/16/CE (refonte).

- Nous déclarons que la documentation technique pertinente a été remplie conformément à l'Annexe VII B de la Directive 2006/42/CE et que les conditions essentielles suivantes ont été respectées : 1.1.1 - 1.1.2 - 1.1.3 - 1.2.1 - 1.2.6 - 1.5.1 - 1.5.2 - 1.5.5 - 1.5.6 - 1.5.7 - 1.5.8 - 1.5.10 - 1.5.11.
- Le fabricant s'engage à transmettre aux autorités nationales, en réponse à une demande motivée, les renseignements pertinents sur la « quasi-machine », sans préjudice de ses droits de propriété intellectuelle.
- Si la « quasi-machine » est mise en service dans un pays européen dont la langue officielle est différente de celle employée dans la présente déclaration, l'importateur est tenu d'accompagner la présente déclaration de la traduction y afférente.
- Nous avertissons que la « quasi-machine » ne devra pas être mise en service tant que la machine finale à laquelle elle sera incorporée n'aura pas à son tour été déclarée conforme, s'il y a lieu, aux dispositions de la Directive 2006/42/CE.

En outre, le produit s'avère conforme aux normes suivantes : EN 60335-1:2002 + A1:2004 + A11:2004 + A12:2006 + A2:2006 + A13:2008 + A14:2010 + A15:2011; EN 60335-2-103:2003 + A11:2009.

Le produit s'avère conforme, limitativement aux parties applicables, aux normes suivantes : EN 13241-1:2003 + A1:2011; EN 12445:2002; EN 12453:2002; EN 12978:2003 + A1:2009.

Oderzo, le 21 avril 2016

Ing. **Roberto Griffa**
(Chief Executive Officer)



Declaración CE de conformidad y declaración de incorporación de una « cuasi máquina »

Declaración de conformidad con las Directivas: 2014/30/UE (CEM); 2006/42/CE (DM), anexo II, parte B.

Nota: el contenido de la presente declaración se corresponde con cuanto se declara en el documento oficial presentado en la sede de Nice S.p.a. y, en particular, con la última revisión disponible antes de la impresión de este manual. El texto aquí contenido se ha adaptado por cuestiones editoriales. No obstante, se puede solicitar una copia de la declaración original a Nice S.p.a. (TV) I.

Número de declaración: **389/LFAB-B** Revisión: **5** Idioma: **ES**

Nombre del fabricante: NICE S.p.A.

Dirección: Via Pezza Alta N°13, 31046 Rustignè di Oderzo (TV), Italia.

Persona autorizada para elaborar la documentación técnica: NICE S.p.A. - Via Pezza Alta N°13, 31046 Rustignè di Oderzo (TV), Italia.

Tipo de producto: Motorreductor electromecánico enterrado, para puertas batientes.

Modelo/Tipo: LFAB4024, LFAB4000, BFAB5024

Accesorios: Ninguno accesorio.

El abajo firmante Roberto Griffa, en calidad de Chief Executive Officer, bajo su propia responsabilidad, declara que los productos arriba indicados cumplen con las disposiciones contempladas en las siguientes Directivas:

- DIRECTIVA 2014/30/UE DEL PARLAMENTO EUROPEO Y DEL CONSEJO, de 26 de febrero de 2014, relativa a la aproximación de las legislaciones de los Estados miembros en materia de compatibilidad electromagnética (refundición), según las siguientes normas armonizadas: EN 61000-6-2:2005; EN 61000-6-3:2007 + A1:2011.

Asimismo, el producto también cumple con la siguiente Directiva de conformidad con los requisitos previstos para las « cuasi máquinas »:

- Directiva 2006/42/CE DEL PARLAMENTO EUROPEO Y DEL CONSEJO de 17 de mayo de 2006 relativa a las máquinas y por la que se modifica

la Directiva 95/16/CE (refundición).

- Se declara que la documentación técnica correspondiente se ha elaborado de conformidad con el anexo VII B de la Directiva 2006/42/CE y que se han respetado los siguientes requisitos fundamentales: 1.1.1 - 1.1.2 - 1.1.3 - 1.2.1 - 1.2.6 - 1.5.1 - 1.5.2 - 1.5.5 - 1.5.6 - 1.5.7 - 1.5.8 - 1.5.10 - 1.5.11.
- El fabricante se compromete a remitir a las autoridades nacionales, previa solicitud justificada, la información pertinente acerca de la « cuasi máquina », sin perjudicar en ningún momento los propios derechos de propiedad intelectual.
- En caso de que la « cuasi máquina » se ponga en funcionamiento en un país europeo cuya lengua oficial difiera de la que se utiliza en la presente declaración, el importador tiene la obligación de asociar la traducción correspondiente a esta declaración.
- Se advierte que la « cuasi máquina » no debe ponerse en funcionamiento hasta que, si procede, no se declare la conformidad con las disposiciones contempladas en la Directiva 2006/42/CE de la máquina final en que será incorporada.

El producto también cumple con las siguientes normas: EN 60335-1:2002 + A1:2004 + A11:2004 + A12:2006 + A2:2006 + A13:2008 + A14:2010 + A15:2011; EN 60335-2-103:2003 + A11:2009.

El producto, con limitación a las partes aplicables, también cumple con las siguientes normas: EN 13241-1:2003 + A1:2011; EN 12445:2002; EN 12453:2002; EN 12978:2003 + A1:2009.

Oderzo, 21 de abril 2016

Ing. **Roberto Griffa**
(Chief Executive Officer)



CE-Konformitätserklärung und Einbauerklärung der „unvollständigen Maschine“

Erklärung in Übereinstimmung mit den Richtlinien: 2014/30/UE (EMV); 2006/42/EG (MD) Anlage II, Teil B.

Anmerkung - Der Inhalt dieser Erklärung entspricht den Angaben im offiziellen Dokument, das im Sitz der Nice S.p.A. hinterlegt ist und der letzten verfügbaren Revision vor dem Druck dieser Anleitung. Dieser Text wurde aus redaktionellen Gründen angepasst. Die Kopie der Original-Erklärung kann bei der Firma Nice S.p.A. (TV) I. angefordert werden.

Numer der Erklärung: **389/LFAB-B** Revision: **5** Sprache: **DE**

Name des Herstellers: NICE s.p.a.

Adresse: Via Pezza Alta N°13, 31046 Rustignè di Oderzo (TV) Italy.

Bevollmächtigte Person zum Zusammenstellen der technischen Unterlagen: NICE s.p.a. – Via Pezza Alta N°13, 31046 Rustignè di Oderzo (TV) Italy

Art des Produkts: Elektromechanischer Unterflur-Toröffner, für Drehtore.

Modell / Typ: LFAB4024, LFAB4000, BFAB5024

Zubehör: Kein Zubehör.

Der Unterzeichnende Roberto Griffa, in seiner Funktion als Chief Executive Officer, erklärt auf eigene Verantwortung, dass die oben genannten Produkte den Bestimmungen entsprechen, die in folgenden Richtlinien enthalten sind:

- RICHTLINIE 2014/30/UE DES EUROPÄISCHEN PARLAMENTS UND DES RATES vom 26. Februar 2014 zur Angleichung der Rechtsvorschriften der Mitgliedsstaaten über die elektromagnetische Verträglichkeit (Überarbeitung), gemäß den folgenden harmonisierten Normen: EN 61000-6-2:2005; EN 61000-6-3:2007 + A1:2011.

Außerdem entspricht das Produkt folgender Richtlinie, entsprechend der vorgesehenen Anforderungen für die „unvollständigen Maschinen“:

- Richtlinie 2006/42/EG DES EUROPÄISCHEN PARLAMENTS UND DES RATES vom 17. Mai 2006 über Maschinen, welche die Richtlinie 95/16/

EG ändert (Überarbeitung).

- Hiermit wird erklärt, dass die entsprechenden technischen Unterlagen in Übereinstimmung mit Anlage VII B der Richtlinie 2006/42/EG zusammengestellt und die folgenden wesentlichen Anforderungen eingehalten wurden: 1.1.1 - 1.1.2 - 1.1.3 - 1.2.1 -1.2.6 - 1.5.1 -1.5.2 - 1.5.5 - 1.5.6 - 1.5.7 - 1.5.8 - 1.5.10 - 1.5.11.
- Der Hersteller verpflichtet sich, die Informationen über die „unvollständige Maschine“ auf Verlangen an die nationalen Behörden weiterzuleiten, wobei die eignen Rechte des geistigen Eigentums beibehalten werden.
- Wenn die „unvollständige Maschine“ in einem europäischen Land in Betrieb genommen wird, deren offizielle Sprache nicht der in dieser Erklärung entspricht, ist der Importeur verpflichtet, dieser Erklärung die entsprechende Übersetzung beizulegen.
- Wir weisen darauf hin, dass die „unvollständige Maschine“ erst dann in Betrieb genommen werden darf, wenn gegebenenfalls festgestellt wurde, dass die Maschine, in die die unvollständige Maschine eingebaut werden soll, den Bestimmungen der Richtlinie 2006/42/EG entspricht.

Außerdem entspricht das Produkt folgenden Normen: EN 60335-1:2002 + A1:2004 + A11:2004 + A12:2006 + A2:2006 + A13:2008 + A14:2010 + A15:2011; EN 60335-2-103:2003 + A11:2009.

Das Produkt entspricht, auf die anwendbaren Teile begrenzt, folgenden Normen: EN 13241-1:2003 + A1:2011; EN 12445:2002; EN 12453:2002; EN 12978:2003 + A1:2009.

Oderzo, 21. April 2016

Ing. **Roberto Griffa**
(Chief Executive Officer)



Deklaracja zgodności CE i deklaracja włączenia maszyny nieukończonyj

Deklaracja zgodna z dyrektywami: 2014/30/UE (EMC); 2006/42/WE (MD) załącznik II, część B.

Uwaga - Treść niniejszej deklaracji jest zgodna z oficjalną deklaracją zdeponowaną w siedzibie Nice S.p.a., a w szczególności z najnowszą wersją dostępną przed wydrukowaniem niniejszego podręcznika. Niniejszy tekst został dostosowany pod kątem wydawniczym. Kopię oryginalnej deklaracji zgodności można otrzymać od firmy Nice S.p.a. (TV) I.

Numer deklaracji: **389/LFAB-B** Weryfikacja: **5** Język: **PL**

Nazwa producenta: NICE s.p.a.

Adres: Via Pezza Alta N°13, 31046 Rustignè di Oderzo (TV), Włochy.

Osoba upoważniona do sporządzenia dokumentacji technicznej: NICE s.p.a. – Via Pezza Alta N°13, 31046 Rustignè di Oderzo (TV), Włochy.

Typ produktu: Siłownik elektromechaniczny zakopany w ziemi, do bram skrzydłowych.

Model/Typ: LFAB4024, LFAB4000, BFAB5024

Akcesoria: Nie urządzenia.

Ja, niżej podpisany Roberto Griffa, jako Chief Executive Officer deklaruje na własną odpowiedzialność, że wyżej wymienione produkty są zgodne z następującymi dyrektywami:

- Dyrektywa PARLAMENTU EUROPEJSKIEGO I RADY 2014/30/UE z dnia 26 lutego 2014 r. w sprawie ujednoczenia prawodawstwa państw członkowskich w zakresie zgodności elektromagnetycznej (przekształcenie), zgodnie z następującymi normami zharmonizowanymi: EN 61000-6-2:2005; EN 61000-6-3:2007 + A1:2011.

Ponadto produkt jest zgodny z następującą dyrektywą w zakresie wymagań dotyczących maszyn nieukończonych:

- Dyrektywa PARLAMENTU EUROPEJSKIEGO I RADY NR 2006/42/WE z dnia 17 maja 2006 r. dotycząca maszyn, zmieniająca dyrektywę 95/16/WE (przekształcenie).


- Niżej podpisany deklaruje, że stosowna dokumentacja techniczna została sporządzona zgodnie z załącznikiem VII B dyrektywy 2006/42/WE oraz, że spełnione zostały następujące wymagania podstawowe: 1.1.1 - 1.1.2 - 1.1.3 - 1.2.1 -1.2.6 - 1.5.1 -1.5.2 - 1.5.5 - 1.5.6 - 1.5.7 - 1.5.8 - 1.5.10 - 1.5.11.
- Producent zobowiązuje się do przekazania władzom krajowym, w odpowiedzi na uzasadnione zapytanie, informacji dotyczących maszyny nieukończonyj, zachowując całkowicie swoje prawa do własności intelektualnej.
- Jeżeli maszyna nieukończonyj oddana zostanie do eksploatacji w kraju europejskim, którego język urzędowy jest inny niż język niniejszej deklaracji, importer ma obowiązek dołączyć do niniejszej deklaracji stosowne tłumaczenie.
- Ostrzegamy, że maszyny nieukończonyj nie należy uruchamiać do czasu, kiedy maszyna końcowa, do której zostanie włączonyj, nie uzyska deklaracji zgodności (jeżeli wymagana,) z założeniami dyrektywy 2006/42/WE.

Ponadto produkt jest zgodny z następującymi normami: EN 60335-1:2002 + A1:2004 + A11:2004 + A12:2006 + A2:2006 + A13:2008 + A14:2010 + A15:2011; EN 60335-2-103:2003 + A11:2009.

Produkt jest zgodny z następującymi normami (w zakresie mających zastosowanie części): EN 13241-1:2003 + A1:2011; EN 12445:2002; EN 12453:2002; EN 12978:2003 + A1:2009.

Oderzo, dnia 21 kwiecień 2016 roku

Ing. **Roberto Griffa**
(Chief Executive Officer)



CE-verklaring van overeenstemming en inbouwverklaring betreffende niet voltooide machines

Verklaring conform Richtlijnen: 2014/30/UE (EMC); 2006/42/CE (MD) bijlage II, deel B.

Opmerking - De inhoud van deze verklaring komt overeen met hetgeen is vastgelegd in het officiële document dat is gedeponneerd ten kantore van Nice S.p.a., en in het bijzonder met de laatste herziene en beschikbare versie ervan, vóór het drukken van deze handleiding. De hier gepresenteerde tekst is herzien om redactionele redenen. Een copie van de oorspronkelijke verklaring kan worden aangevraagd bij Nice S.p.a. (TV) Italië.

Nummer verklaring: **389/LFAB-B** Revisie: **5** Taal: **NL**

Naam fabrikant: NICE s.p.a.

Adres: Via Pezza Alta N°13, 31046 Rustignè di Oderzo (TV), Italië

Persoon gemachtigd tot het samenstellen van het technisch dossier: NICE s.p.a. – Via Pezza Alta N°13, 31046 Rustignè di Oderzo (TV), Italië

Type product: Elektromechanische reductiemotor ondergronds, voor draaiporten.

Model / Type: LFAB4024, LFAB4000, BFAB5024

Accessoires: Geen uitrustingen.

Ondergetekende Roberto Griffa, verklaart onder eigen verantwoordelijkheid als Chief Executive Officer dat de producten voldoen aan de vereisten van de hierop volgende richtlijnen:

- RICHTLIJN 2014/30/UE VAN HET EUROPEES PARLEMENT EN DE RAAD VAN DE EUROPESE UNIE van 15 december 2004 betreffende de onderlinge aanpassing van de wetgevingen van de lidstaten inzake elektromagnetische compatibiliteit en tot wijziging van richtlijn 89/336/EEG, volgens de hierop volgende geharmoniseerde normen: EN 61000-6-2:2005; EN 61000-6-3:2007 + A1:2011.

Bovendien voldoet het product aan de hierop volgende richtlijn volgens de voor "pseudo machines" geldende vereisten:

- Richtlijn 2006/42/EG VAN HET EUROPEES PARLEMENT EN DE RAAD VAN DE EUROPESE UNIE van 17 mei 2006 betreffende machines en tot wijziging van Richtlijn 95/16/EG (herschikking).
- Hierbij verklaart men dat het relevante technische dossier is ingevuld volgens de aanwijzingen in bijlage VII B van de richtlijn 2006/42/EG en dat daarbij aan de hierop volgende verplichte eisen is voldaan: 1.1.1 - 1.1.2 - 1.1.3 - 1.2.1 - 1.2.6 - 1.5.1 - 1.5.2 - 1.5.5 - 1.5.6 - 1.5.7 - 1.5.8 - 1.5.10 - 1.5.11.
- De fabrikant zal zorgdragen voor de overdracht van informatie betreffende de niet voltooide machine, op speciaal verzoek van de wetgevende instanties zonder daarbij schade te doen toekomen aan zijn eigen intellectueel eigendomsrecht.
- Mocht de onvoltooide machine in gebruik worden genomen in een land waar een andere taal wordt gesproken dan in deze verklaring is gebruikt, is de importeur verplicht de vertaling van het desbetreffende document aan de documentatie toe te voegen.
- Het is niet toegestaan de niet voltooide machine in gebruik te nemen voordat de uiteindelijke machine waarop deze zal worden ingebouwd, en indien van toepassing geschikt is verklaard volgens de richtlijn 2006/42/EG.

Bovendien voldoet het product aan de hierop volgende normen: EN 60335-1:2002 + A1:2004 + A11:2004 + A12:2006 + A2:2006 + A13:2008 + A14:2010 + A15:2011; EN 60335-2-103:2003 + A11:2009.

Het product voldoet, waar van toepassing, aan de hierop volgende normen: EN 13241-1:2003 + A1:2011; EN 12445:2002; EN 12453:2002; EN 12978:2003 + A1:2009.

Oderzo, 21 april 2016

Ing. **Roberto Griffa**
(Chief Executive Officer)

