

**PROPOSED PLAN**  
(1:100)



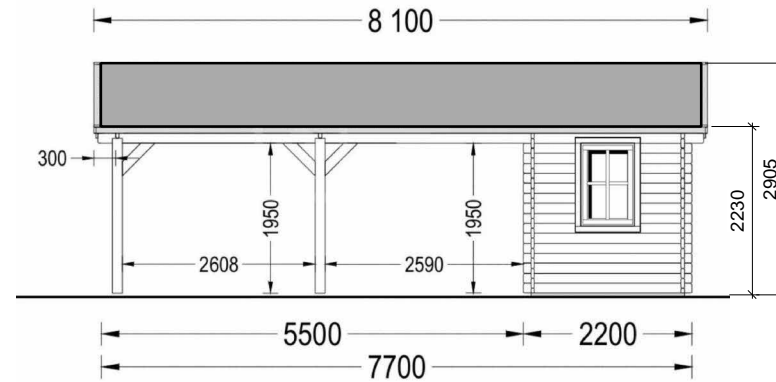
**Manufacturer's Illustration**

**General Notes**

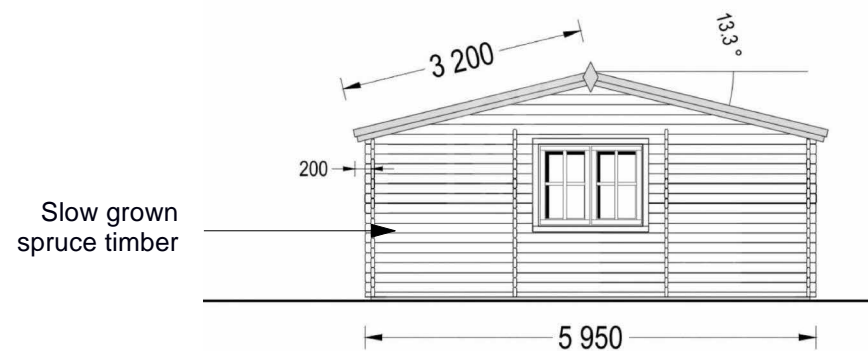
1. THIS IS AN A3 DRAWING, IF REPRODUCED IN ANY C FORMAT THE SCALE SHOWN WILL BE INCORRECT
2. Do not scale off this drawing for construction
3. Any ambiguities, omissions and errors on this drawing should be notified immediately to the Architect before the commencement of works on site
4. All dimensions are in millimetres unless otherwise stated
5. All dimensions, unless otherwise indicated, are to the face of unfinished block walls or to the stud face of stud partitions
6. All dimensions are to be checked on site. Any discrepancies are to be notified immediately to the Architect before the commencement of works on site
7. All levels are in meters unless otherwise stated
8. This drawing is to be read in conjunction with all other relevant drawings and specifications for this project



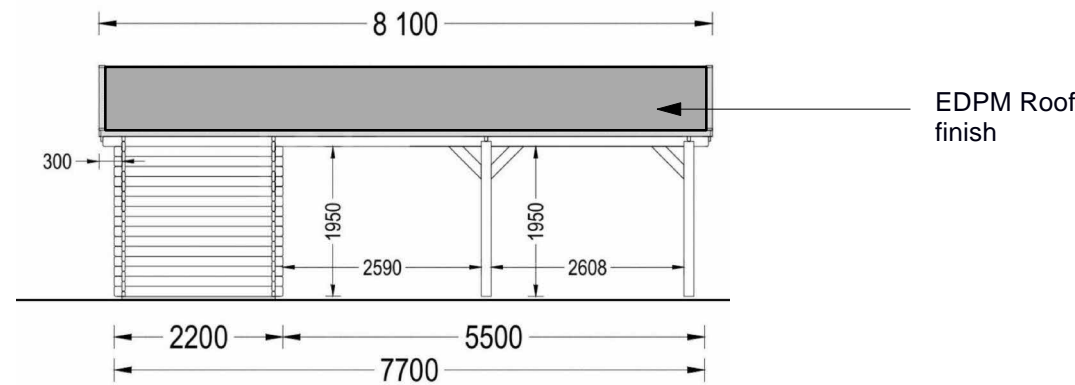
**PROPOSED SOUTH WEST ELEVATION**  
(1:100)



**PROPOSED SOUTH EAST ELEVATION**  
(1:100)



**PROPOSED NORTH EAST ELEVATION**  
(1:100)



**PROPOSED NORTH WEST ELEVATION**  
(1:100)

Date	By	Chck'd	Rev	Description
January 2024	SO			Project
				Barn Rebuild
				Cliff Mill House
				Southwell Road
				Lowdham

Job Number  
**2301**

Drawing Title  
Proposed Carport

Drg. No. Rev. No.  
**P100 -**



**RMO Architectural**  
Architectural Design  
PO Box 7988, Arnold, Nottingham, NG5 5ZU  
T +44 (0) 844 248 0045  
E info@rmo-architectural.co.uk  
W www.rmo-architectural.co.uk

