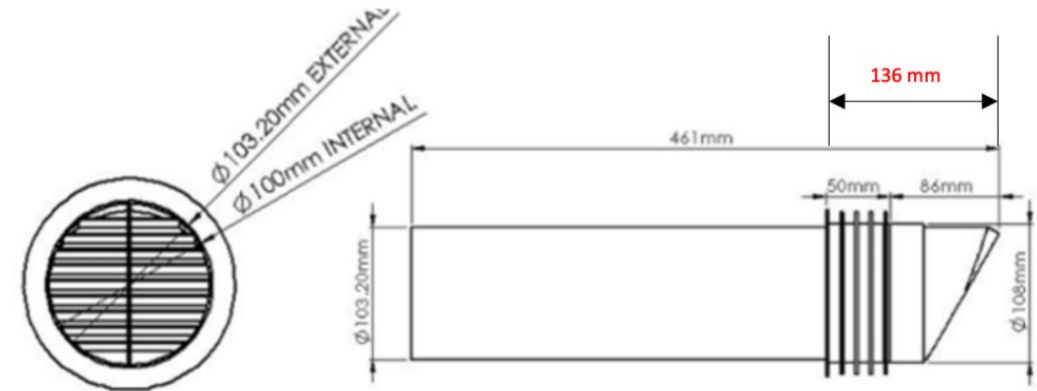
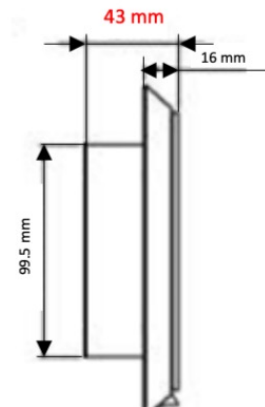
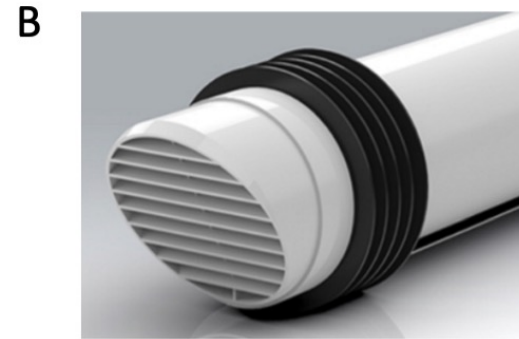
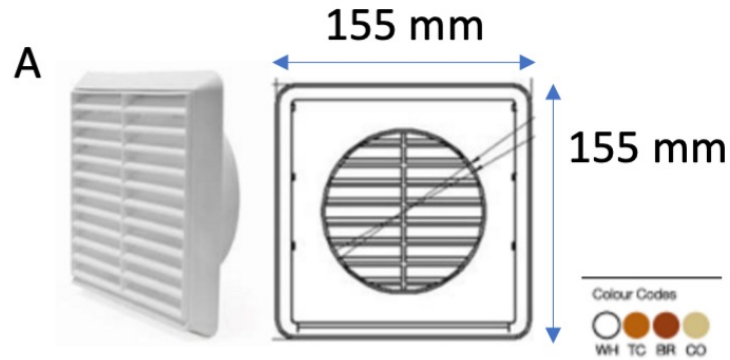


# Measurements of external extractor unit



Red measures show the maximum protrusion from the building wall for model A and model B.