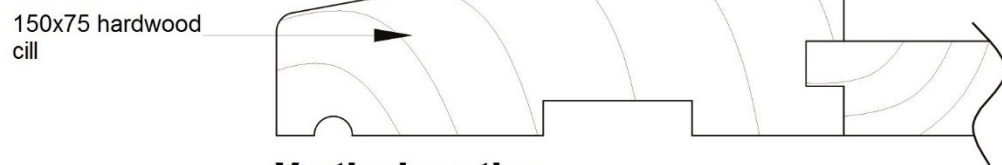
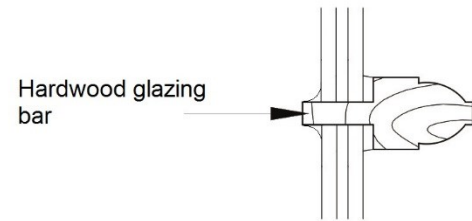
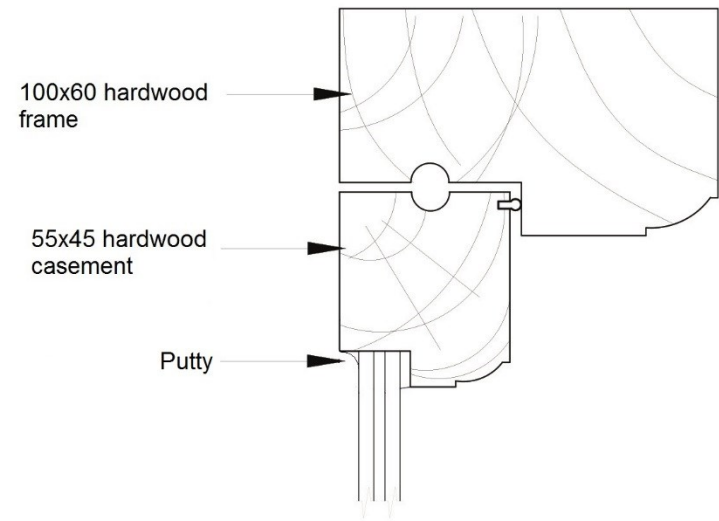
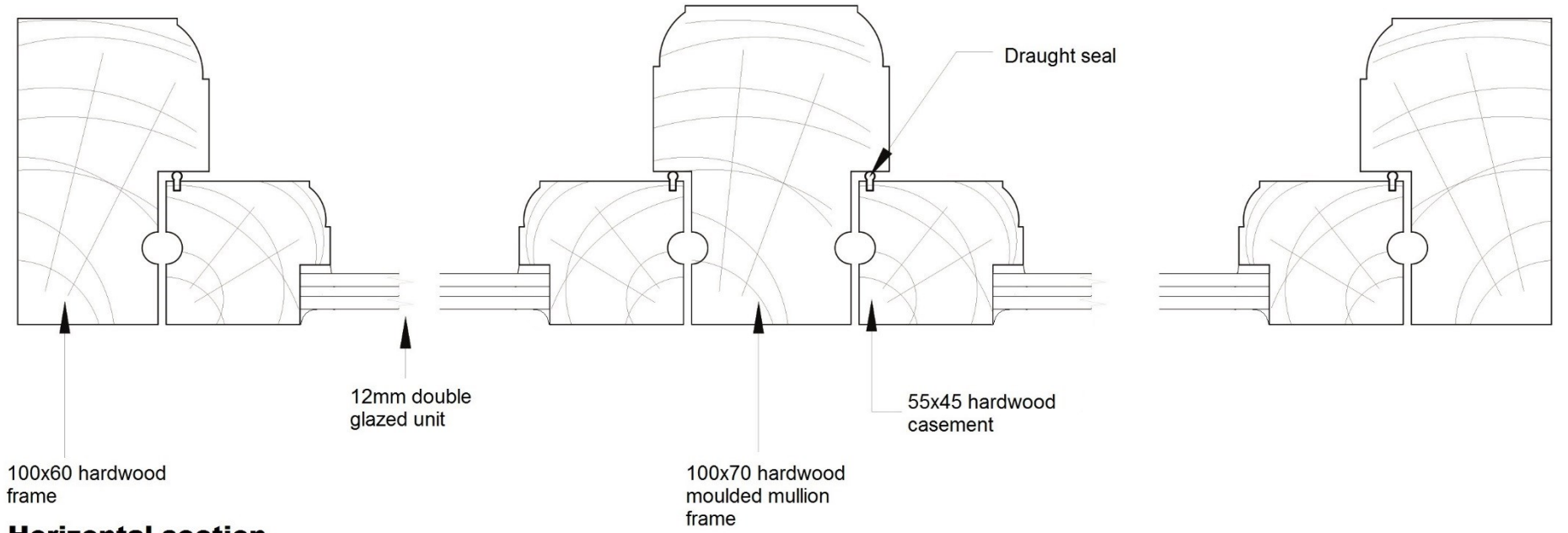


Proposed Window Details
Church Farm
Cavendish
CO10 8BP

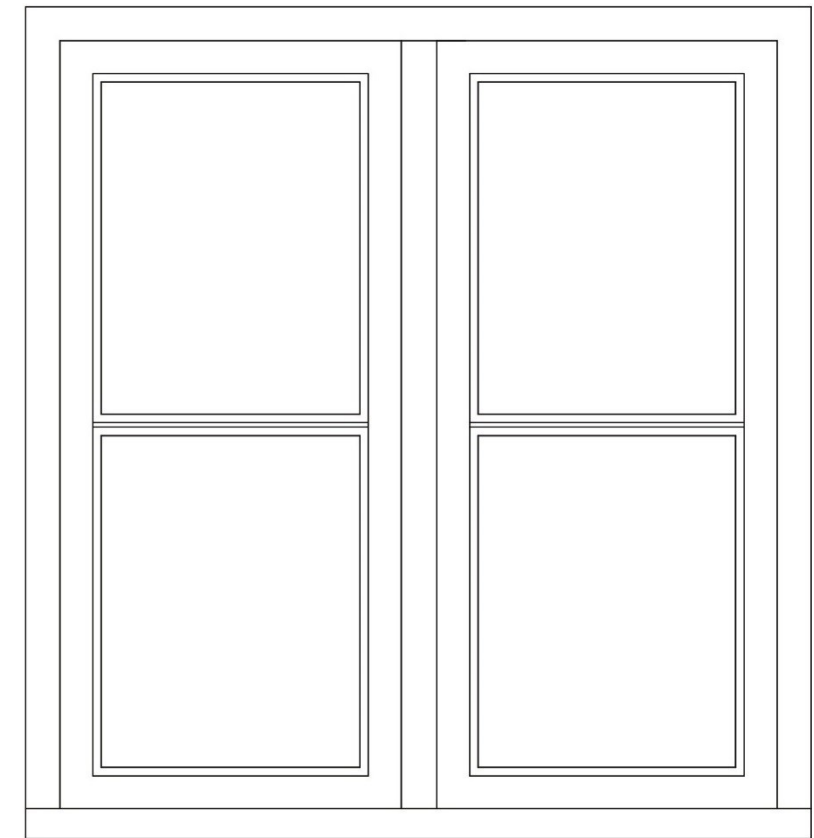
All windows to be finished in white to match existing



Vertical section
1:2 on A3



Horizontal section
1:2 on A3



Typical window elevation
1:10 on A3