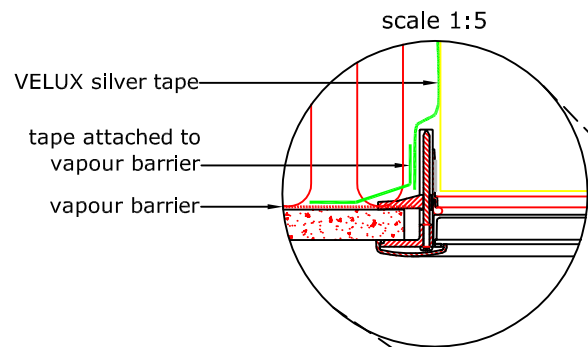


PLAN VIEW

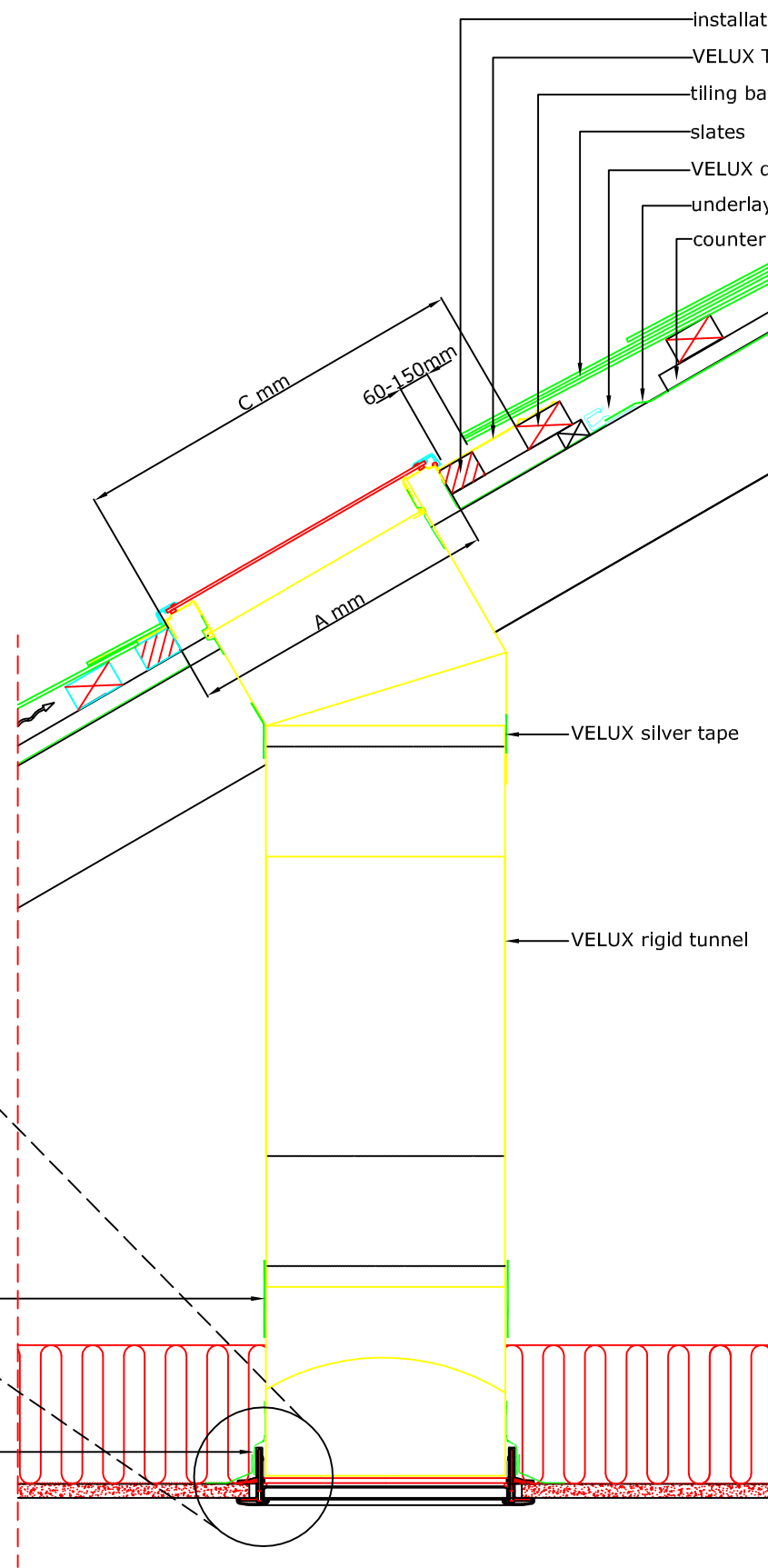
	A mm	B mm	C mm
010"	350	340-380	550
014"	450	440-480	650

SETTING OUT

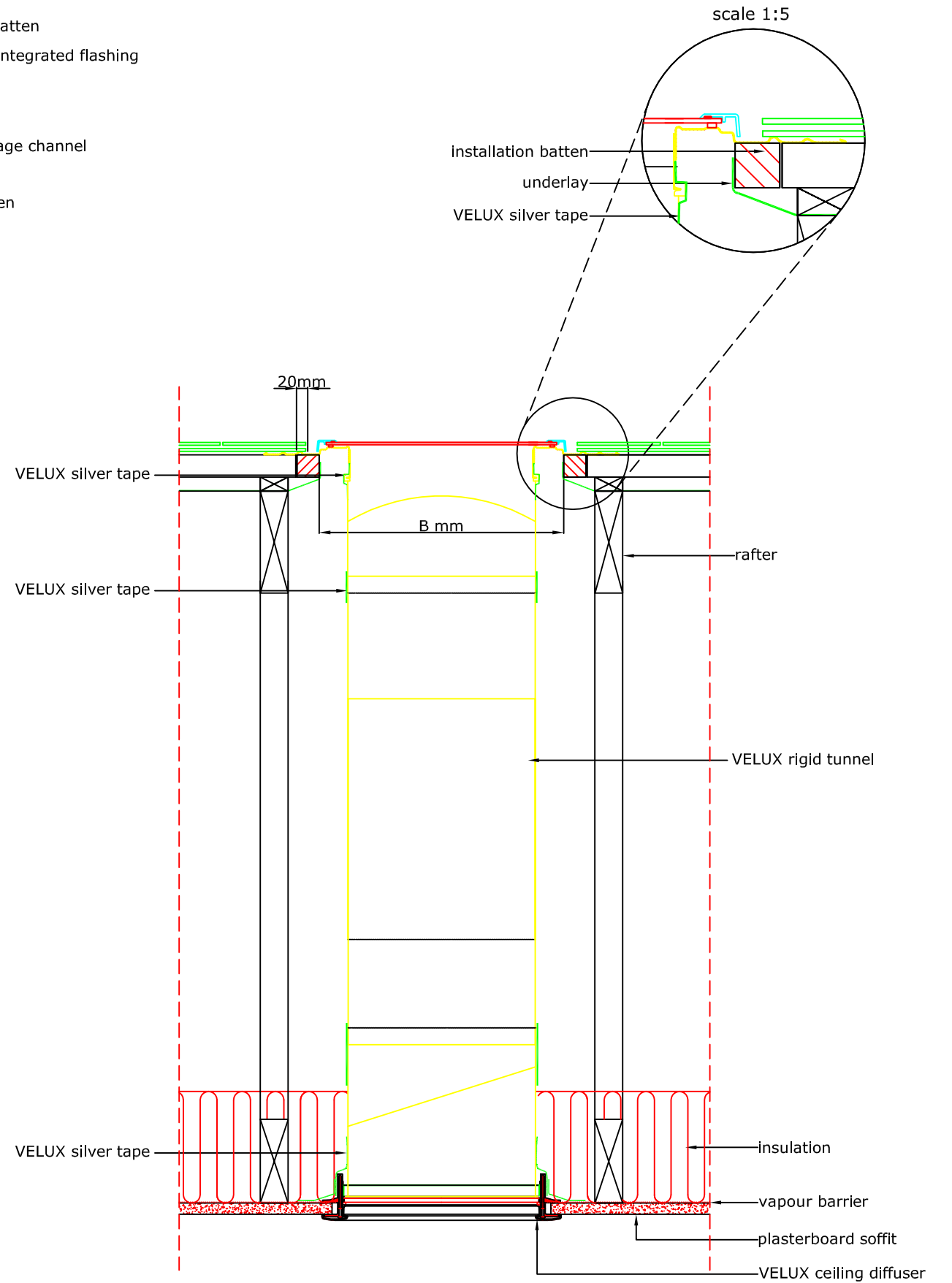


all joints must be sealed with VELUX silver tape

VELUX silver tape



SECTION A-A



SECTION B-B



VELUX Company Ltd
Woodside Way
Glenrothes, Fife KY7 4ND

VELUX Sun Tunnel
Rigid sun tunnel into slate
consisting of sun tunnel and diffuser assembly
All dimensions are in millimetres where shown

NOTE!
When installing VELUX Sun Tunnels, please ensure compliance with building regulations and British/European standards where necessary. This detail represents the principles of a typical installation only and the design and specification of the final detail is the responsibility of others.

TLR sun tunnel:
Slate:
Roof pitch range: 15° to 60°

Date: **February 2013**
Rev no: **A**
Rev date: **09Jan14**
Drawn: **PJH**

File name:
TLR-VGB-0213-2001
Scale: **1:10 approx. @ A3**